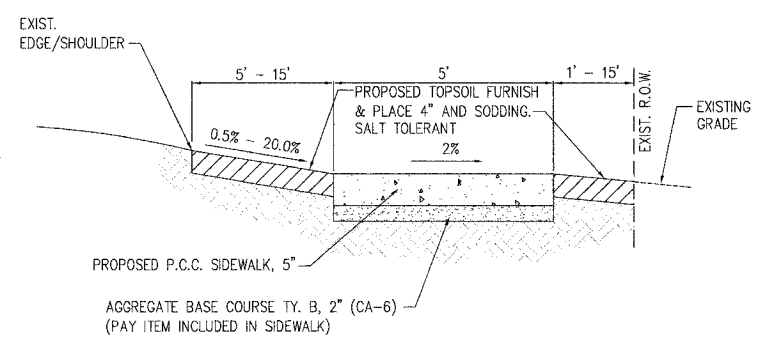
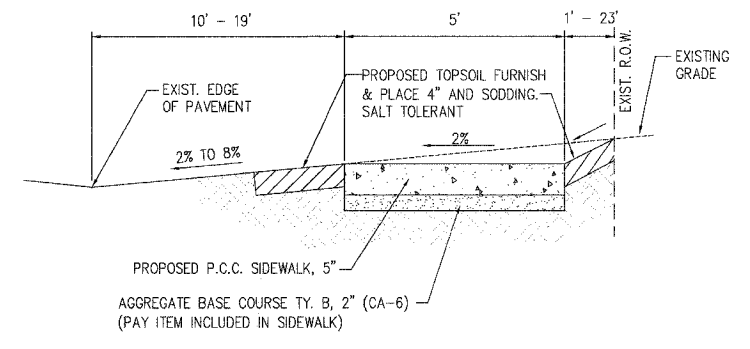


F.A.P. RTE.	SECTION	COUNTY	TOTAL SHEETS	SHEET NO.
-	06-00045-00-SW	COOK	11	3
FEDERAL RD. DIST. NO.		ILLINOIS	FEDERAL AID PROJECT	
CONTRACT: 83966				



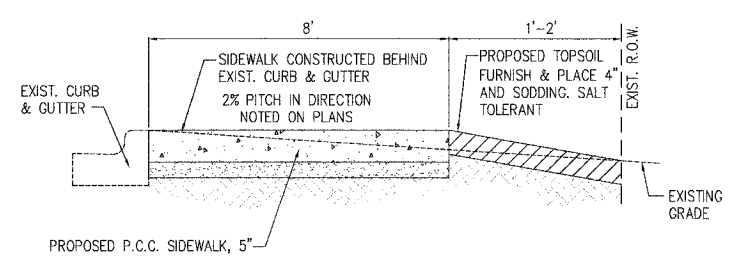
EXISTING & PROPOSED TYPICAL SECTION

HAPP ROAD
 STA. 104+90 TO STA. 107+00
 (SHEET 8 OF 9)



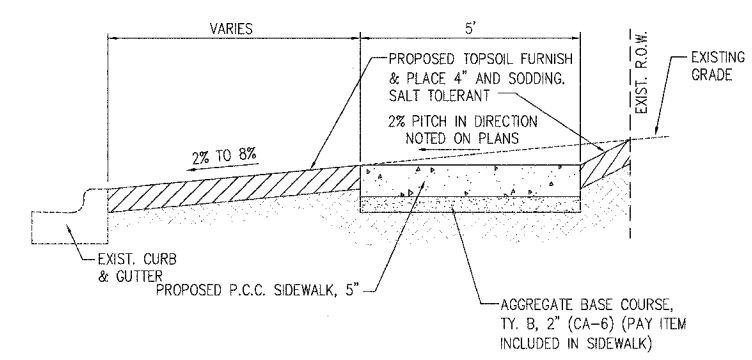
EXISTING & PROPOSED TYPICAL SECTION

HAPP ROAD
 STA. 107+00 TO STA. 110+40
 (SHEETS 9 OF 9)
 HAPP ROAD
 STA. 100+25 TO STA. 104+90
 (SHEETS 8 OF 9)



EXISTING & PROPOSED TYPICAL SECTION

HAPP ROAD
 STA. 19+20 TO STA. 21+90
 (SHEETS 6 AND 7 OF 9)



EXISTING & PROPOSED TYPICAL SECTION

HAPP ROAD
 STA. 24+95 TO STA. 26+10
 (SHEET 7 OF 9)
 HAPP ROAD
 STA. 15+40 TO STA. 19+20
 (SHEET 6 OF 9)

HMA MIXTURE REQUIREMENTS		
PAY ITEM	AC TYPE	VOIDS
HMA DRIVEWAY		
HOT MIX ASPHALT SURFACE COURSE, MIX 'C', N50 (IL 9.5MM) 2"	PG 64-22	4% @ 50 GYR
HMA BASE CSE (HMA BINDER IL-19MM) PE=6" CE=8"	PG 64-22*	4% @ 50 GYR

THE UNIT WEIGHT USED TO CALCULATE ALL HMA SURFACE MIXTURE QUANTITIES IS 112 LBS/SQ YD/IN.
 * WHEN RAP EXCEEDS 20% THE NEW ASPHALT BINDER IN THE MIX SHALL BE PG 58-22

Scale For Microfinishing
 Millimeters

Inches

COPYRIGHT © 2007 BURNS & MCDONNELL ENGINEERING COMPANY, INC.



date	05-15-07	detailed	D. CHAVEZ
designed	J.LeROY	checked	A.BRYANT



VILLAGE of NORTHFIELD	
2005 HAPP ROAD CMAQ TYPICAL SECTIONS	
project	contract
42272	
drawing	rev.
G003	
sheet 3	of 11 sheets
file 42272G003.dwg	