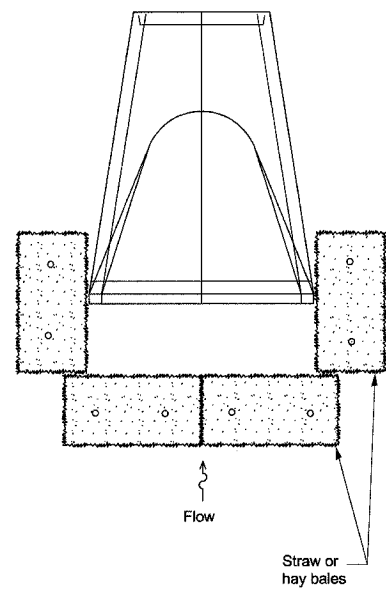
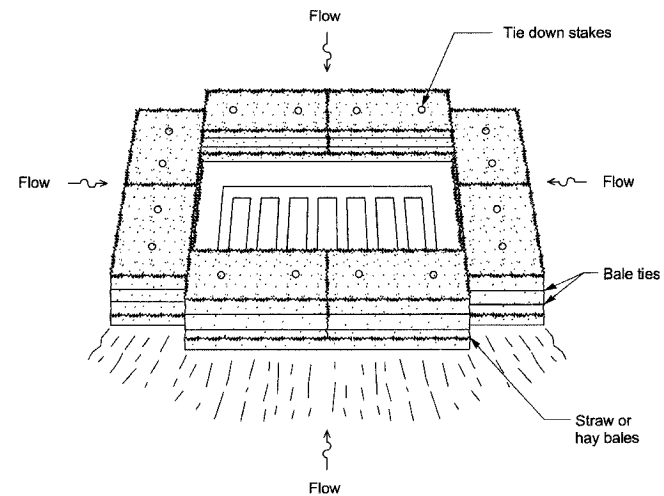
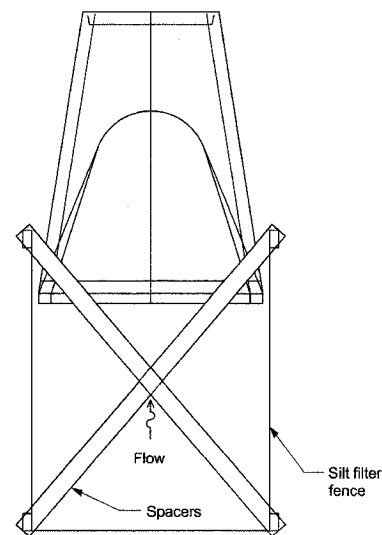


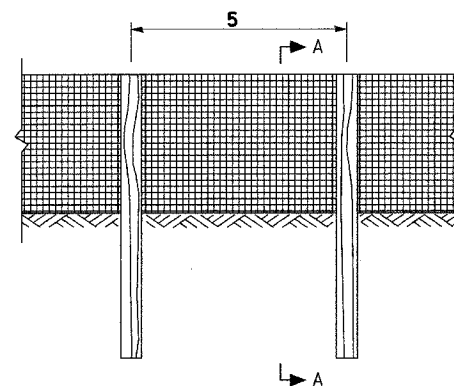
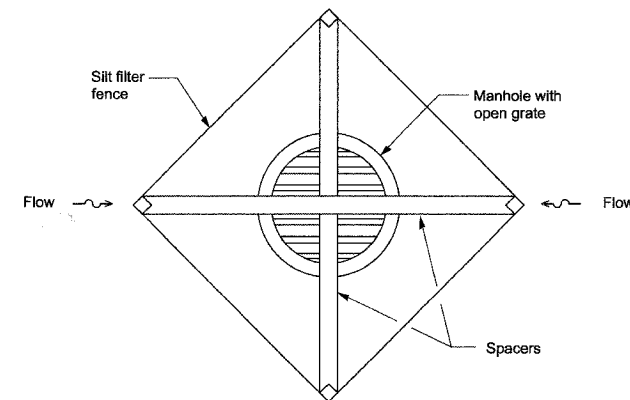
REL#	SECTION	COUNTY	TOTAL SHEETS	SHEET NO.
2744	06-00241-00-PV	COOK	115	35
STA.		TO STA.		
XX-XXXX-XX-XX		ALWAYS	SURFACE TRANSPORTATION FUNDING	
CONTRACT NUMBER 83968				



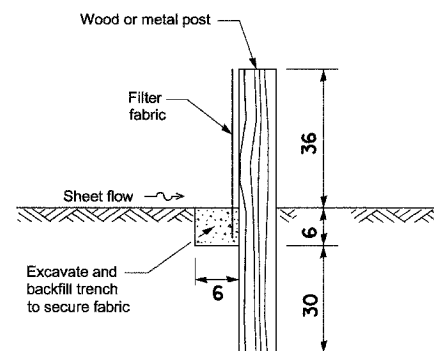
INLET AND PIPE PROTECTION



INLET AND PIPE PROTECTION

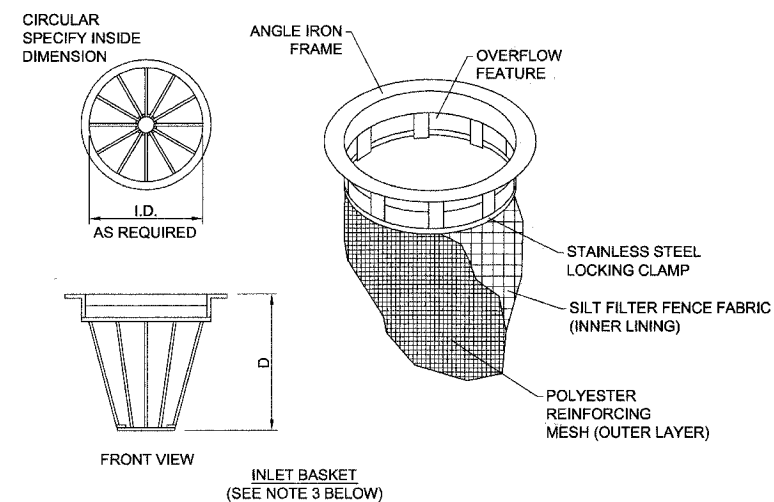


ELEVATION



SECTION A-A

SILT FILTER FENCE AS A PERIMETER EROSION BARRIER



INLET BASKET (SEE NOTE 3 BELOW)

NOTES:

1. FILTER FABRIC INLET PROTECTION SHALL CONSIST OF INLET BASKET AND FABRIC INSERT.
2. DEVICE SHALL BE EQUIPPED WITH AN OVERFLOW FEATURE SO DRAINAGE TO INLET IS NOT COMPLETELY BLOCKED IF DEVICE IS FULL OF SILT. DESIGNER SHALL VERIFY THAT OVERFLOW FEATURE HAS CAPACITY TO HANDLE RUNOFF REACHING STRUCTURES WITHIN SAGS. IF OVERFLOW FEATURE DOES NOT HAVE THE CAPACITY, DESIGNERS SHALL PROVIDE ALTERNATE TYPE OF CONTROL DEVICE TO INSURE AREA SURROUNDING THE STRUCTURE DOES NOT FLOOD.
3. INLET BASKET IS AVAILABLE TO FIT ROUND, RECTANGULAR, BEEHIVE OR CURB INLET CASTINGS.
4. MAINTENANCE SHALL BE PERFORMED AS NEEDED. REMOVE SILT FROM FABRIC INSERT WHEN 50% OF CAPACITY IS REACHED. REMOVE SILT FROM INTERIOR AND EXTERIOR OF INLET DAM WHEN 50% OF DAM HEIGHT IS REACHED.

APPLICATION: TO BE USED ONLY WITHIN PAVED AREAS WHEN DISTURBED TURF AREAS DRAIN TO PAVED AREAS. USE IN CONJUNCTION WITH ADDITIONAL UPSTREAM PROTECTIVE MEASURES SUCH AS SILT FENCE. INLET DAM NOT TO BE USED AT PAVEMENT SAGS.

REVISIONS	

CITY OF EVANSTON
**EROSION CONTROL
 DETAILS**
 RIDGE AVENUE IMPROVEMENT

DATE: 8/31/2007
 DESIGNED BY: RAM
 TECHNICIAN: AK
 CHECKED BY: WCM