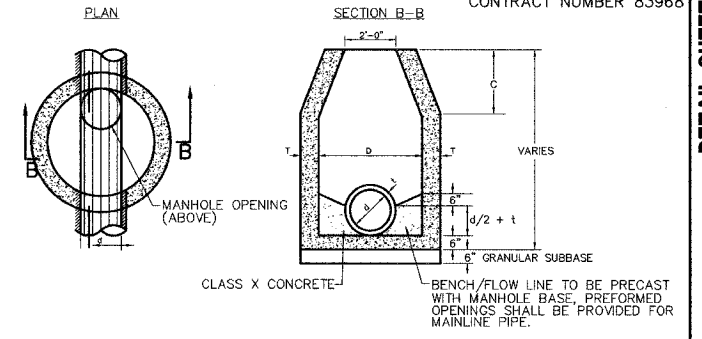
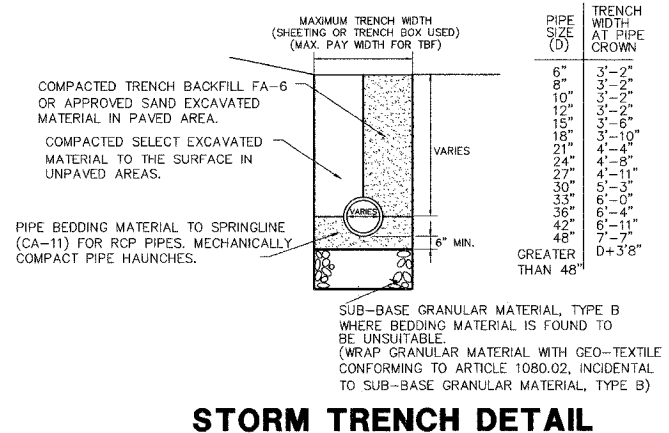
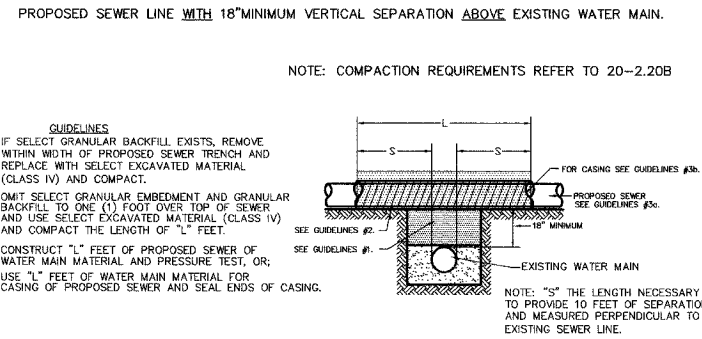
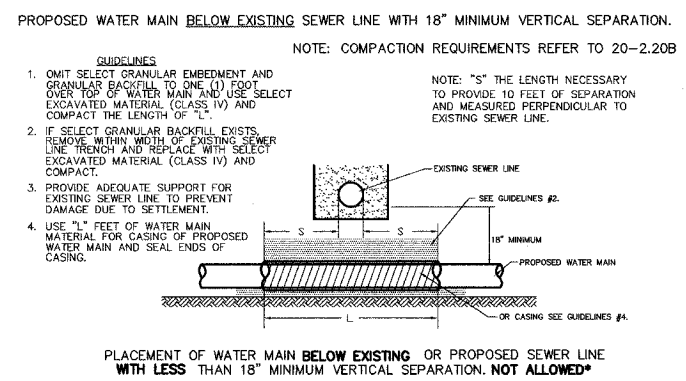
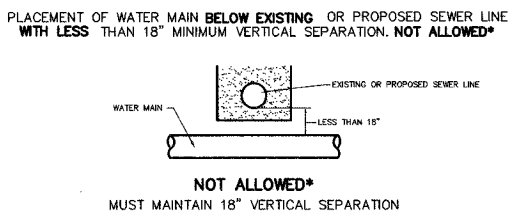


|                                   |                |        |              |           |
|-----------------------------------|----------------|--------|--------------|-----------|
| F.A.P. R.T.E.                     | SECTION        | COUNTY | TOTAL SHEETS | SHEET NO. |
|                                   | 06-00241-00-PV | COOK   | 115          | 50        |
| <b>STORM SEWER RELIEF DETAILS</b> |                |        |              |           |
| ILLINOIS                          |                |        |              |           |
| CONTRACT NUMBER 83968             |                |        |              |           |



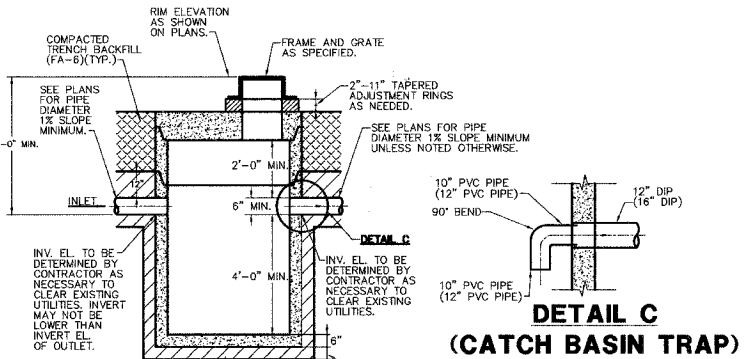
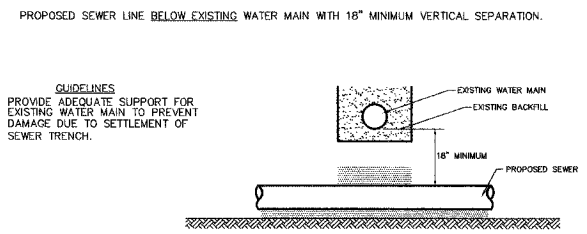
- ALTERNATE MATERIALS FOR WALLS**
- | PRECAST REINFORCED CONCRETE SECTIONS | D     | C     | T (MIN.) |
|--------------------------------------|-------|-------|----------|
|                                      | 4'-0" | 2'-0" | 4"       |
|                                      | 5'-0" | 3'-0" | 5"       |
- ALL MANHOLE BASES SHALL BE FURNISHED WITH FLEXIBLE SLEEVES PER A.S.T.M. C-923 FOR CONNECTION OF MAINLINE PIPE.
  - MANHOLE TYPE "A" TO BE PROVIDED WITH FRAME AND CLOSED LID.
  - EXTERIOR NEOPRENE CHIMNEY SEAL REQUIRED ON ALL MANHOLE RIMS.
- \*\*\* FOR OPTIONAL PRECAST CONCRETE FLAT SLAB TOP REFER TO IDOT STANDARD 602406

**DETAIL OF MANHOLE TYPE A**  
(4 FT. AND 5 FT. DIAMETER)

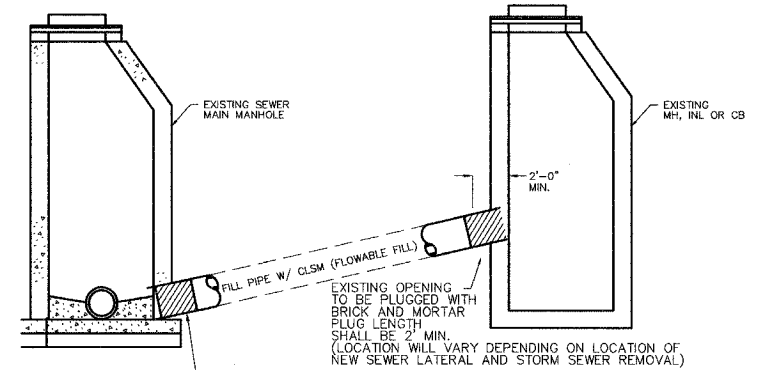
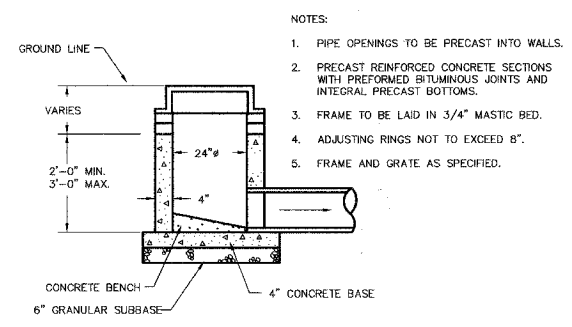


**WATER AND SEWER SEPARATION REQUIREMENTS**

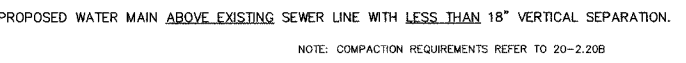
**WATER AND SEWER SEPARATION REQUIREMENTS**



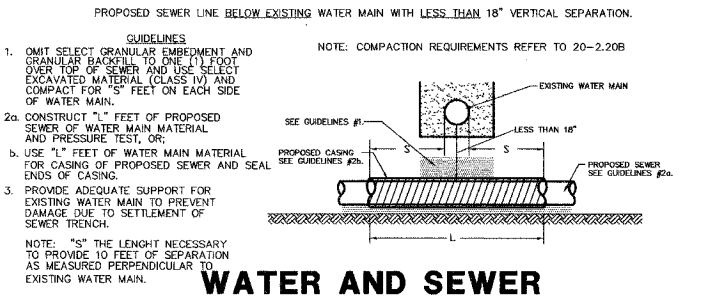
**DETAIL OF CATCH BASIN TYPE A (PRECAST)**



**PLUG AND ABANDON EXISTING PIPE**  
(MANHOLE, INLET OR CATCH BASIN)

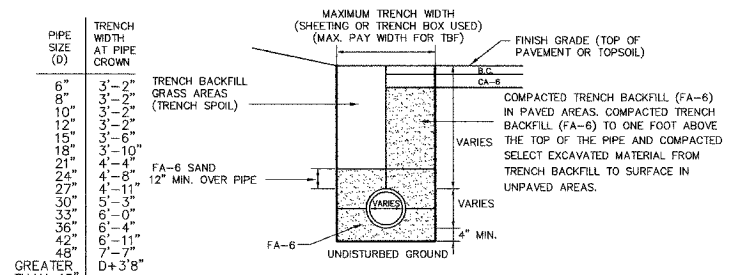
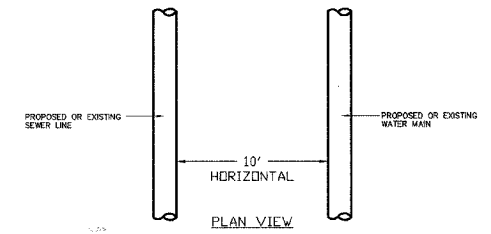


**WATER AND SEWER SEPARATION REQUIREMENTS**



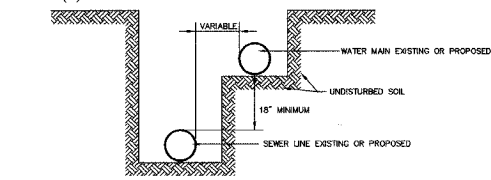
**WATER AND SEWER SEPARATION REQUIREMENTS**

WHEN PROPOSED SEWER (OR WATER) IS LOCATED 10 FEET OR MORE FROM EXISTING WATER (OR SEWER), NO SPECIAL CONSTRUCTION REQUIRED. SEE SECTION 41-2.01B (1)

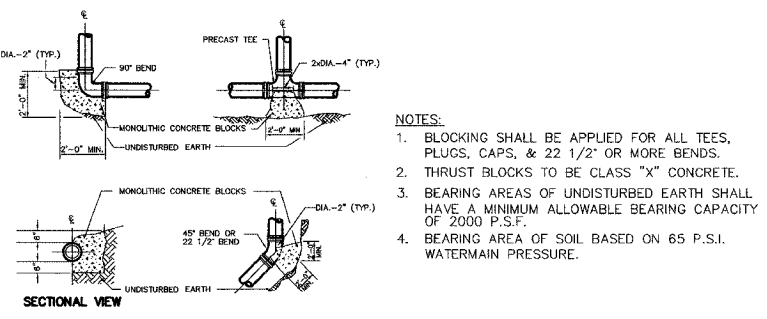


**WATERMAIN TRENCH DETAIL**

WHEN PROPOSED SEWER (OR WATER) IS LOCATED LESS THAN 10 FEET FROM EXISTING WATER (OR SEWER), DETAILS BELOW SHALL APPLY. SEE SECTION 41-2.01B (2)



**WATER AND SEWER SEPARATION REQUIREMENTS**



**THRUST BLOCKING**

| NO. | BY  | DATE    | REVISION                     |
|-----|-----|---------|------------------------------|
| 3   | SD8 | 8-28-07 | PER IDOT COMMENTS            |
| 2   | KD  | 7-27-07 | PER IDOT COMMENTS ON 7/24/07 |
| 1   | DSM | 5-18-07 | FIRST SUBMITTAL              |