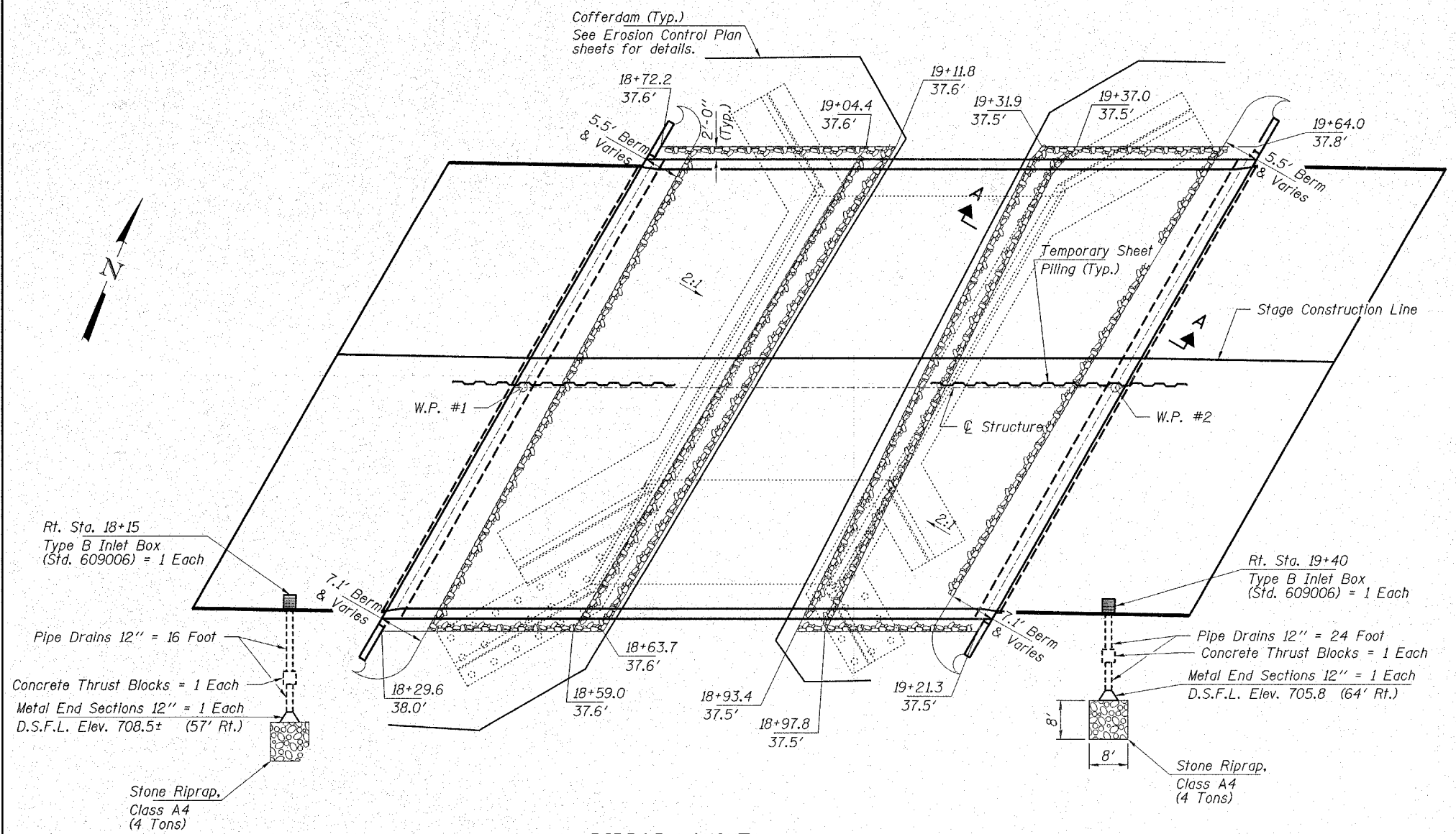
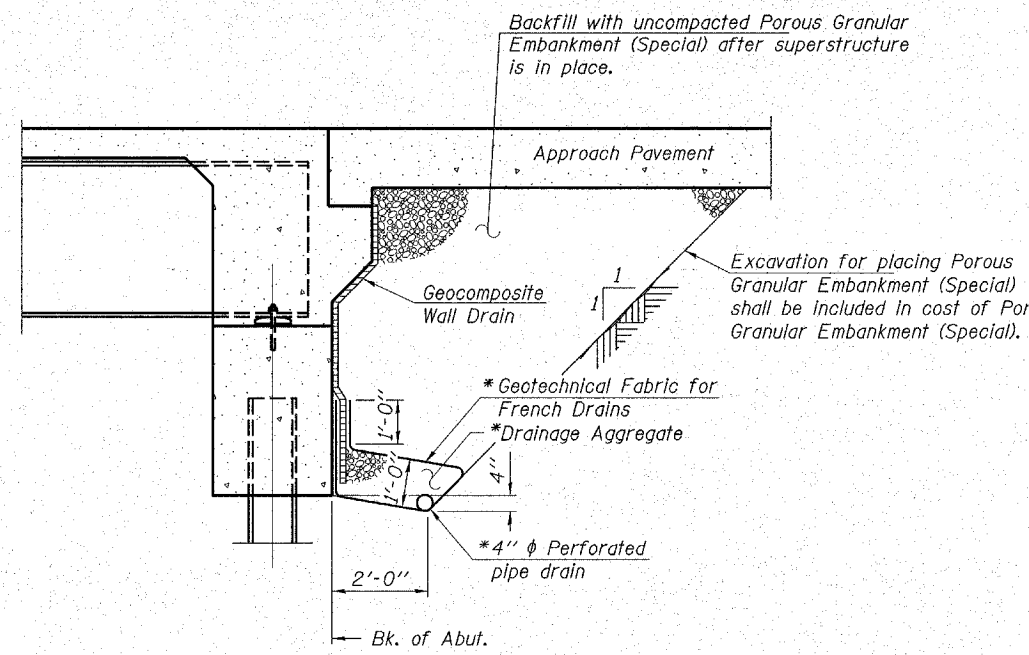


ROUTE NO.	SECTION	COUNTY	TOTAL SHEETS	SH. N.
F.A.S. 2111	01-00268-00-BR	KANE	70	1
FED. ROAD DIST. NO.		ILLINOIS	CONTRACT NO. 8397	

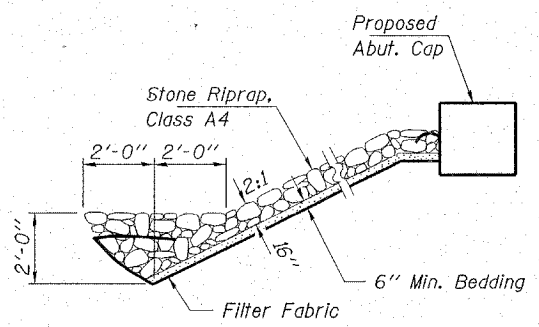


Note: Inlet Box and pipe drains shall be located in the field to miss guardrail (TBT Ty 6) posts.



\* Included in the cost of Pipe Underdrains for Structures.

Note: All drainage system components shall extend to 2'-0" from the end of each wingwall except an outlet pipe shall extend until intersecting with the side slopes. The pipes shall drain into concrete headwalls. (See Article 601.05 of the Standard Specifications and Highway Standard 601101).



**HAMPTON, LENZINI & RENWICK, INC.**  
CIVIL & STRUCTURAL ENGINEERS  
LAND SURVEYORS

3085 STEVENSON DRIVE, SUITE 201  
SPRINGFIELD, ILLINOIS 62703  
(217) 546-3400

ELGIN • SPRINGFIELD

PROJECT NUMBER: 12-05-0050-1 DATE: 08/29/07  
DESIGNED: R.I.P. CHECKED: S.W.M. DRAWN: D.A.B.

**RIPRAP DETAILS**  
**SECTION 01-00268-00-BR**  
**F.A.S. 2111 / FABYAN PARKWAY**  
**KANE COUNTY**  
**STATION 18+97 / STRUCTURE NO. 045-3019**