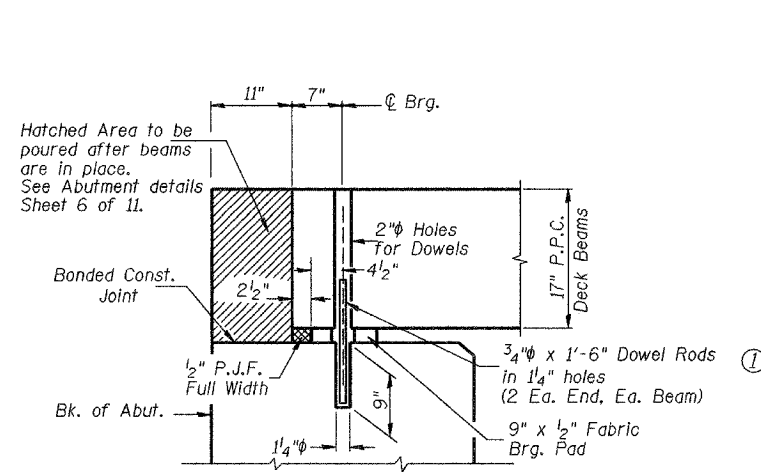
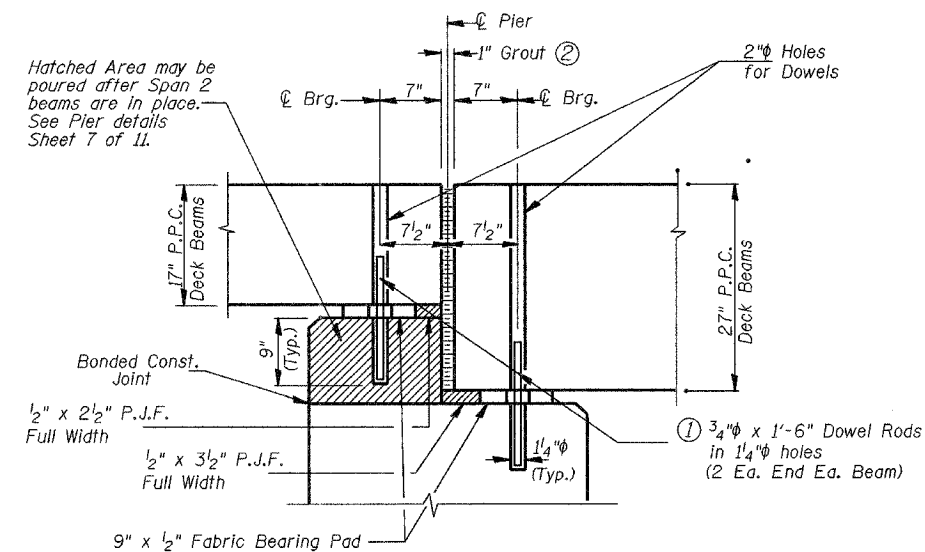


RAIL POST SPACING



SECTION THRU ABUTMENTS



SECTION THRU PIERS

- ① Dowel Rods to be grouted after beams are in place and allowed to cure (Min. 24 hr.) prior to grouting the shear keys.
- ② 1" Joint shall be packed with a very dry mix of 2:1 sand and P.C. mortar. 1" Dimension may vary plus or minus to accommodate tolerance in beam lengths.

**SUPERSTRUCTURE DETAILS
AND RAIL POST SPACING
T.R. 434 OVER MUD CREEK
SECTION 06-26102-01-BR
IROQUOIS COUNTY
STATION 20+00.00**