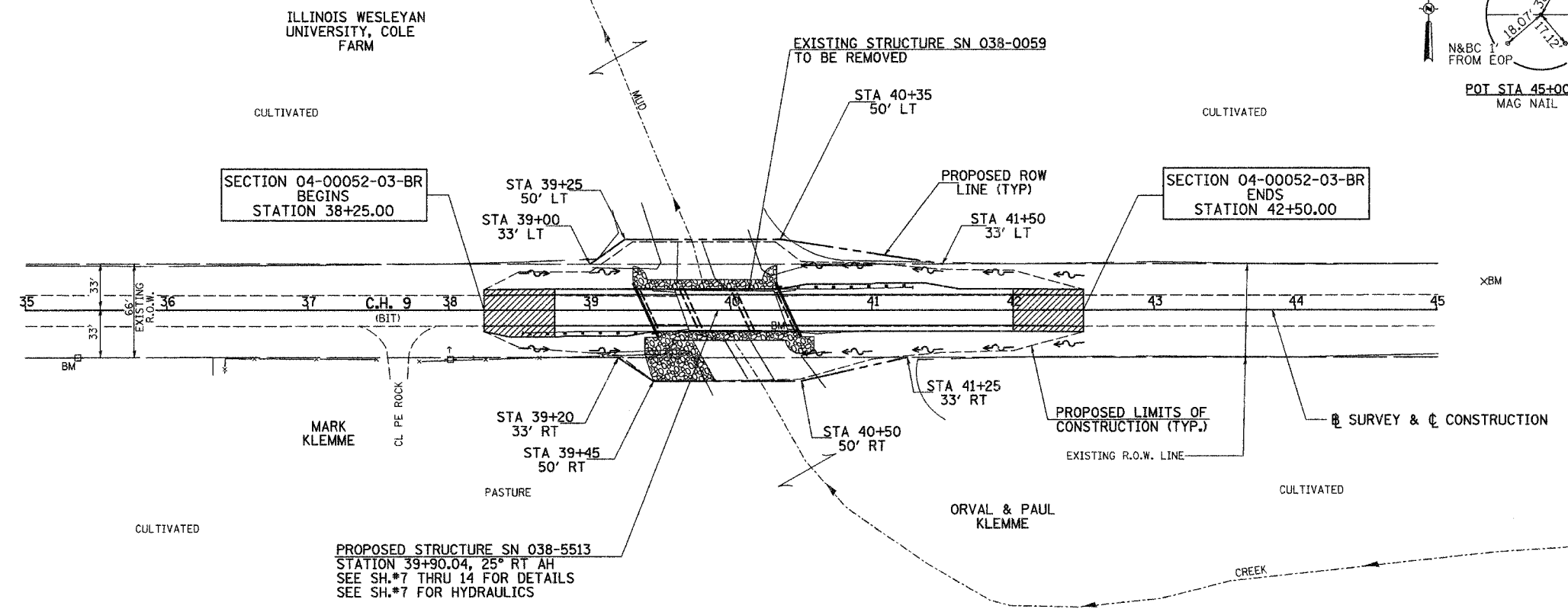
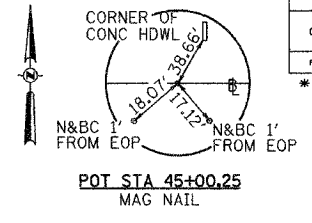
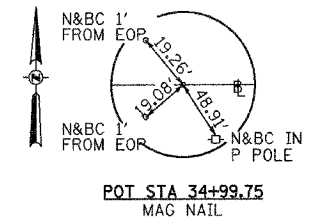


T 25 N, R 10 W, 2nd PM
SECTION 19

ROUTE NO.	SECTION	COUNTY	TOTAL SHEETS	SHEET NO.
CH 9	*	ILLINOIS	17	6
FED. ROAD DIST. NO. 7		ILLINOIS	PROJECT BRS-334(112)	
*04-00052-03-BR			CONTRACT #87357	



- LEGEND**
- TRANSITION TO OR FROM EXISTING TO PROPOSED TYPICAL PAVEMENT
 - PROPOSED RIPRAP PLACEMENT
 - SPECIAL DITCH WITH FLOW DIRECTION

T 25 N, R 10 W, 2nd PM
SECTION 19

