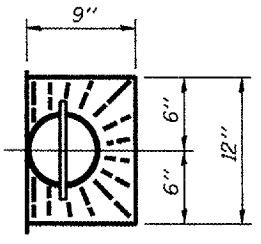
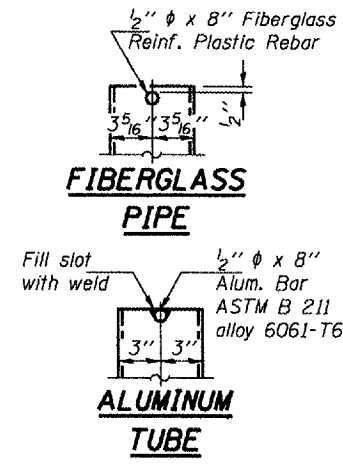


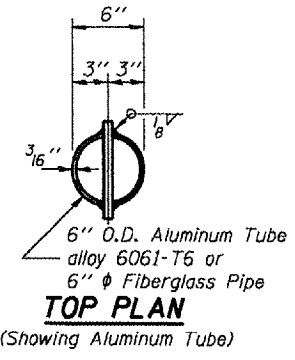
SECTION THRU SIDEWALK



TOP PLAN



Notes:
 The exterior surfaces of the floor drains shall be free of bond inhibiting agents. The exterior surfaces of the drains shall be coated by the manufacturer with a pigment that matches the color of the concrete.
 Fiberglass pipe shall conform to ASTM D 2996, with short-time rupture strength hoop tensile stress of 30,000 p.s.i. minimum.

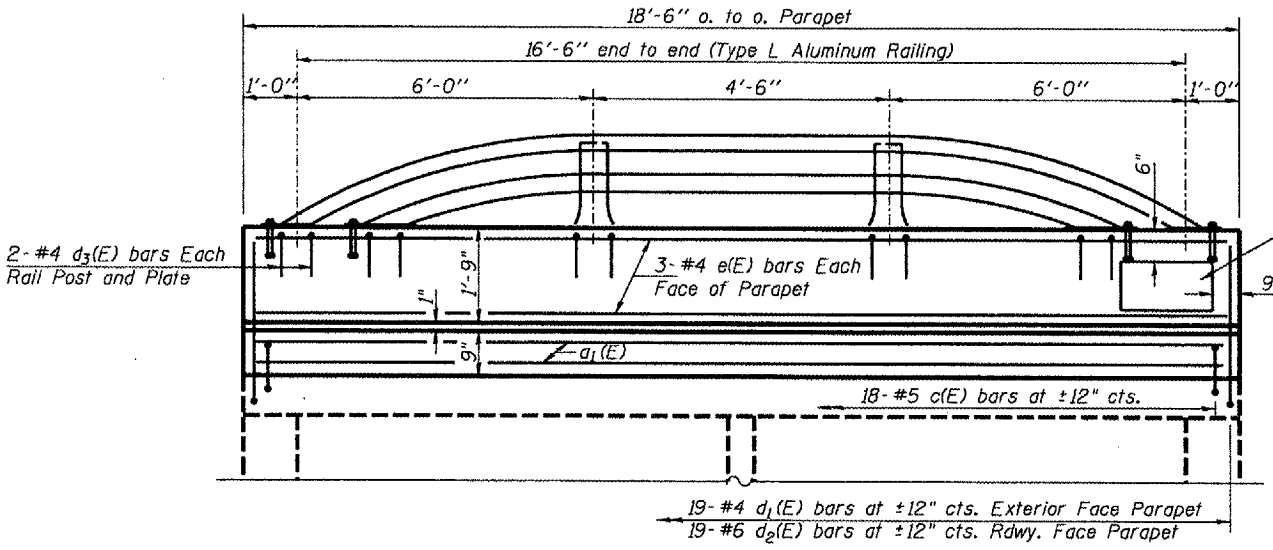


TOP PLAN (Showing Aluminum Tube)

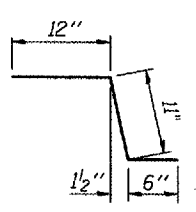
BILL OF MATERIAL

Bar	No.	Size	Length	Shape
a(E)	74	#6	18'-6"	U
a1(E)	50	#6	17'-3"	—
a2(E)	31	#6	9'-0"	—
a3(E)	73	#6	19'-6"	U
a4(E)	33	#6	18'-3"	—
a5(E)	31	#6	9'-0"	—
c(E)	36	#5	2'-5"	—
c1(E)	36	#5	5'-7"	—
d(E)	38	#4	4'-6"	—
d1(E)	38	#4	3'-9"	—
d2(E)	38	#6	3'-9"	—
d3(E)	24	#4	2'-0"	—
e(E)	12	#4	18'-3"	—
h(E)	45	#5	22'-3"	—
h1(E)	45	#5	25'-3"	—
h2(E)	47	#5	22'-3"	—
h3(E)	47	#5	25'-3"	—
h4(E)	8	#6	18'-3"	—
h5(E)	9	#4	8'-0"	—
h6(E)	9	#4	9'-3"	—
h7(E)	16	#4	8'-0"	—
h8(E)	11	#4	11'-6"	—
h9(E)	10	#4	8'-0"	—
h10(E)	9	#4	10'-6"	—
h11(E)	10	#4	8'-0"	—
h12(E)	9	#4	10'-3"	—
h13(E)	64	#4	4'-4"	—
s(E)	18	#4	3'-1"	—
v(E)	151	#5	6'-4"	—
v1(E)	16	#4	9'-7"	—
v2(E)	98	#5	6'-1"	—
Reinforcement Bars, Epoxy Coated		Pound	15370	
Concrete Box Culverts		Cu. Yd.	92.2	

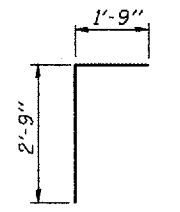
Reinforcement Bars designated (E) shall be epoxy coated.



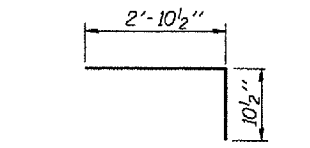
INSIDE ELEVATION OF PARAPET & RAIL
(Showing parapet and sidewalk reinforcement)



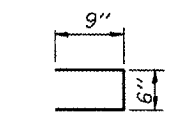
BAR c(E)



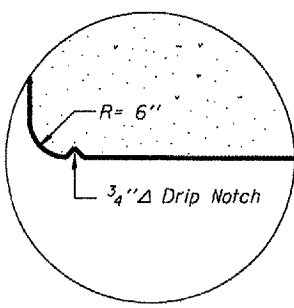
BAR d(E)



BARS d1(E) & d2(E)



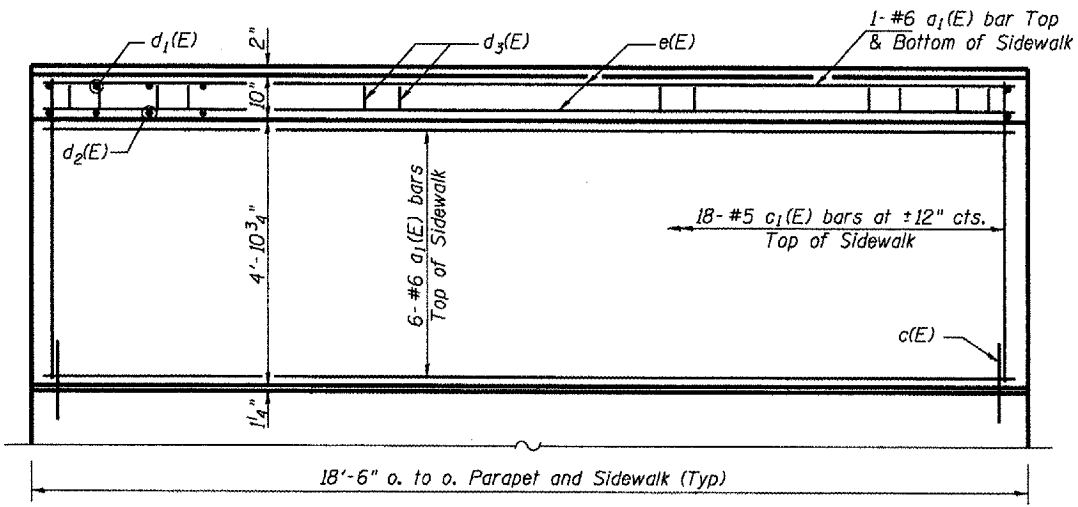
BAR d3(E)



DETAIL A
(At Upstream End Only)

h5(E)	5'-0"	2'-7 1/8"
h6(E)	6'-3"	2'-7 1/8"
h7(E)	5'-0"	2'-1 1/2"
h8(E)	8'-6"	2'-1 1/2"
h9(E)	5'-0"	2'-9 1/8"
h10(E)	7'-6"	2'-9 1/8"
h11(E)	5'-0"	2'-7 1/8"
h12(E)	7'-3"	2'-7 1/8"

BARS h5(E), h6(E), h7(E), h8(E), h9(E), h10(E), h11(E) & h12(E)



SIDEWALK PLAN

LIN ENGINEERING, LTD.
 20 N. Chestnut
 (202) 483-688
 Chatham, Illinois 61829
 FAX (202) 483-4105
 Designed By: MK
 Date: 03/2004
 Checked By: MTH
 Drawn By: JMD
 File: 052500.DGN

REVISIONS	
NAME	DATE

ILLINOIS DEPARTMENT OF TRANSPORTATION
CULVERT DETAILS
 F.A. RTE 315 (U.S. ROUTE 136)
 OVER CAMP CREEK TRIBUTARY
 SECTION (108B)BR
 McDONOUGH COUNTY
 STA. 143+07.44
 S.N. 055-2500