

ROUTE NO.	SECTION	COUNTY	TOTAL SHEETS	SHEET NO.
F.A.P. 315	(108B)BR, BR-1	McDonough	80	65
DIST. NO. 4		ILLINOIS		

contract 88799

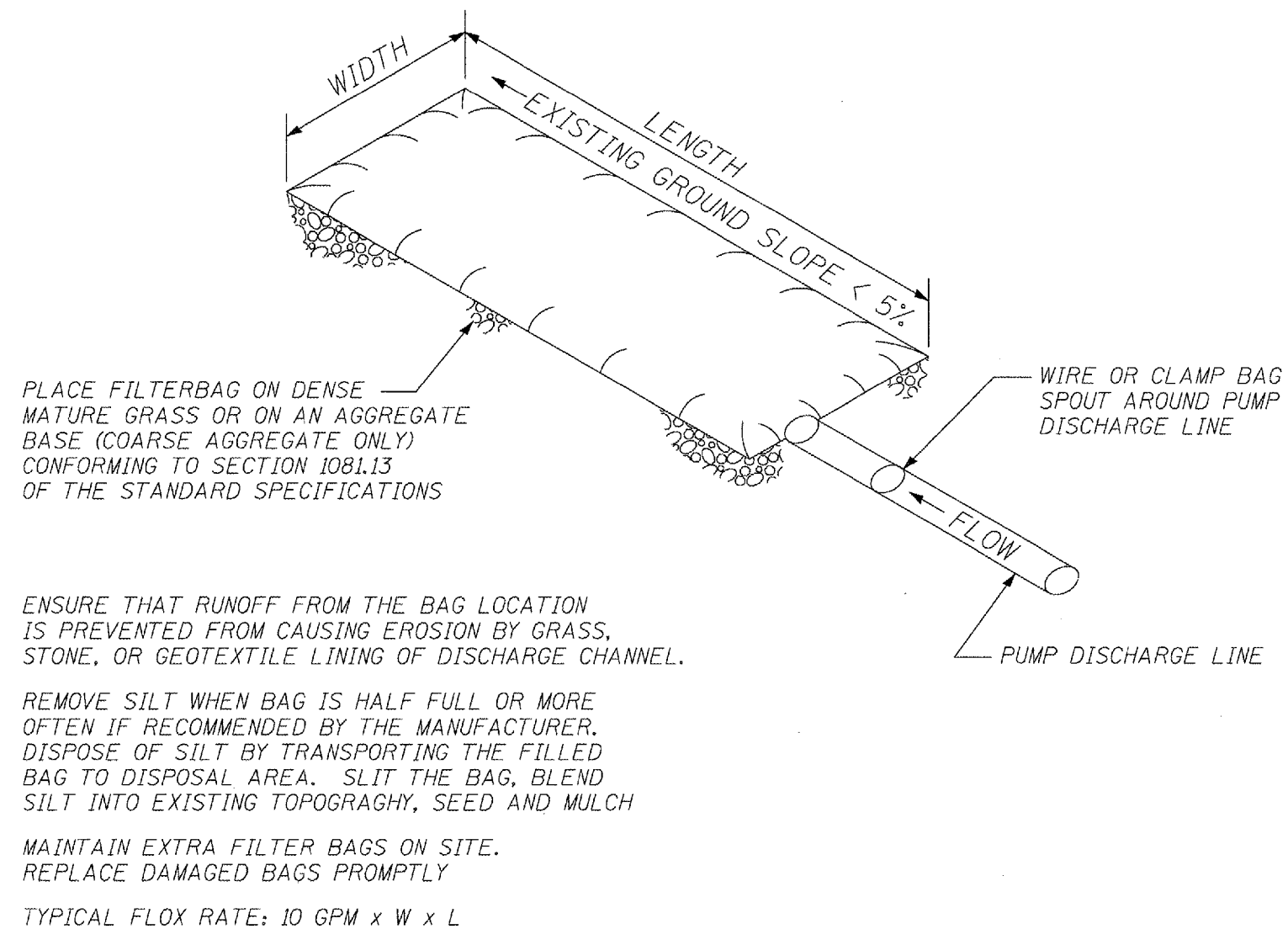


FIGURE S1. SEDIMENT FILTER BAG

NOTE: DEWATERING SYSTEM DETAILS SHALL BE USED IN CONJUNCTION WITH THE PROJECT SPECIAL PROVISIONS.

ILLINOIS DEPARTMENT OF TRANSPORTATION

DEWATERING SYSTEM
DETAILS