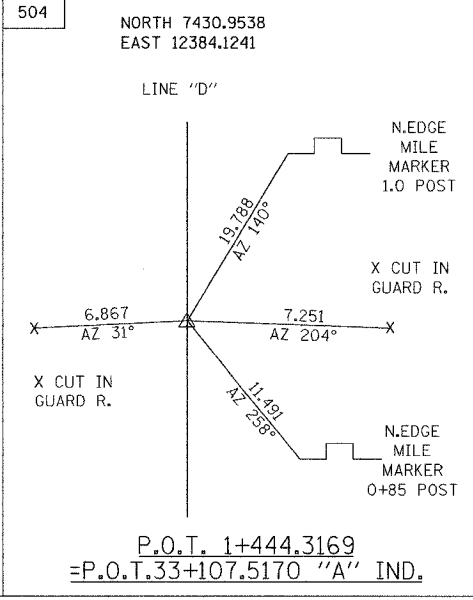
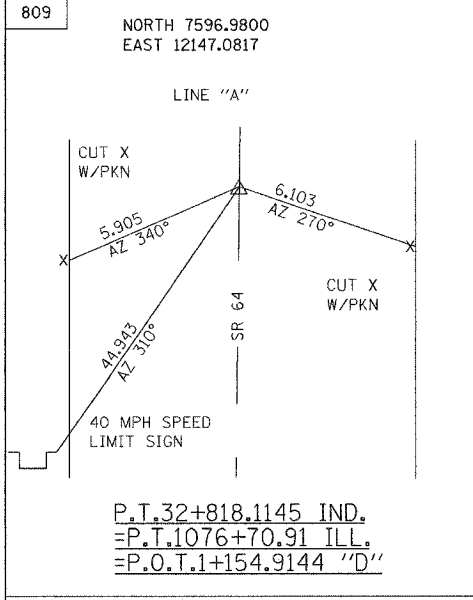
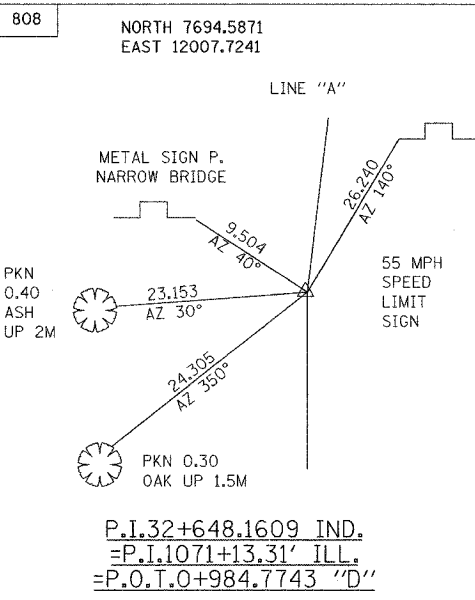
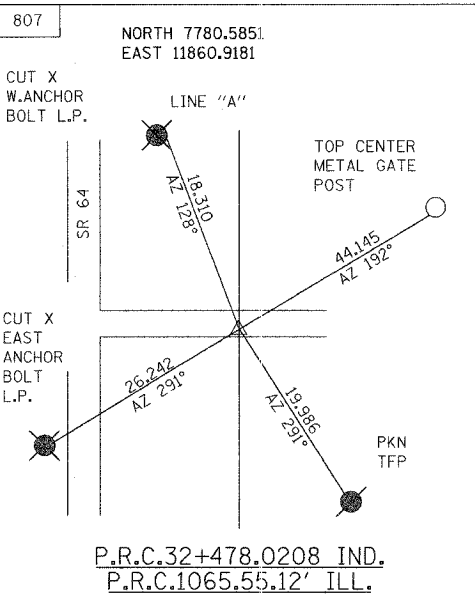
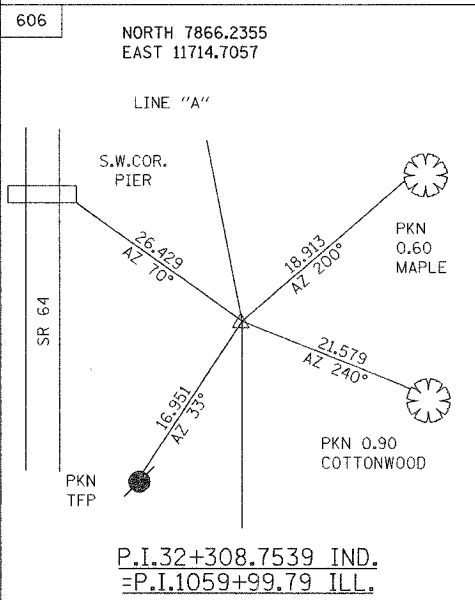
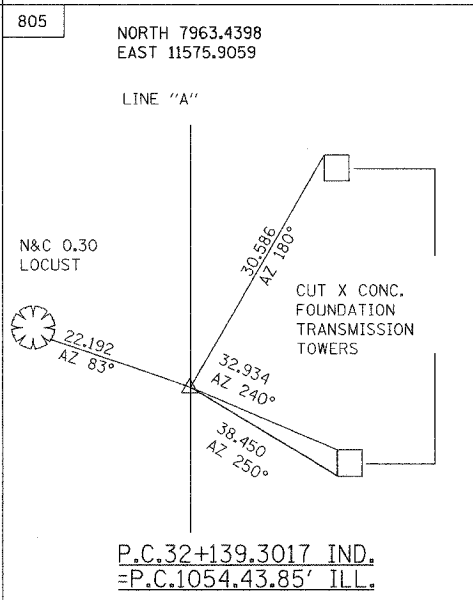
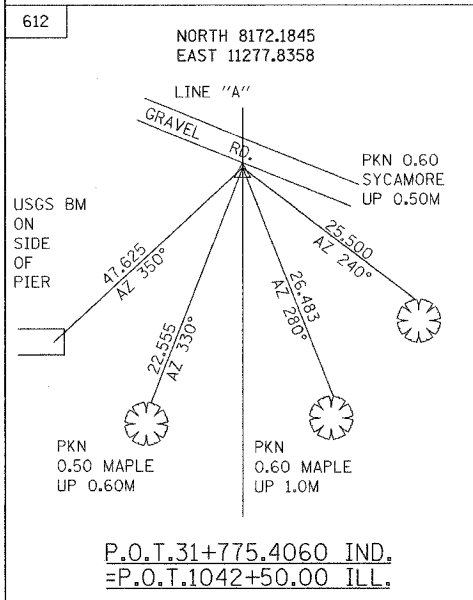
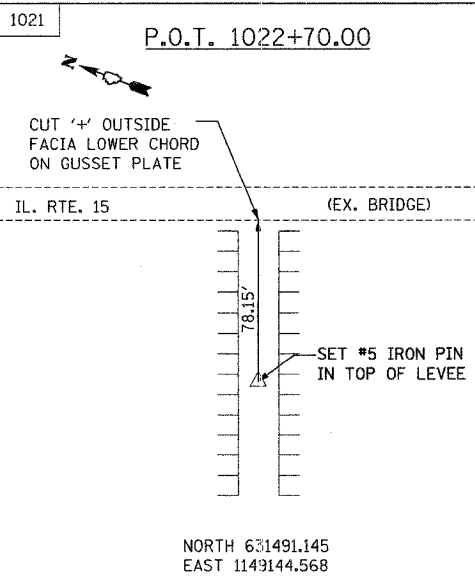
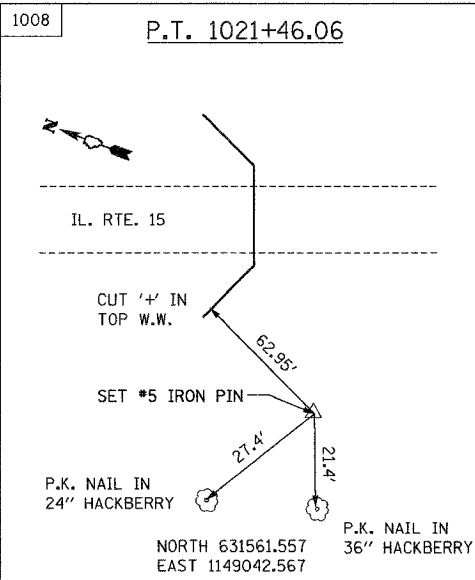
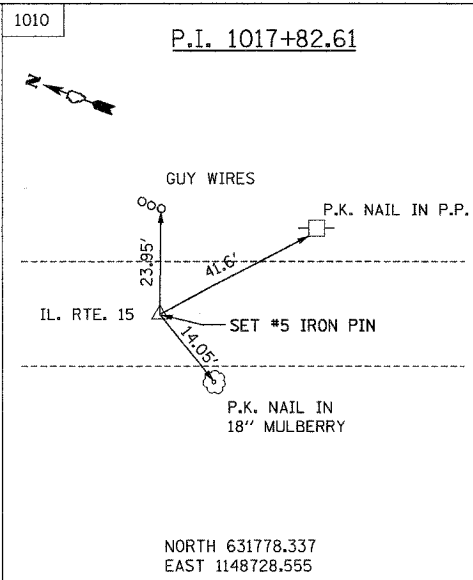
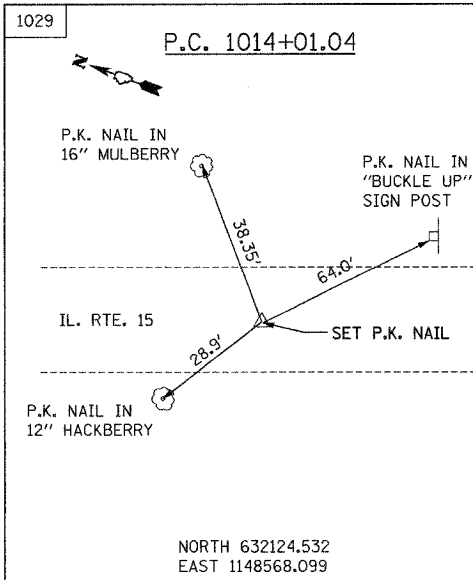


F.A.P. RTE.	SECTION	COUNTY	TOTAL SHEETS	SHEET NO.
827	12Z-3, 12BR	WABASH, IL GIBSON, IN	158	6
STA.		TO STA.		
FED. ROAD DIST. NO.		ILLINOIS FED. AID PROJECT		



NOTE: INDIANA TIE POINTS ARE IN A METRIC COORDINATE SYSTEM INDEPENDENT FROM THE ILLINOIS ENGLISH COORDINATE SYSTEM

benesch

alfred benesch & company
Engineers • Surveyors • Planners
205 North Michigan Avenue, Suite 2400
Chicago, Illinois 60601
312-685-0450
Job No. 3426

REVISIONS	
NAME	DATE

ILLINOIS DEPARTMENT OF TRANSPORTATION

PROPOSED CENTERLINE TIES

SCALE: VERT. DRAWN BY DJK
 HORIZ. CHECKED BY RDC
 DATE 06/15/07

02/20/07 4:04:37 PM m:\proj\3426\stage_2\infig\mk001.dgn