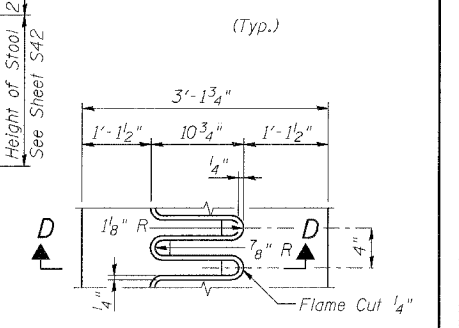
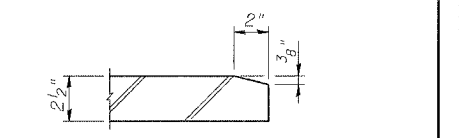


ROUTE No.	SECTION	COUNTY	TOTAL SHEETS	SHEET NO.
F.A.P. 827	12Z-3, 12BR	WABASH, IL GIBSON, IN	158	57
STA.		TO STA.		
F.H.W.A. REGION		ILLINOIS	PROJECT	

BRIDGE SHEET S41 OF S114 CONTRACT 94450



FLAME CUTTING DIAGRAM



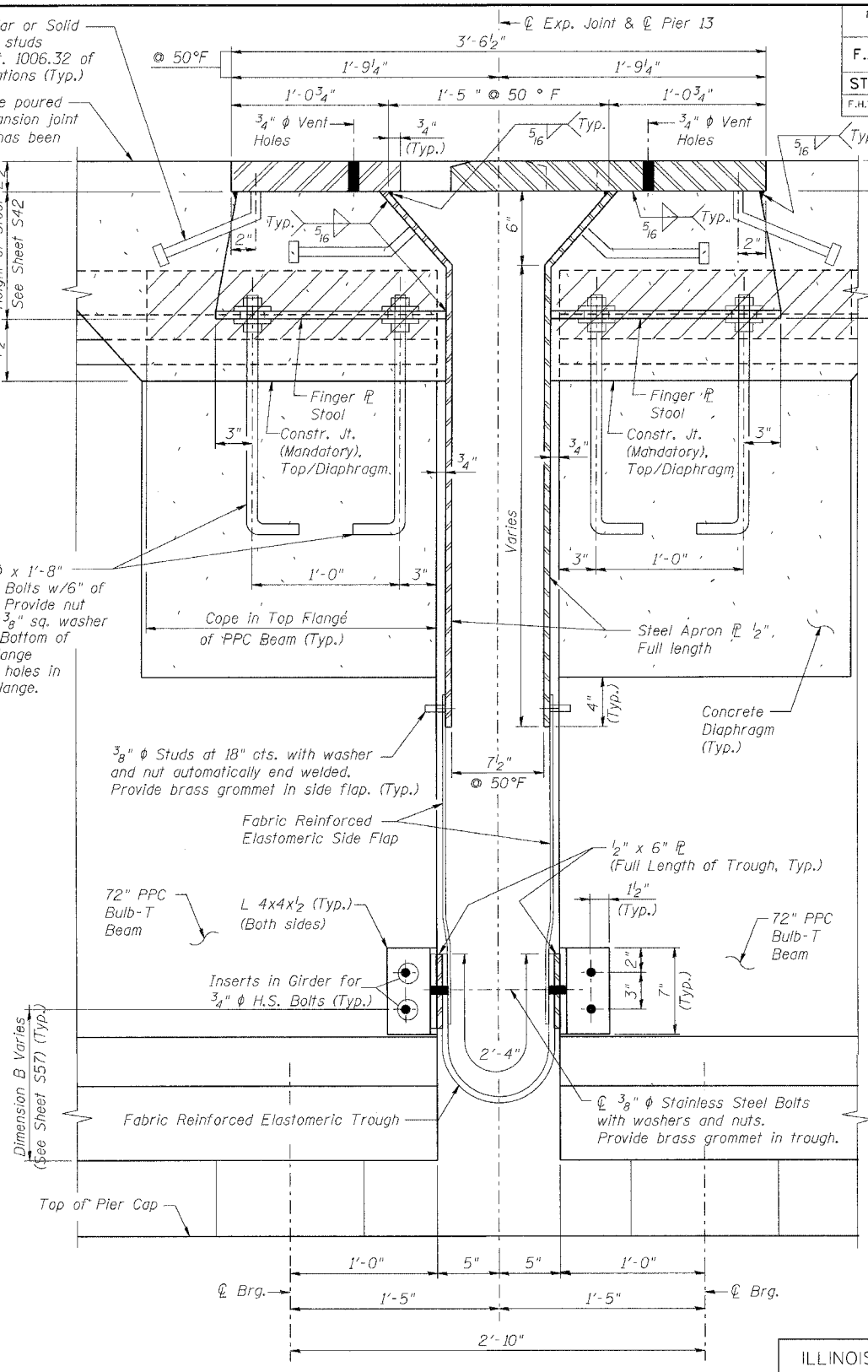
SECTION D-D

- NOTES:**
1. Work this sheet with sheet S42.
 2. For Bulb-T PPC Beam coping and Diaphragm details see sheet S48.
 3. For Detail 1 see sheet S42.
 4. All steel for Finger Plate Joint shall conform to AASHTO M 270 specification, Gr. 50.
 5. Design expansion $\pm 4\frac{1}{4}$ ".
 6. The cost of Steel required for Finger Plate Joint assembly shall be paid under Furnishing and Erecting Structural Steel. The cost of all Bolts (I.E. Anchor, High Strength, Expansion, Stainless Steel, etc.) shall be included in the Price for Furnishing and Erecting Structural Steel.

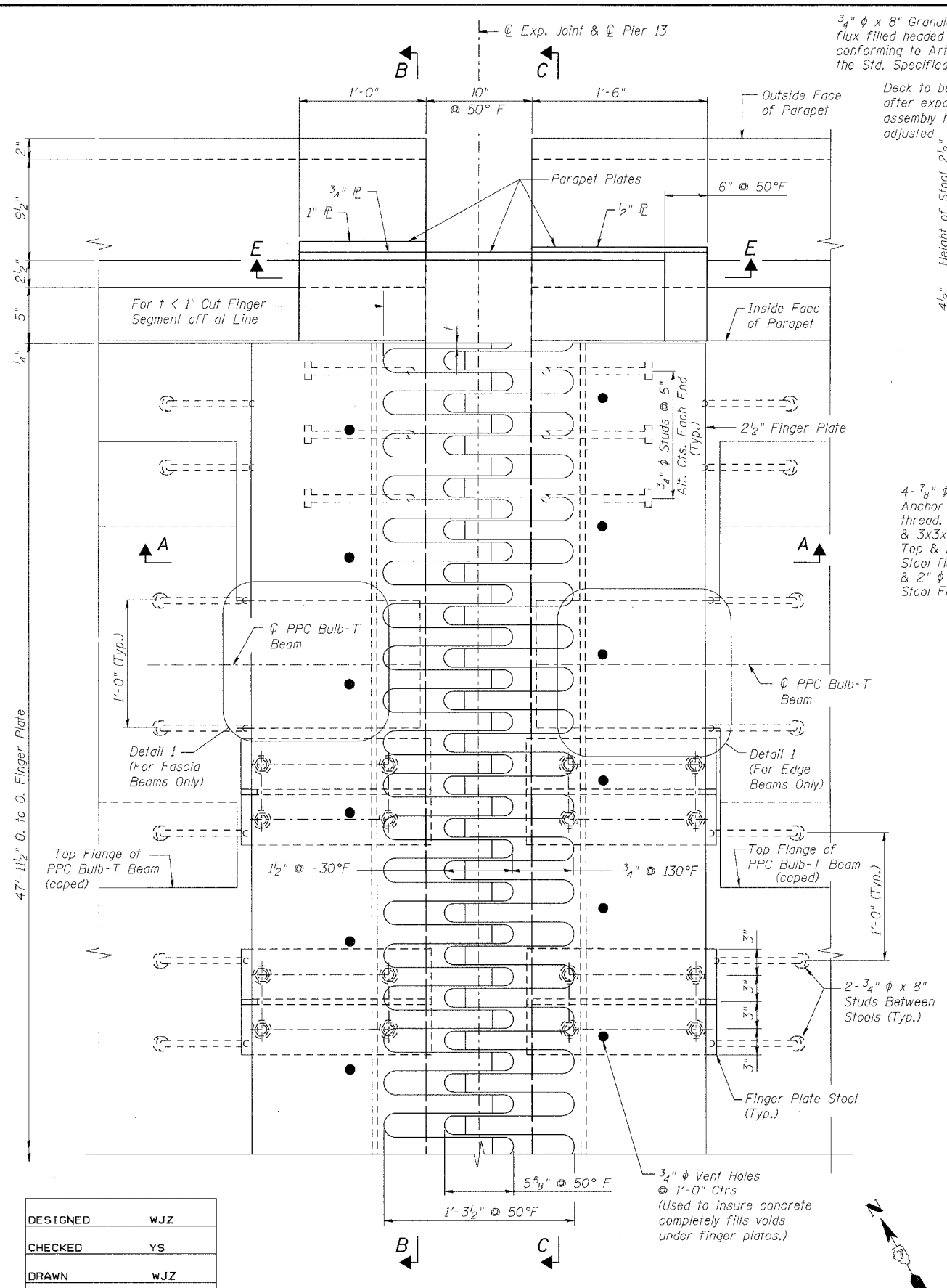
ILLINOIS DEPARTMENT OF TRANSPORTATION
IL ROUTE 15/IN ROUTE 64
OVER WABASH RIVER PUBLIC WATERS
FAP 827 SECT 12Z-3, 12BR

**FINGER PLATE EXPANSION JOINT
PIER 13**

SN: 093-0021 (IL)/9502700 (IN) STA. 1036+27
WABASH CO., IL. DATE: JUNE 15, 2007



SECTION A-A



PLAN OF FINGER PLATE

DESIGNED	WJZ
CHECKED	YS
DRAWN	WJZ
CHECKED	YS

m:\proj\3426\stage_2\structures\design\super\sej\jtd1003.dgn
 6/26/2007 1:00:26 PM

benesch
 olfred benesch & company
 Engineers - Surveyors - Planners
 205 North Michigan Avenue, Suite 2400
 Chicago, Illinois 60601
 312-565-9450
 Job No. 3426