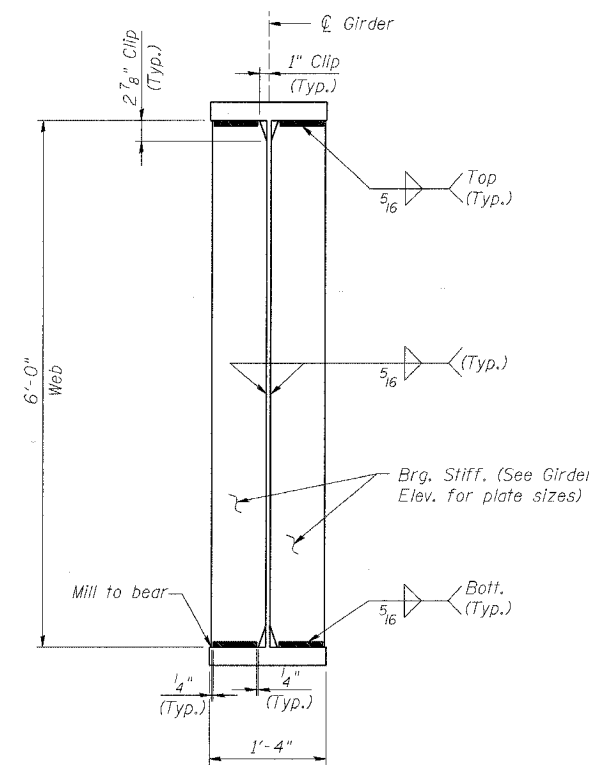


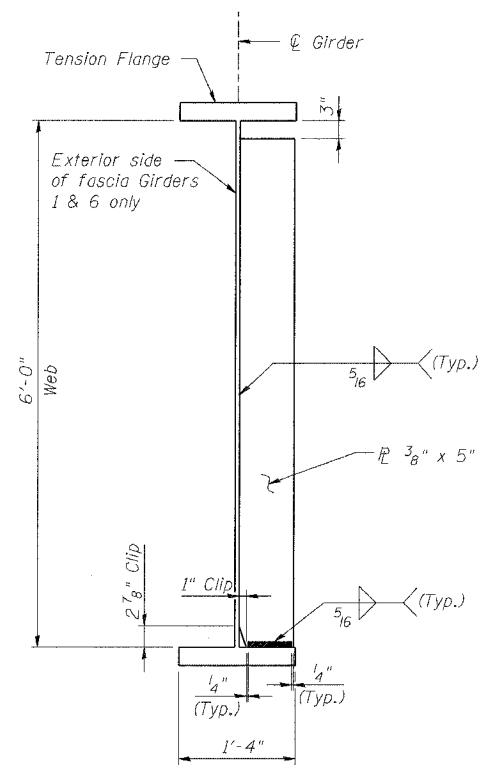
ROUTE No.	SECTION	COUNTY	TOTAL SHEETS	SHEET NO.
F.A.P. 827	12Z-3, 12BR	WABASH, IL GIBSON, IN	158	78
STA.		TO STA.		
F.H.W.A. REGION		ILLINOIS	PROJECT	

BRIDGE SHEET S62 OF S114

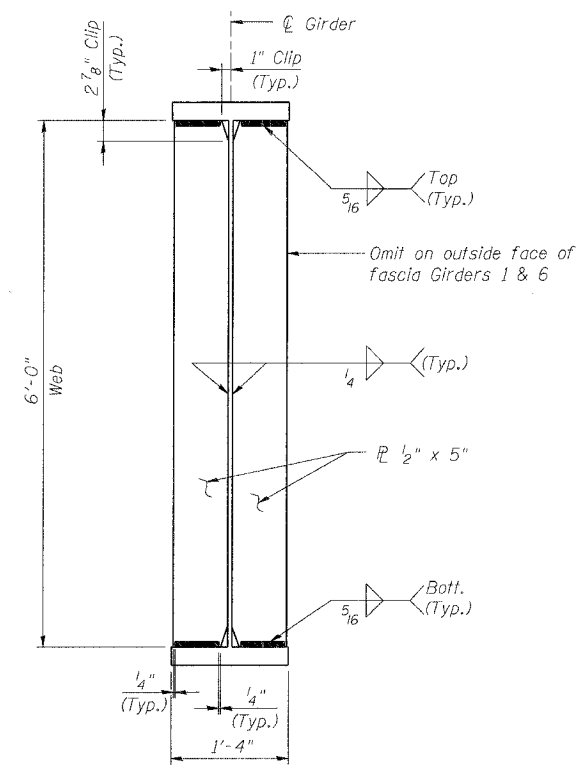
CONTRACT
94450



BEARING STIFFENER
(Total Plates Required = 72)



INTERMEDIATE STIFFENER
(Total Plates Required = 60)



CONNECTION PLATE
(Total Plates Required = 430)

NOTES:

1. For location of stiffener plates see sheets S59 & S60.
2. All stiffener plates shall be AASHTO M 270 Grade 50W steel.
3. Work this sheet with sheets S50, S51, S59 and S60.

m:\proj3426\stage_2\structures\design\super\sgstf001.dgn

10:09 PM

6/26/2007

DESIGNED	PA/MRB
CHECKED	JDC/DAD
DRAWN	JST/VH
CHECKED	JDC/MRB

benesch

alfred benesch & company
Engineers - Surveyors - Planners
205 North Michigan Avenue, Suite 2400
Chicago, Illinois 60601
312-566-0450
Job No. 3426

ILLINOIS DEPARTMENT OF TRANSPORTATION
IL ROUTE 15/IN ROUTE 64
OVER WABASH RIVER PUBLIC WATERS
FAP 827 SECT 12Z-3, 12BR
**STEEL PLATE GIRDER
MISCELLANEOUS DETAILS**
SN: 093-0021 (IL)/9502700 (IN) STA. 1036+27
WABASH CO., IL. DATE: JUNE 15, 2007