

ROUTE No.	SECTION	COUNTY	TOTAL SHEETS	SHEET NO.
F.A.P. 827	12Z-3, 12BR	WABASH, IL GIBSON, IN	158	92
STA.	TO STA.			
F.H.W.A. REGION	ILLINOIS	PROJECT		

BRIDGE SHEET S76 OF S114

CONTRACT
94450

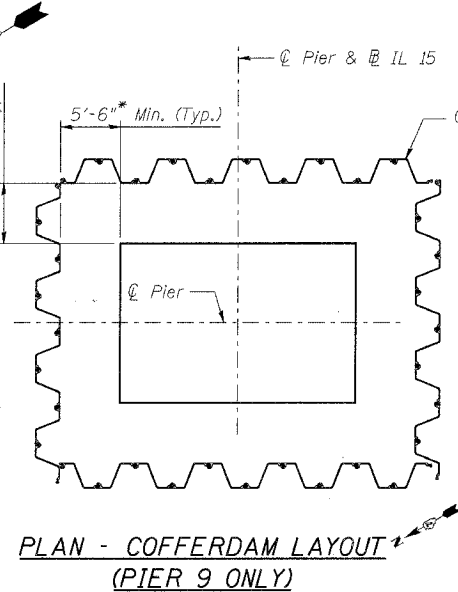
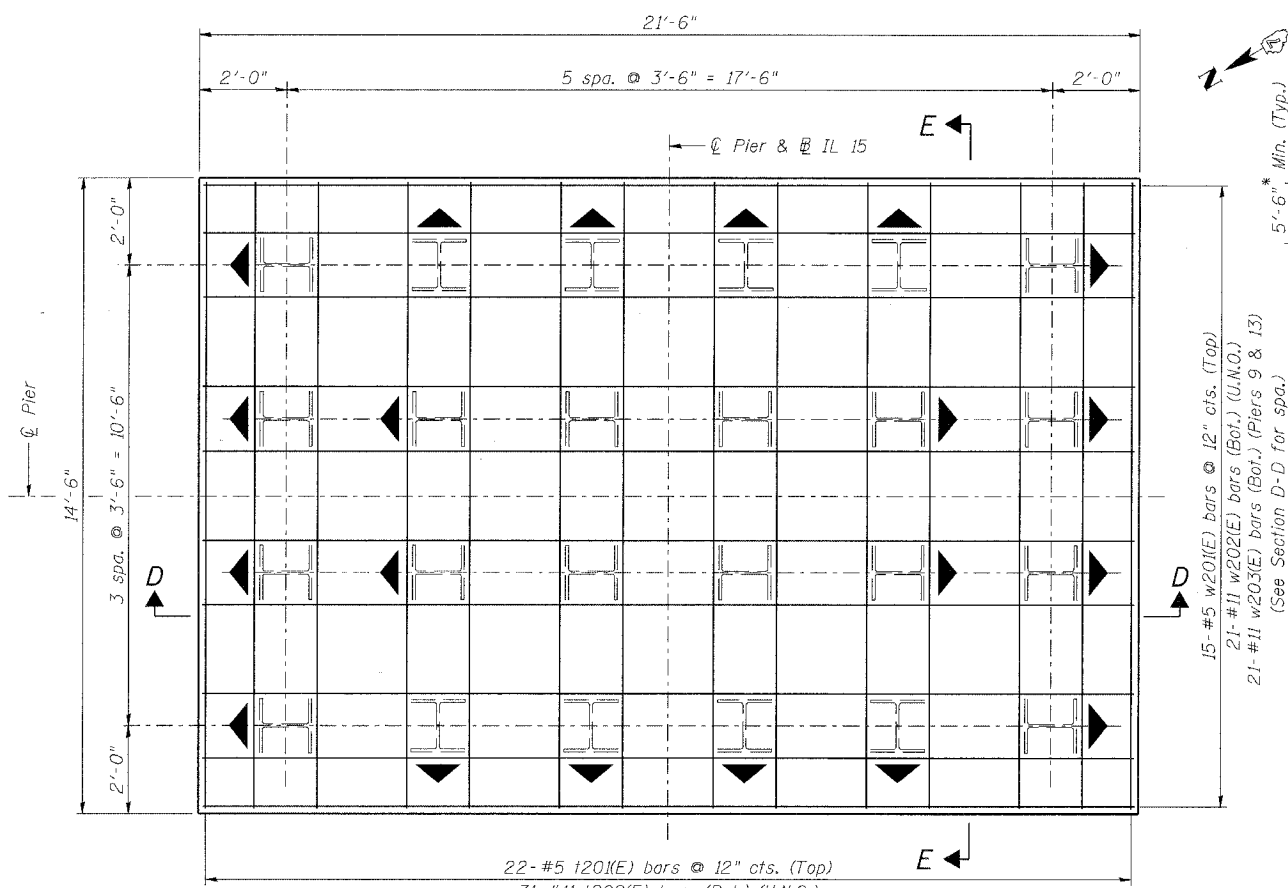
PILE DATA

	Pier 1	Pier 3	Pier 9	Pier 10	Pier 12
Type	HP 14x117 w/ pile shoes	HP 14x117 w/ pile shoes	HP 14x117 w/ pile shoes	HP 14x117	HP 14x117
Nominal Required Bearing	930 kips	930 kips	930 kips	930 kips	930 kips
Allowable Resistance Available	310 kips	310 kips	310 kips	310 kips	310 kips
Estimated Vertical Length	32 ft	25 ft	91 ft	74 ft	67 ft
No. Production Piles	24	24	24	23	23
No. Test Piles	0	0	0	1	1
Negative Skin Friction Allowance	9 kips/Pile	5 kips/Pile	-	-	-
Minimum Pile Tip Elevation	-	-	274.1	-	-

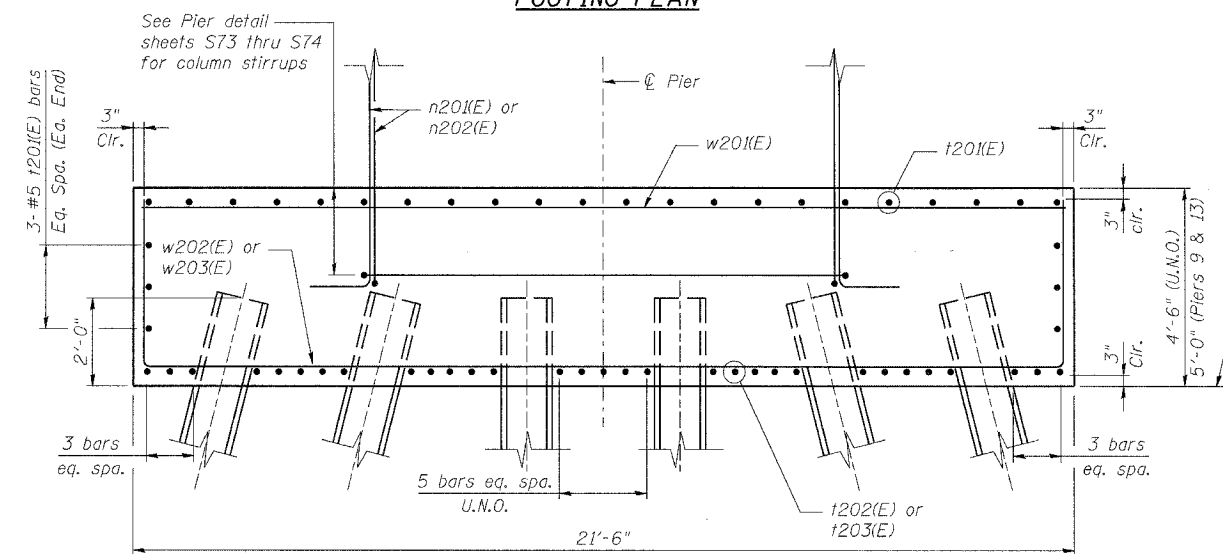
	Pier 13	Pier 14	Pier 15	Pier 18	Pier 19
Type	HP 14x117	HP 14x117 w/ pile shoes	HP 14x117 w/ pile shoes	HP 14x117 w/ pile shoes	HP 14x117 w/ pile shoes
Nominal Required Bearing	930 kips	930 kips	930 kips	930 kips	930 kips
Allowable Resistance Available	310 kips	310 kips	310 kips	310 kips	310 kips
Estimated Vertical Length	97 ft	111 ft	108 ft	110 ft	114 ft
No. Production Piles	23	24	23	23	24
No. Test Piles	1	0	1	1	0
Negative Skin Friction Allowance	-	-	-	-	-
Minimum Pile Tip Elevation	-	-	-	-	-

NOTES:

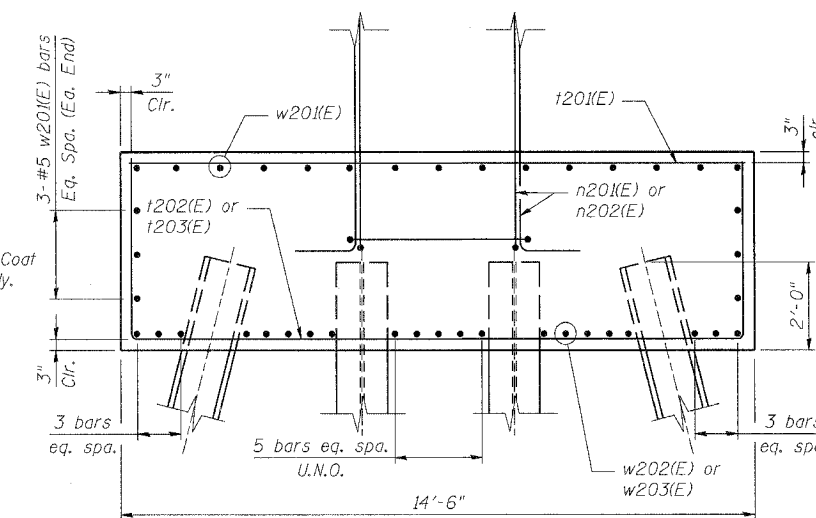
1. Denotes battered pile (3H : 12V)
2. For Pier Plan and Elevations, See sheets S73-S75.
3. For Reinforcement Bar Bending Details, See sheet S80.
4. For Bill of Materials, See Sheets S81-S85.



FOOTING PLAN



SECTION D-D



SECTION E-E

DESIGNED	CDF
CHECKED	YS/HMA
DRAWN	RMG
CHECKED	CDF

benesch

alfred benesch & company
Engineers - Surveyors - Planners
205 North Michigan Avenue, Suite 2400
Chicago, Illinois 60601
312-566-0450
Job No. 3426

ILLINOIS DEPARTMENT OF TRANSPORTATION
IL ROUTE 15/IN ROUTE 64
OVER WABASH RIVER PUBLIC WATERS
FAP 827 SECT 12Z-3, 12BR

**PIERS 1, 3, 9, 10, 12, 13, 14, 15, 18, & 19
FOOTING DETAILS**

SN: 093-0021 (IL)/9502700 (IN)
WABASH CO., IL.

STA. 1036+27
DATE: JUNE 15, 2007

m:\proj\3426\stage_2\structures\design\sub\spid1004.dgn

10:42 PM

6/26/2007