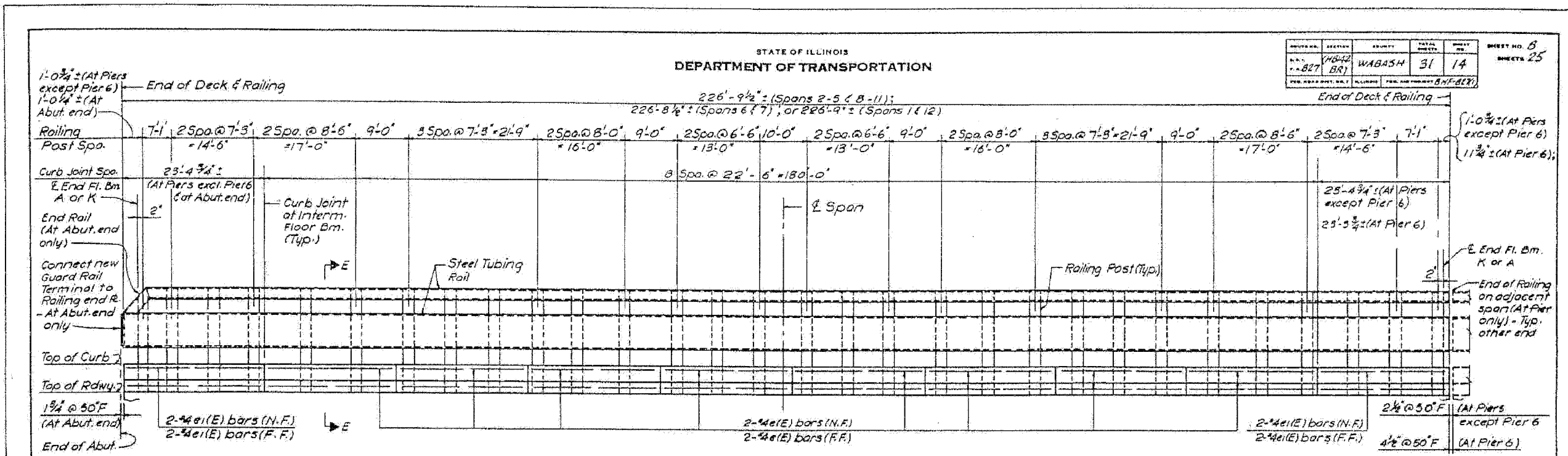
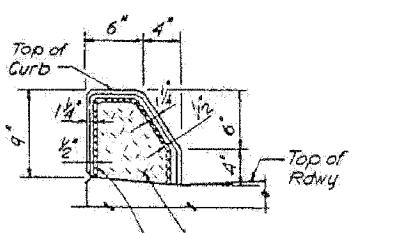
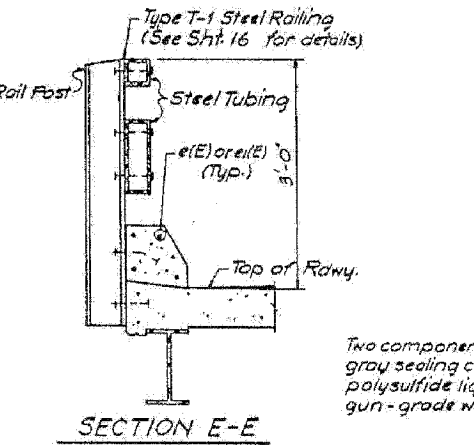
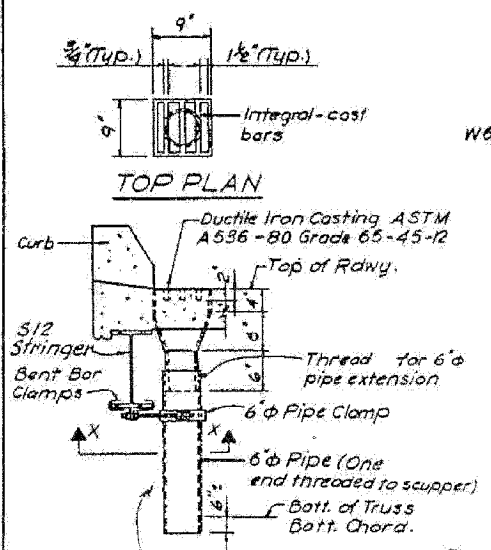


ROUTE No.	SECTION	COUNTY	TOTAL SHEETS	SHEET NO.
F.A.P. 827	12Z-3, 12BR	WABASH, IL GIBSON, IN	158	145
STA.	TO STA.			
F.H.W.A. REGION	ILLINOIS	PROJECT		

ROUTE No.	SECTION	COUNTY	TOTAL SHEETS	SHEET NO.
F.A.P. 827	12Z-3, 12BR	WABASH	31	14

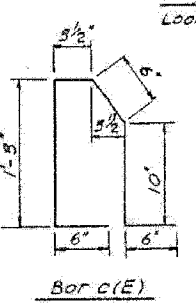
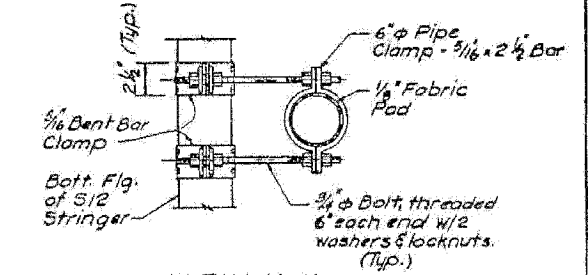


INSIDE ELEVATION OF CURB & RAILING  
(Typ. - All Spans)



BILL OF MATERIAL

BAR	Phase I	Phase II	Total	SIZE	LENGTH	SHAPE
a(E)	3504	3504	7008	4	11'-2"	—
Q1(E)	3504	3504	7008	4	11'-5"	—
b(E)	2112	2112	4224	4	24'-0"	—
b1(E)	264	264	528	4	19'-0"	—
b2(E)	1188	1188	2376	6	9'-0"	—
b3(E)	264	264	528	4	28'-6"	—
c(E)	2784	2784	5568	4	3'-11"	D
e(E)	384	384	768	4	22'-3"	—
e1(E)	96	96	192	4	23'-0"	—
				Reinforcement Bars (Epoxy coated)	Lbs.	251,240
				Class X Concrete	Cu.Yds.	1,462.1



HAZLET & ERDAL  
CONSULTING ENGINEERS  
FILE NO.  
DRAWN BY: HKN/EI  
CHECKED BY: [Signature]  
APPROVED BY: [Signature]

Handwritten notes:  
All steel Steel Tubing  
ASTM A513  
Grade B or  
#501 Street Steel Tubing  
1/2" dia.  
1/2" x 1/8"

FOR INFORMATION ONLY

DECK DETAILS  
EA ROUTE 527 (IL15) SECTION (HB142) BR  
WABASH COUNTY