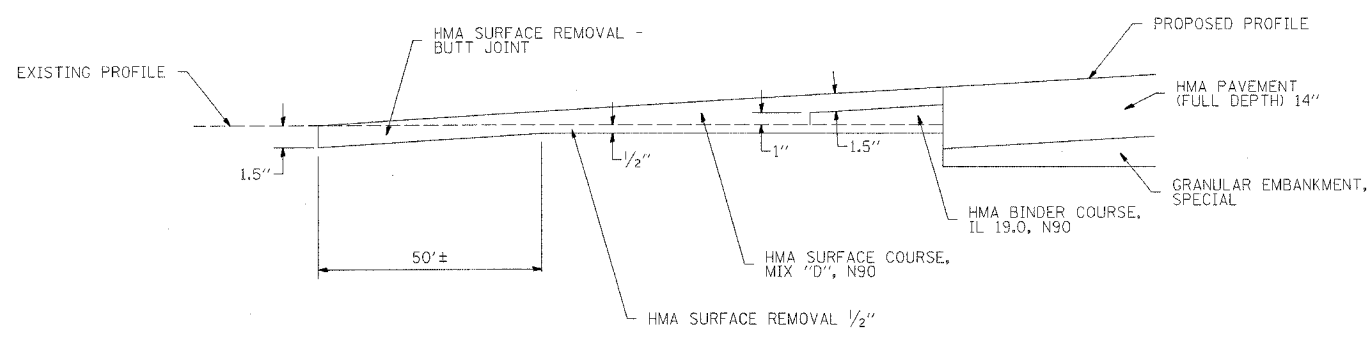
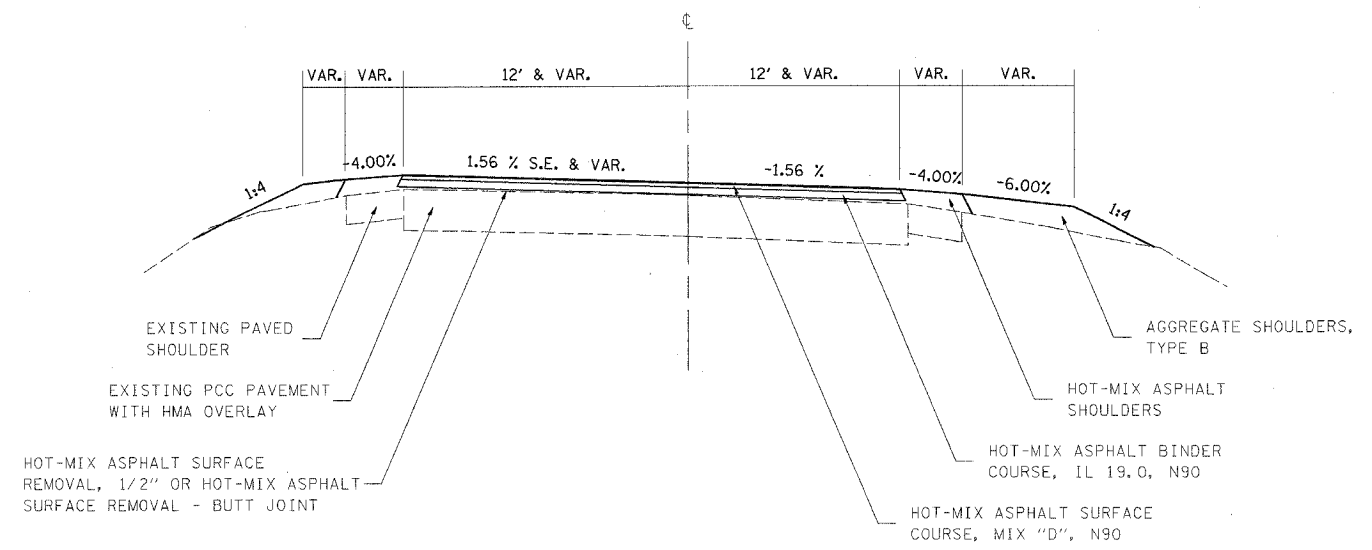


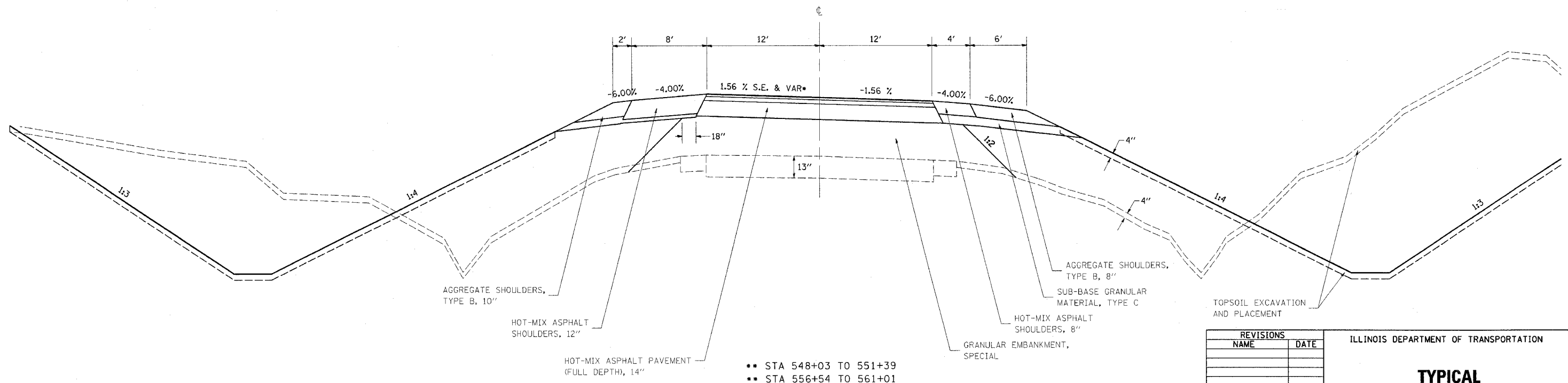
F.A.P. RTE.	SECTION	COUNTY	TOTAL SHEETS	SHEET NO.
327	(51-2318-3	LAWRENCE	56	5
STA.	TO STA.			
FED. ROAD DIST. NO.	ILLINOIS	FED. AID PROJECT		



BUTT JOINT & PROFILE CHANGE DETAIL



- STA 547+20 TO 548+03
- STA 561+01 TO 563+91
- FOR MAINLINE ONLY, SHOULDERS DIFFERENT



- \*\* STA 548+03 TO 551+39
- \*\* STA 556+54 TO 561+01
- \* ATTAIN S.E. 549+69 TO 550+49
- \*\* FOR MAILINE ONLY, SHOULDERS DIFFERENT

REVISIONS	
NAME	DATE

ILLINOIS DEPARTMENT OF TRANSPORTATION

## TYPICAL SECTIONS

SCALE: VERT. \_\_\_\_\_  
HORIZ. \_\_\_\_\_

DATE \_\_\_\_\_

DRAWN BY \_\_\_\_\_  
CHECKED BY \_\_\_\_\_

PLOT DATE = 8/28/2007  
 FILE NAME = c:\p\m\m\m\94967\d\h\h\h\94967.dgn  
 USER NAME = staff\m...