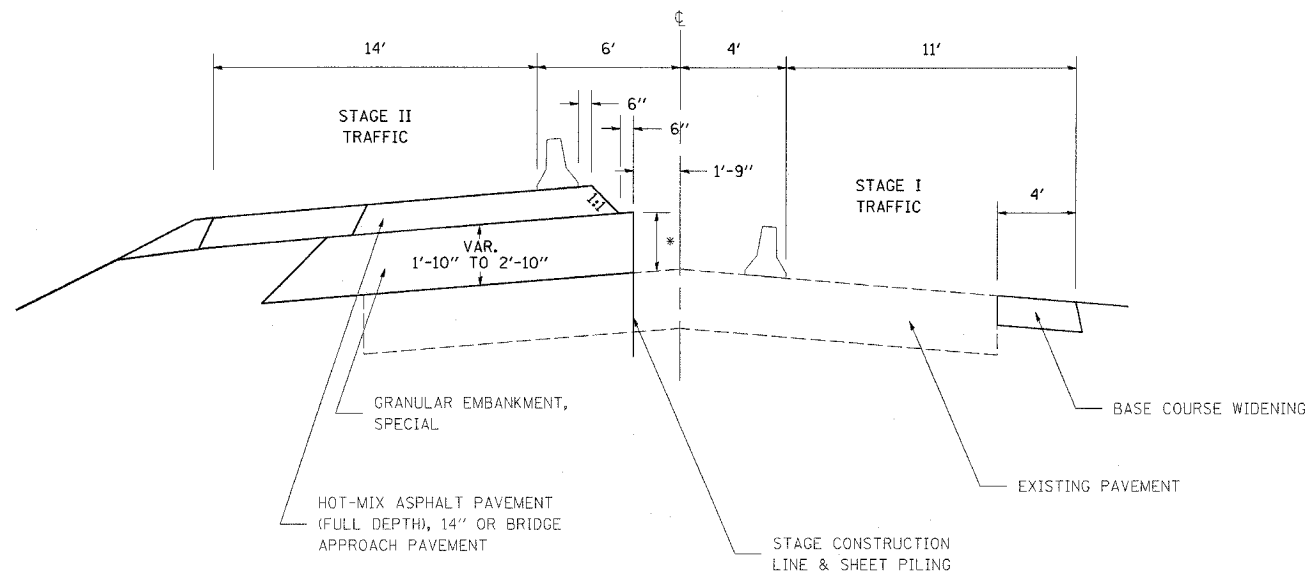
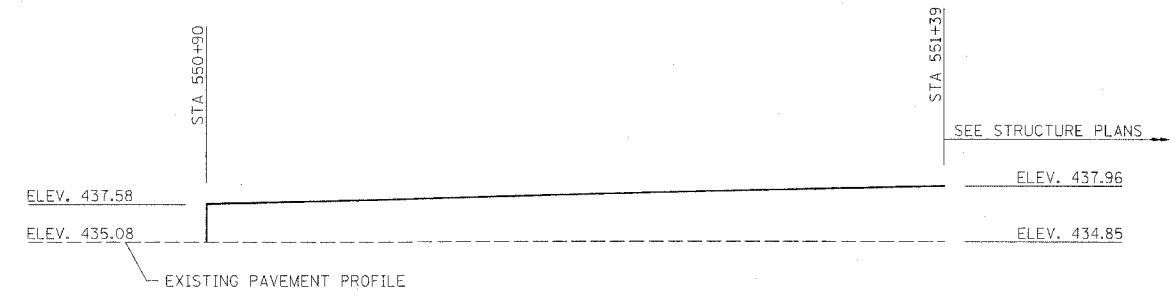


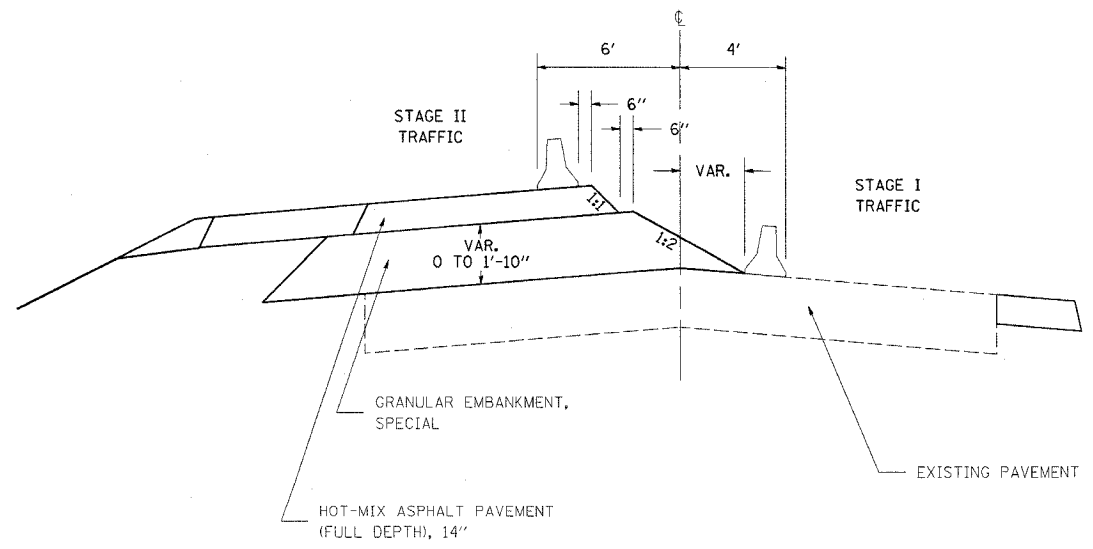
F.A.P. RTE.	SECTION	COUNTY	TOTAL SHEETS	SHEET NO.
327	(51-23)B-3	LAWRENCE	56	13
STA.		TO STA.		
FED. ROAD DIST. NO.		ILLINOIS FED. AID PROJECT		



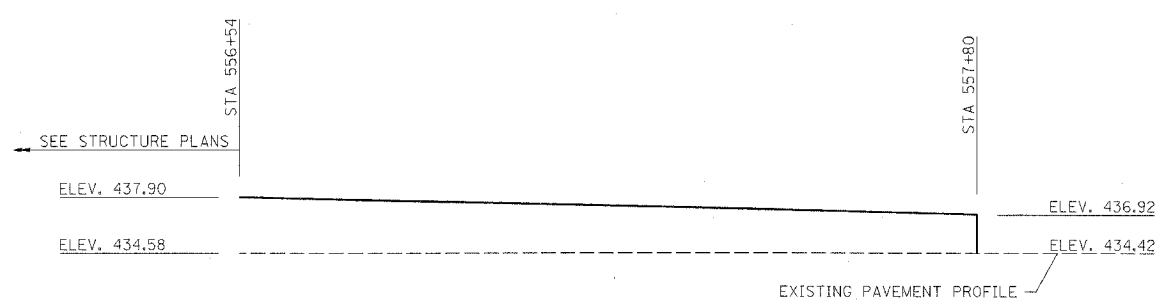
STA 550+90 TO 551+68
STA 556+25 TO 557+80



TEMPORARY SOIL RETENTION SYSTEM - WEST



STA 548+03 TO 550+90
STA 557+80 TO 561+01



TEMPORARY SOIL RETENTION SYSTEM - EAST

PLOT DATE = 8/28/2007
FILE NAME = c:\p\projects\94967\ahh\tdat_94967.dgn
PLOT SCALE = 28.0000 / IN.
USER NAME = staffennk

REVISIONS	
NAME	DATE

ILLINOIS DEPARTMENT OF TRANSPORTATION

STAGE CONSTRUCTION DETAILS

SCALE: VERT. _____
HORIZ. _____

DATE _____

DRAWN BY _____
CHECKED BY _____