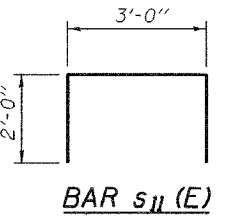
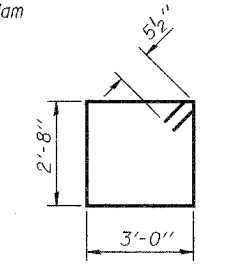
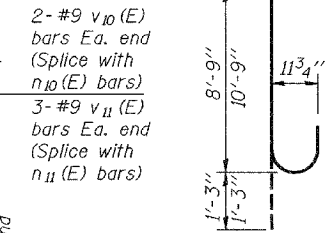
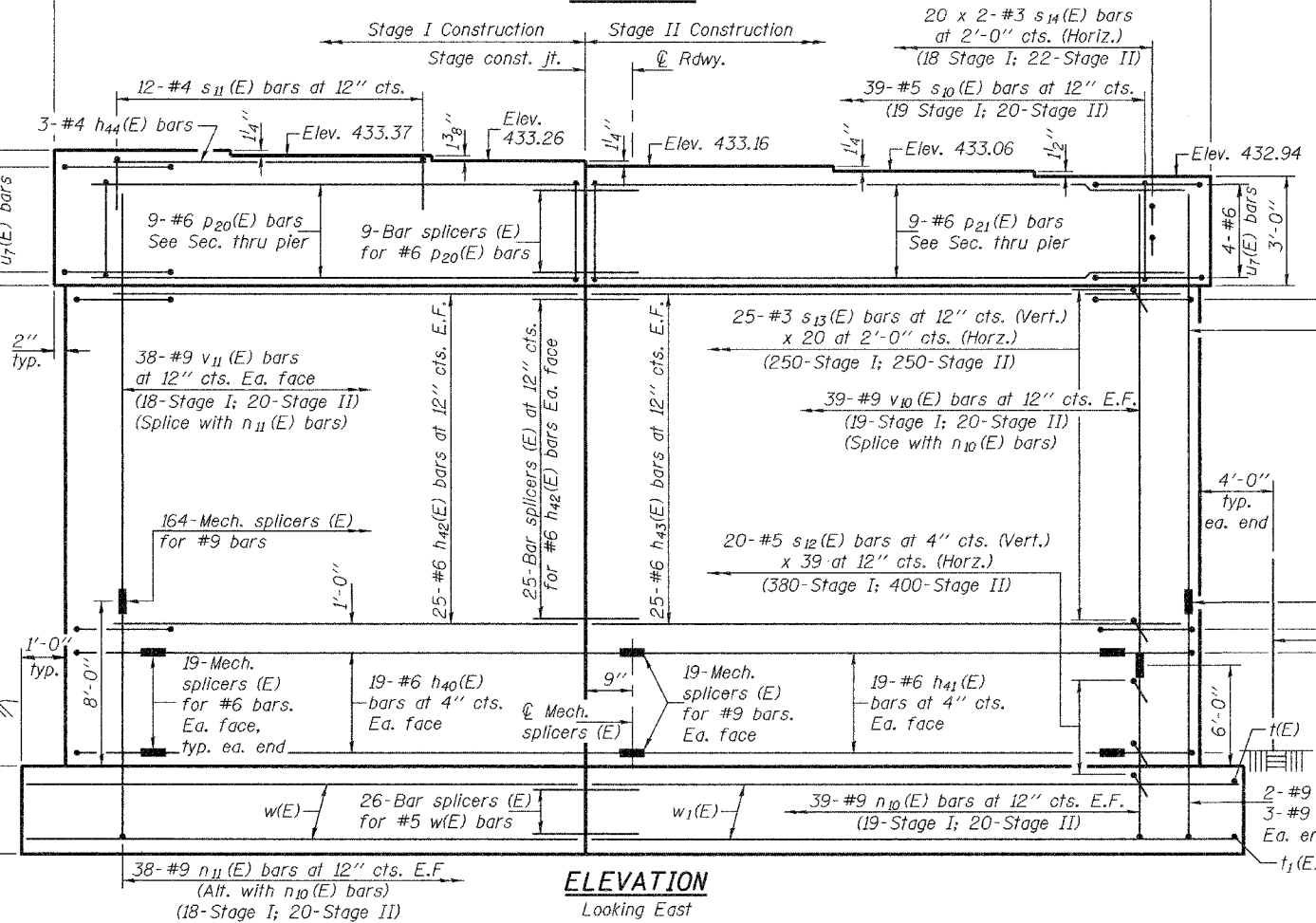
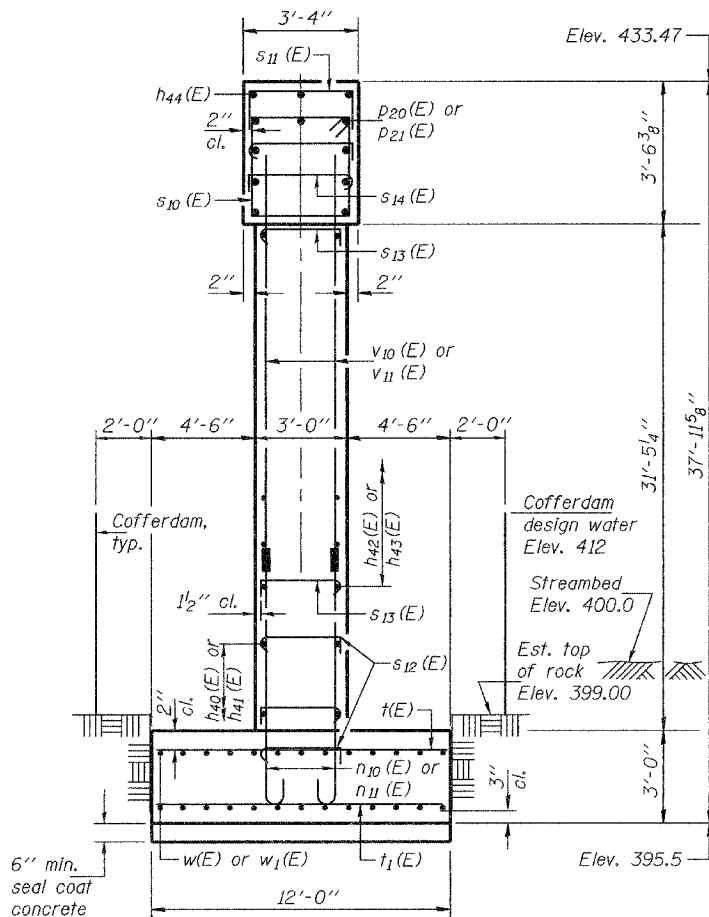
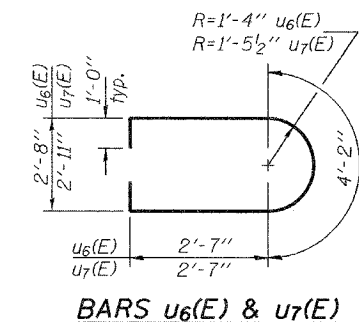
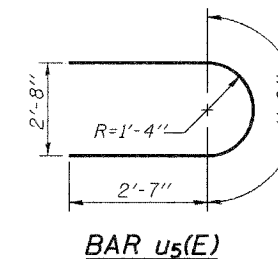
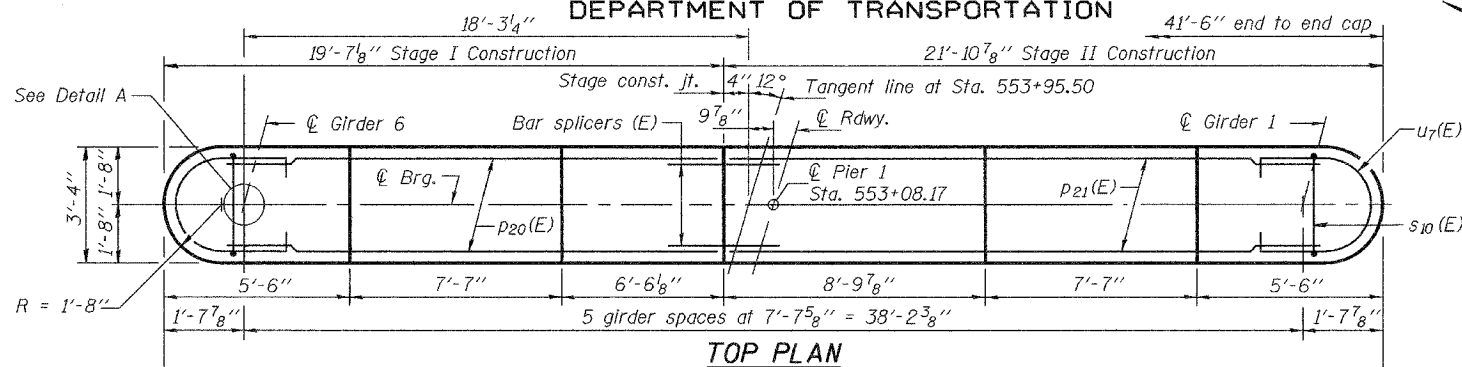
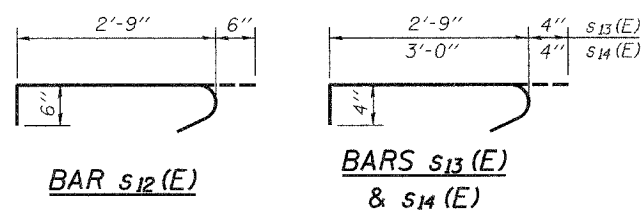


STATE OF ILLINOIS  
DEPARTMENT OF TRANSPORTATION

ROUTE NO.	SECTION	COUNTY	SHEETS	SHEET NO.
FAP 327	(51-23) B-3	LAWRENCE	56	40
FED. ROAD DIST. NO. 7		ILLINOIS	FED. AID PROJECT-	

Contract No. 94967

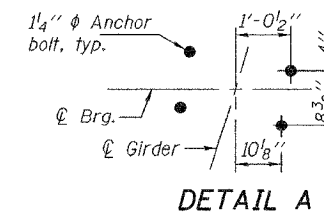
Notes: Space reinforcement in cap to miss anchor bolts.  
Pour steps monolithically with cap.  
See pier construction details on sheet 2 of 29.  
Mechanical splices designated (E) shall be epoxy coated.  
The  $s_{12}(E)$ ,  $s_{13}(E)$ , and  $s_{14}(E)$  cross-tie bars shall be placed so that the 90° hooked ends of two successive cross-ties alternate end-for-end.



**BILL OF MATERIAL**

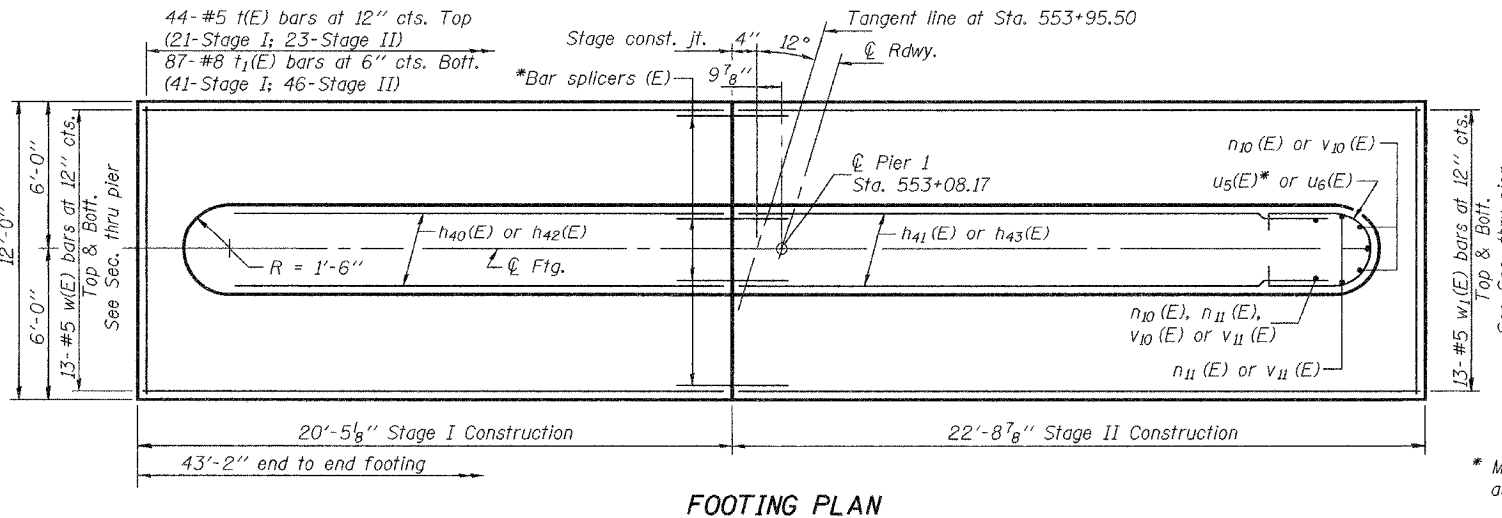
Bar	No.	Size	Length	Shape
$h_{40}(E)$	38	#6	16'-1"	—
$h_{41}(E)$	38	#6	16'-11"	—
$h_{42}(E)$	50	#6	17'-9"	—
$h_{43}(E)$	50	#6	20'-1"	—
$h_{44}(E)$	3	#4	11'-3"	—
$n_{10}(E)$	82	#9	10'-0"	J
$n_{11}(E)$	82	#9	12'-0"	J
$p_{20}(E)$	9	#6	17'-9"	—
$p_{21}(E)$	9	#6	20'-1"	—
$s_{10}(E)$	39	#5	12'-3"	□
$s_{11}(E)$	12	#4	7'-0"	—
$s_{12}(E)$	780	#5	3'-9"	J
$s_{13}(E)$	500	#3	3'-5"	J
$s_{14}(E)$	40	#3	3'-8"	J
$t(E)$	44	#5	11'-8"	—
$t_1(E)$	87	#8	11'-8"	—
$u_5(E)$	38	#6	9'-4"	J
$u_6(E)$	50	#6	11'-4"	J
$u_7(E)$	9	#6	11'-9"	J
$v_{10}(E)$	82	#9	28'-0"	—
$v_{11}(E)$	82	#9	26'-0"	—
$w(E)$	26	#5	20'-1"	—
$w_1(E)$	26	#5	22'-5"	—
Concrete Structures	Cu. Yd.		215.6	
Reinforcement Bars, Epoxy Coated	Pound		36690	
Mechanical Splice	Each		278	
Cofferdam Excavation	Cu. Yd.		175	
Cofferdams	Each		1	
Seal Coat Concrete	Cu. Yd.		9.6	
Bar Splicers	Each		85	
Rock Excavation for Structures	Cu. Yd.		77	

(Max. applied service bearing pressure = 15.0 KSF)



DESIGNED	Chad E. Hodel
CHECKED	Mark D. Shaffer
DRAWN	h.t. duong
CHECKED	CEH/MDS

Oct. 2, 2007  
EXAMINED *Thomas Damagalki*  
PASSED *Ralph E. Anderson*  
ENGINEER OF BRIDGE DESIGN  
ENGINEER OF BRIDGES AND STRUCTURES



**MIN. BAR LAP**  
#6 bar = 2'-7"

\* Mechanical splices (E) shall be used as detailed in elevation view.

**PIER 1**  
F.A.P. RT. 327 - SEC. (51-23)B-3  
LAWRENCE COUNTY  
STATION 553+95.50  
STRUCTURE NO. 051-0063