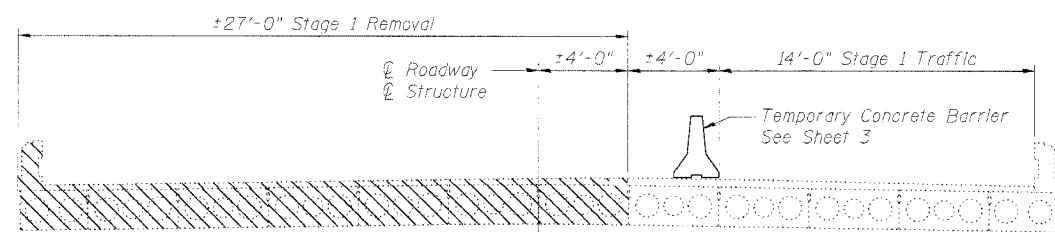


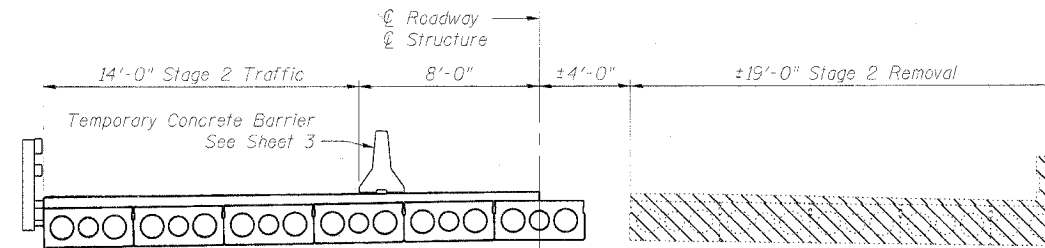
STATE OF ILLINOIS
DEPARTMENT OF TRANSPORTATION

NO. IN NO.	SECTION	COUNTY	TOTAL SHEETS	SHEET NO.	SHEET NO. 2 11 SHEETS
FAP 322	(23-BR-2)BR	FAYETTE	19	10	
FED. ROAD DIST. NO. 7	ILLINOIS	FED. AID PROJECT			

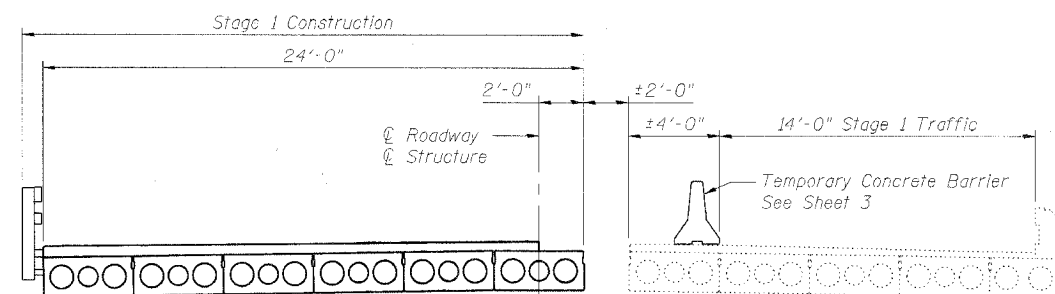
Contract # 94968



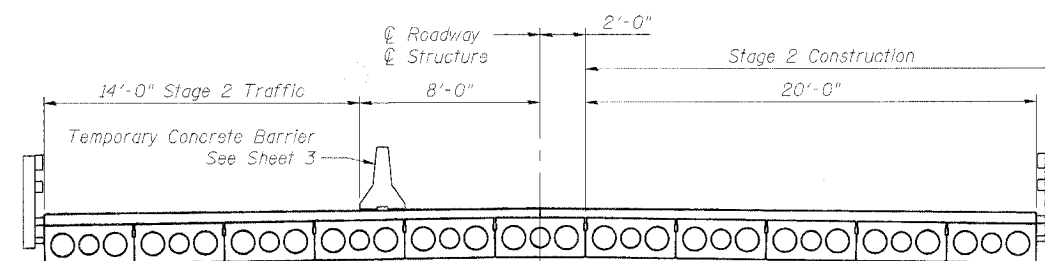
STAGE 1 REMOVAL
(Looking South)



STAGE 2 REMOVAL
(Looking South)

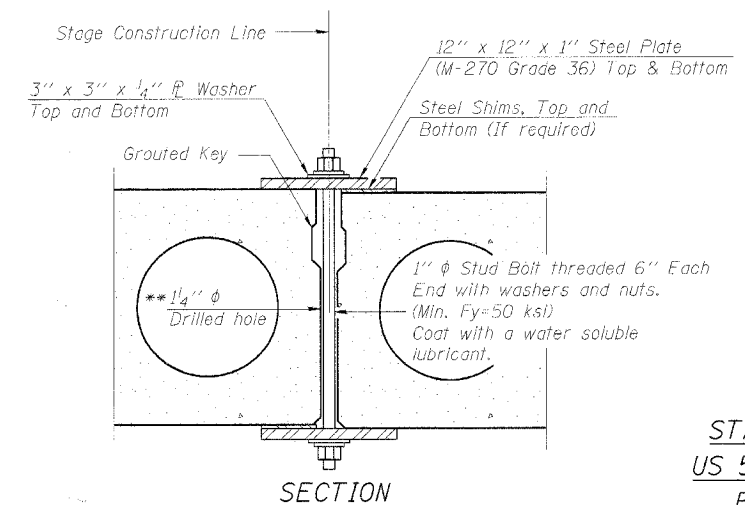
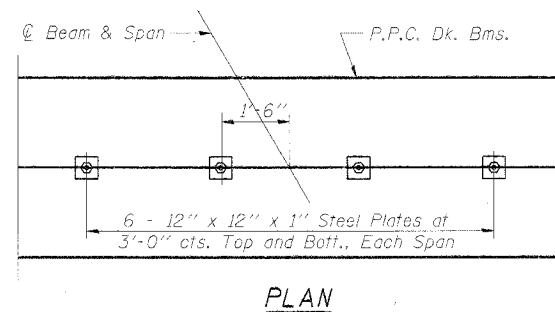
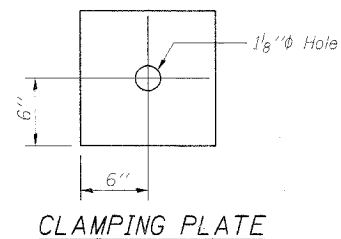


STAGE 1 CONSTRUCTION
(Looking South)



STAGE 2 CONSTRUCTION
(Looking South)

** As an alternate to the drilled holes, the Contractor may request the Fabricator to cast 2" diameter semi-circular recesses in the sides of each beam adjacent to the stage construction line. These recesses should align to form a hole at the appropriate locations for the clamping device bolts. If the Contractor elects to use this alternate, the details shall be identified on the shop drawings.



SHEAR KEY CLAMPING DETAILS AT STAGE CONST. JT.

Cost included with Precast Prestressed Concrete Dock Beams (21" depth)

STAGE CONSTRUCTION
US 51 / HICKORY CREEK
F.A.P. ROUTE 322
FAYETTE COUNTY
SN 026-0037

DESIGNED	MBH
CHECKED	NRF
DRAWN	MBH
CHECKED	NRF

EXAMINED	200
PASSED	ENGINEER OF BRIDGE DESIGN
	ENGINEER OF BRIDGES AND STRUCTURES