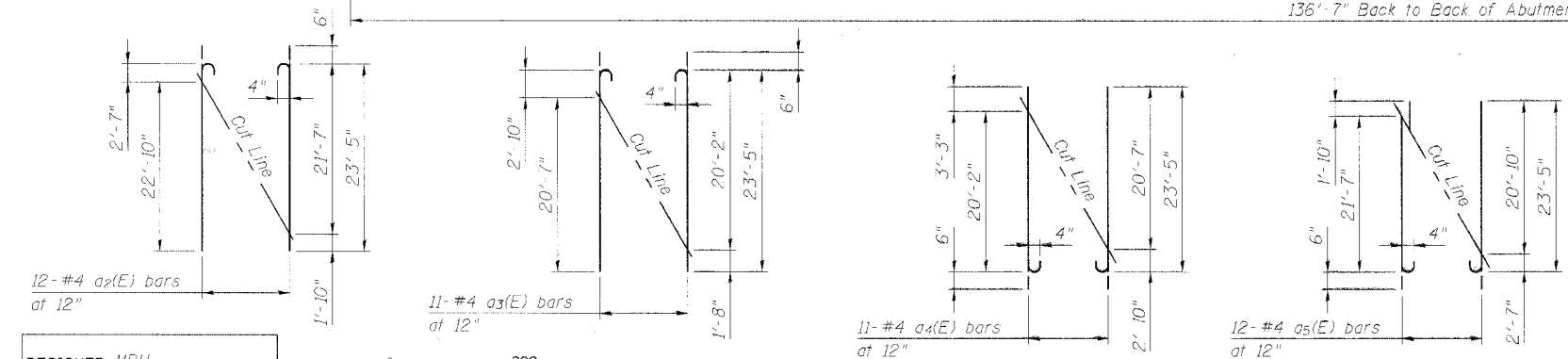
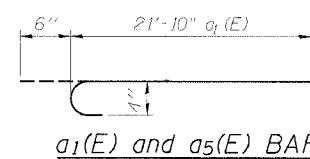
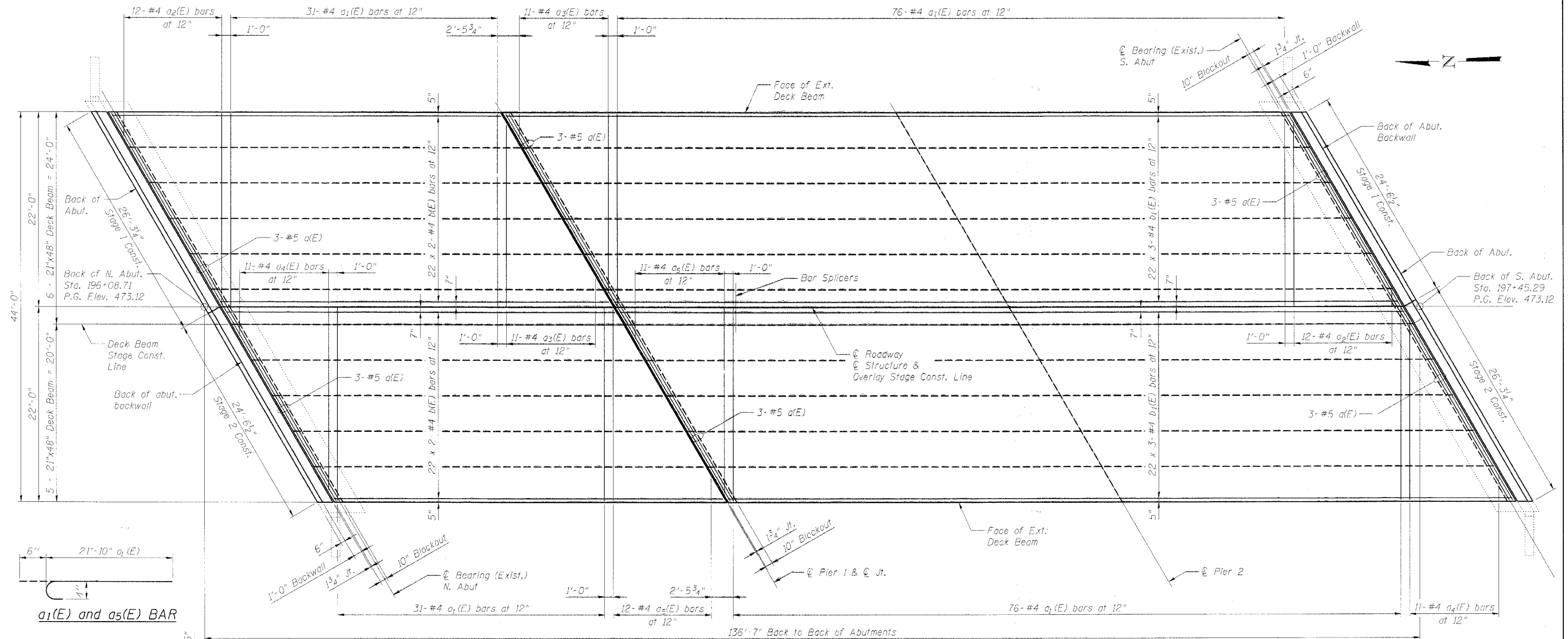


STATE OF ILLINOIS
DEPARTMENT OF TRANSPORTATION

ROUTE NO.	SECTION	COUNTY	SHEETS	SHEET NO.
FAP 322	(23-BR-2)BR	FAYETTE	19	12
11 SHEETS				
Contract # 9496B				



DESIGNED MBH	200
CHECKED NRF	EXAMINED
DRAWN MBH	PASSED
CHECKED NRF	ENGINEER OF BRIDGE DESIGN
	ENGINEER OF BRIDGES AND STRUCTURES

Field cutting will result in one unused a5 bar of 1'-10" in length.

Bars indicated thus 1 x 2 -#5 etc. indicates 1 line of bars with 2 lengths per line.

SUPERSTRUCTURE
BILL OF MATERIAL

Bar	No.	Size	Length	Shape
a1(E)	18	#5	25'-3"	—
a1(E)	214	#4	22'-4"	—
a2(E)	12	#4	23'-11"	—
a3(E)	11	#4	23'-11"	—
a4(E)	11	#4	23'-11"	—
a5(E)	12	#4	23'-11"	—
b(E)	88	#4	22'-9"	—
b1(E)	132	#4	30'-6"	—
Reinforcement Bars, Epoxy Coated	Pound	8,430		
Concrete Wearing Surface, 5"	Sq. Yds.	650		

SUPERSTRUCTURE PLAN
US 51 / HICKORY CREEK
F.A.P. ROUTE 322
FAYETTE COUNTY
SN 026-0037