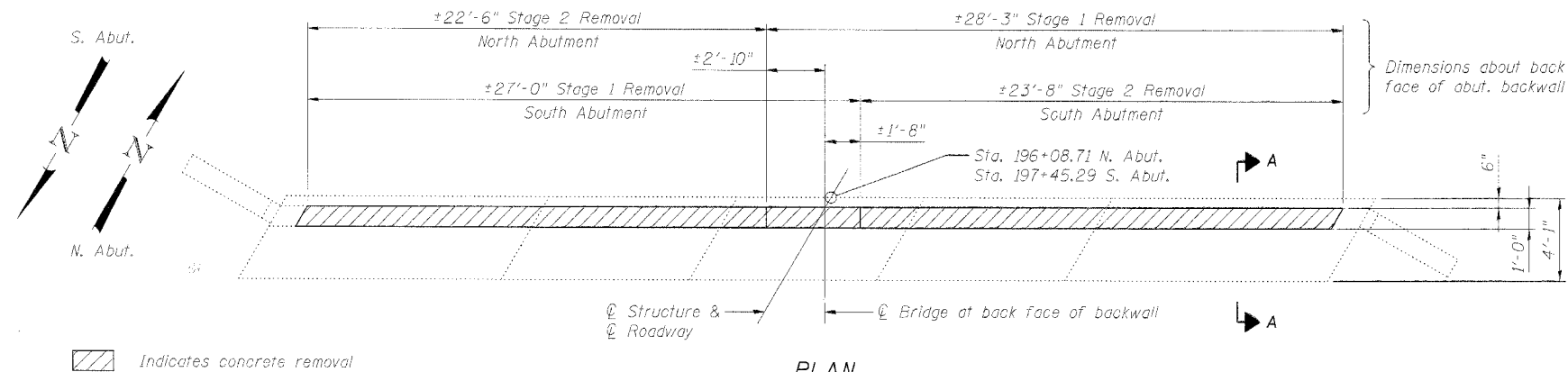


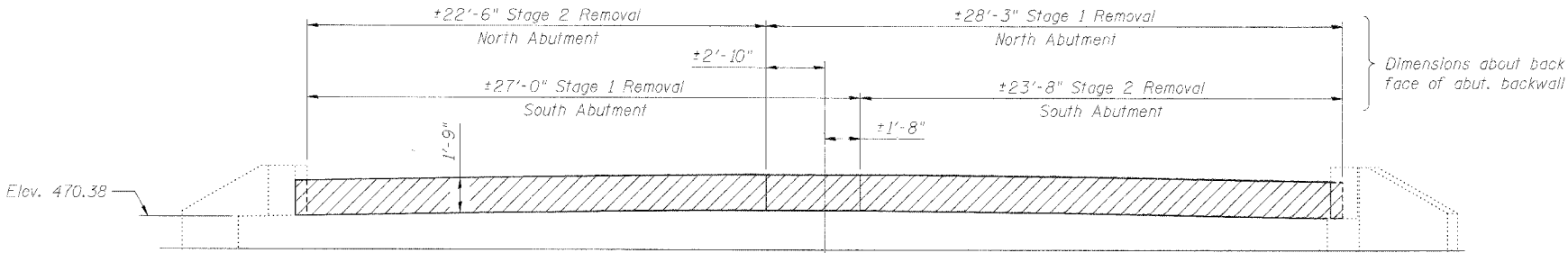
STATE OF ILLINOIS  
DEPARTMENT OF TRANSPORTATION

ROUTE NO.	SECTION	COUNTY	SHEET NO.	SHEET	SHEET NO.
FAP 322	(23-BR-2)BR	FAYETTE	19	18	11 SHEETS
FED. ROAD DIST. NO. 7	ILLINOIS	FED. AID PROJ. NO.			

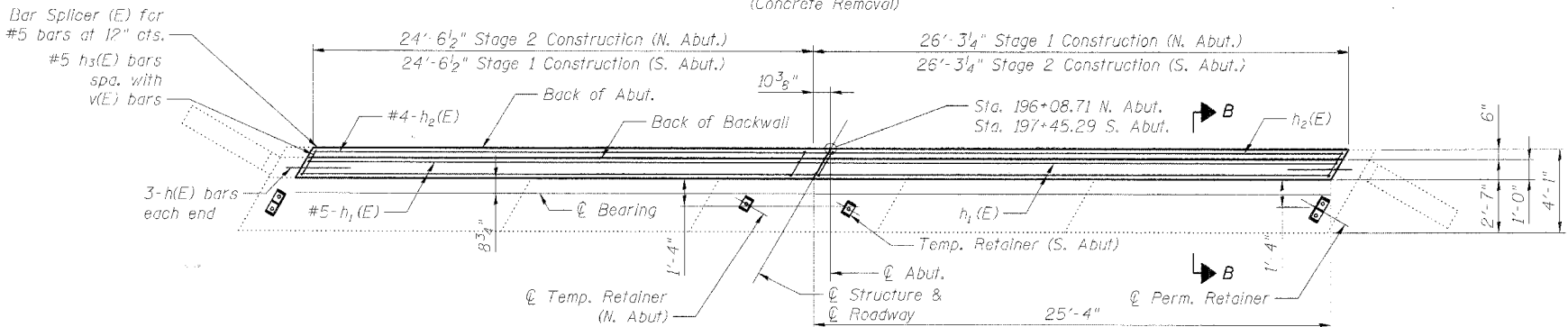
Contract # 9496B



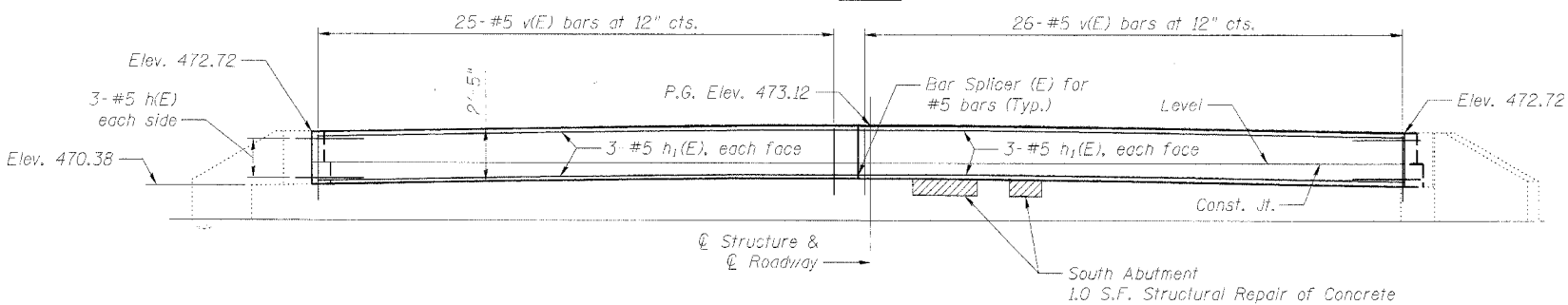
**PLAN**  
(Concrete Removal)



**ELEVATION**  
(Concrete Removal)

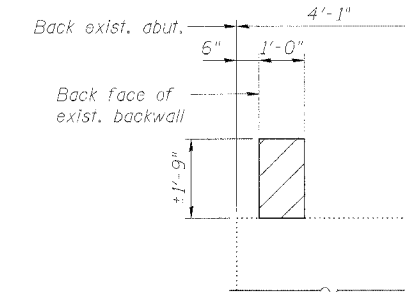


**PLAN**

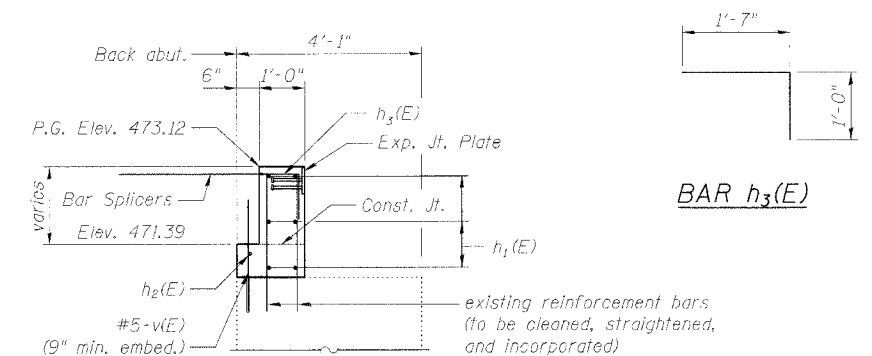


**ELEVATION**

DESIGNED MBH	200
CHECKED NRF	EXAMINED
DRAWN MBH	ENGINEER OF BRIDGE DESIGN
CHECKED NRF	PASSED
	ENGINEER OF BRIDGES AND STRUCTURES



**SECTION A-A**



**SECTION B-B**

Note:  
Concrete backwall to be poured after deck beams are erected.  
All v(E) Bars are to be drilled and grouted according to Section 584 of the Standard Specifications.

**BILL OF MATERIAL**

Bar	No.	Size	Length	Shape
h(E)	12	#5	3'-0"	—
h1(E)	24	#5	25'-5"	—
h2(E)	4	#4	25'-5"	—
h3(E)	102	#5	2'-7"	—
v(E)	102	#5	3'-1"	—
Concrete Removal		Cu. Yd.		6.6
Concrete Structures		Cu. Yd.		10.3
Reinforcement bars, Epoxy Coated		Pound		1350
Structural Repair of Concrete (Depths Equal to or Less than 5 Inches)		Sq. Ft.		1

**ABUTMENT DETAILS**  
**US 51 / HICKORY CREEK**  
**F.A.P. ROUTE 322**  
**FAYETTE COUNTY**  
**SN 026-0037**