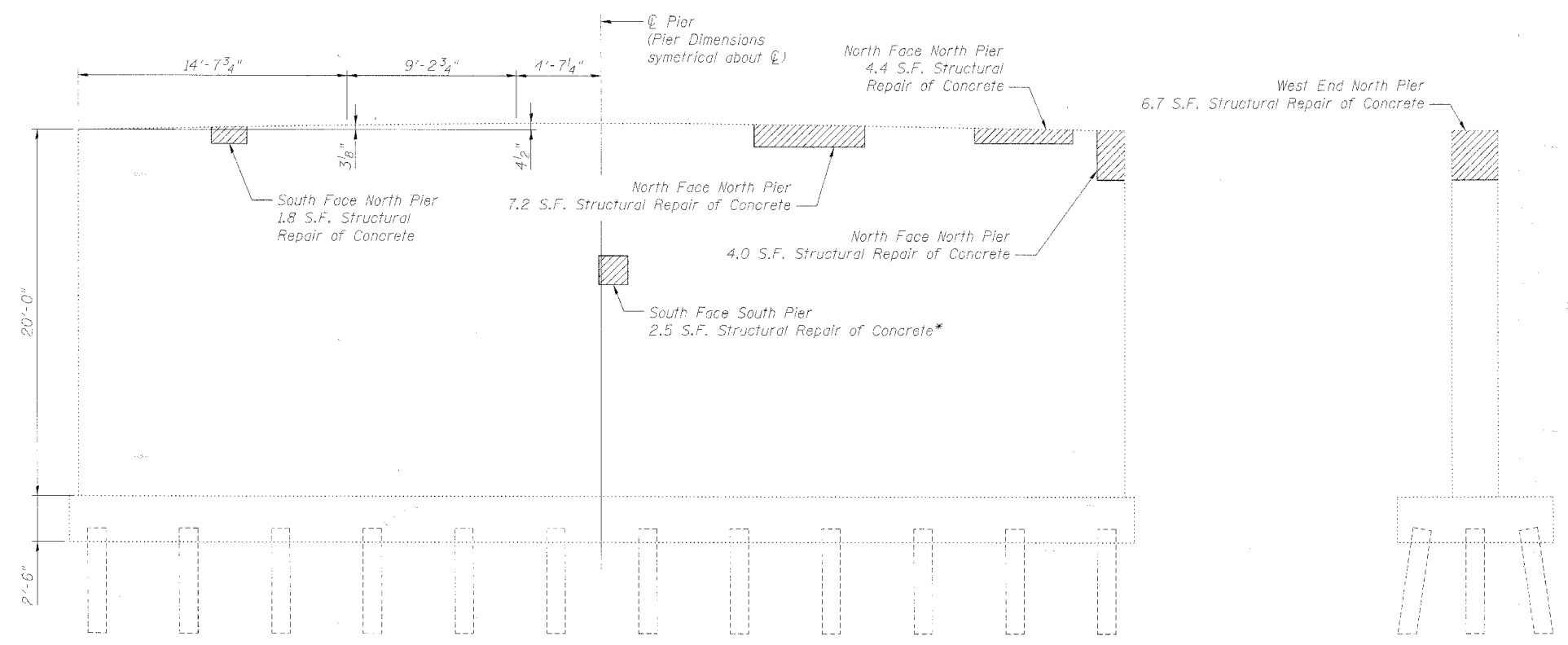
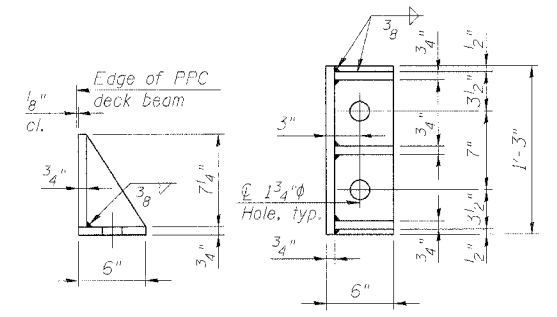
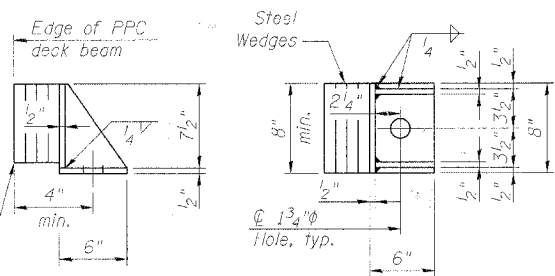
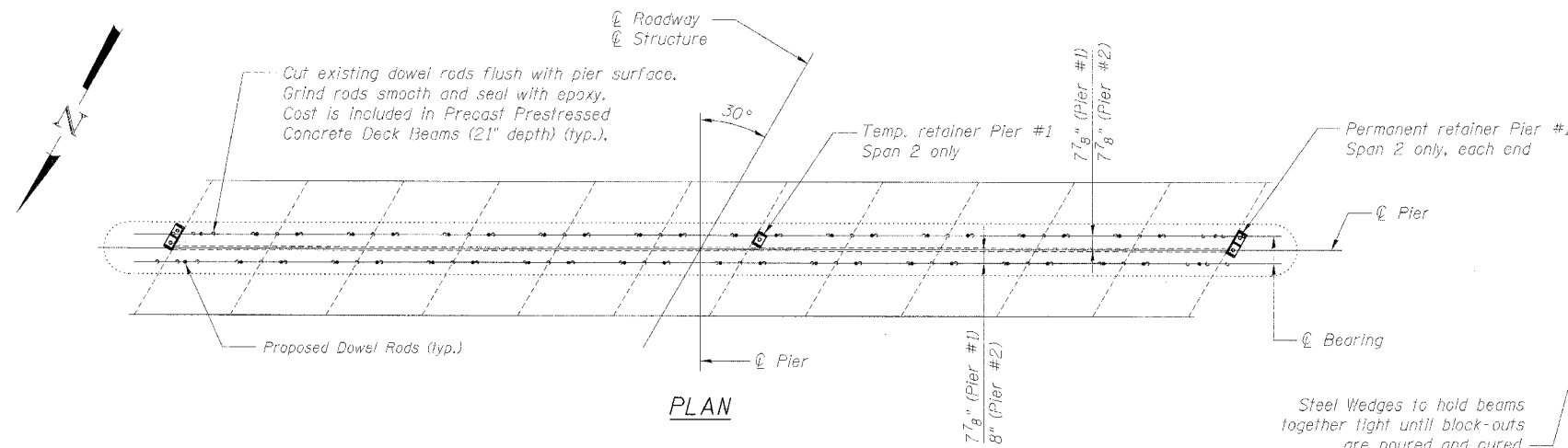


STATE OF ILLINOIS  
DEPARTMENT OF TRANSPORTATION

ROUTE NO.	SECTION	COUNTY	TOTAL SHEETS	SHEET NO.	SHEET NO. 11 11 SHEETS
FAP 322	123-BR-2/BR	FAYETTE	19	19	
FED. ROAD DIST. NO. 7	ILLINOIS	FED. AID PROJECT			

Contract # 9496B



**ANCHOR BOLTS FOR RETAINERS**

Holes in the masonry for anchor bolts shall be drilled according to the manufacturer's recommendation after beams or girders have been erected and adjusted.

Prior to setting the bolts, the holes shall be dry and all dust and loose particles shall be removed by the use of compressed air or vacuuming.

The anchor bolts, furnished and installed including the epoxy grout or capsules shall not be paid for separately but shall be included in the unit bid price for Precast Prestressed Concrete Deck Beams (21" Depth).

The Contractor may use, at his option, the capsule of the adhesive cartridge type anchor rods that have been previously tested and given a prior approval by the Department. The Contractor shall install these anchor rods in pre-drilled holes according to the manufacturer's recommendations and procedures.

Cost of anchor bolts and side retainers are included with the deck beams. Anchor bolts shall be ASTM F1554 all-thread (or an Engineer-approved alternate material) of the grade(s) and diameter(s) specified. ASTM A307 Grade C anchor bolts may be used in lieu of ASTM F1554 Grade 36. The corresponding specified grade of AASHTO M314 anchor bolts may be used in lieu of ASTM F1554. Anchor bolts at fixed bearings may be either cast in place or installed in holes drilled after the supported member is in place.

Drilled and set anchor bolts shall be installed according to Article 521.06 of the Standard Specifications.

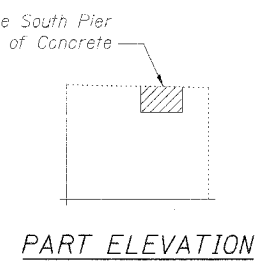
ITEM	TYPE	SIZE	EMBEDDED DEPTH
Anchor Bolts for Retainers	F1554 Grade 36	1 1/2" φ	9 1/4"

AASHTO M314 Grade 36, ASTM F1554 Grade 55, or AASHTO M314 Grade 5b anchor bolts may be substituted for the anchor bolts shown above.

**BILL OF MATERIAL**

Item	Unit	Quantity
Structural Repair of Concrete (Depths Equal to or Less than 5 Inches)	Sq. Ft.	28

DESIGNED MBH	200
CHECKED NRF	EXAMINED
DRAWN MBH	PASSED
CHECKED NRF	ENGINEER OF BRIDGE DESIGN
	ENGINEER OF BRIDGES AND STRUCTURES



PIER DETAILS  
US 51 / HICKORY CREEK  
F.A.P. ROUTE 322  
FAYETTE COUNTY  
SN 026-0037