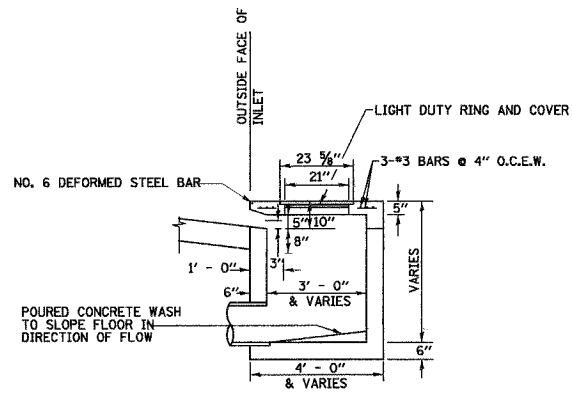
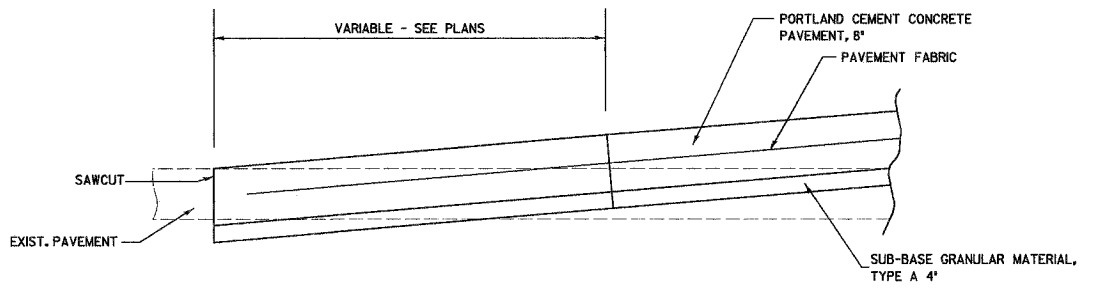
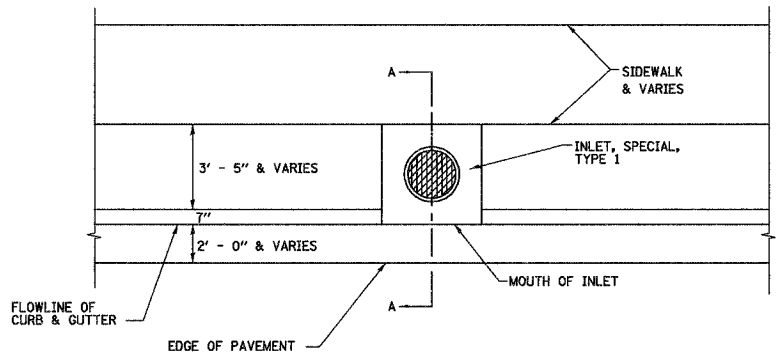


F.A. RTE.	SECTION	COUNTY	TOTAL SHEETS	SHEET NO.
8899	03-00026-00-RP	MADISON	107	75
FED. ROAD DIST. NO.	ILLINOIS	FED. AID PROJECT		

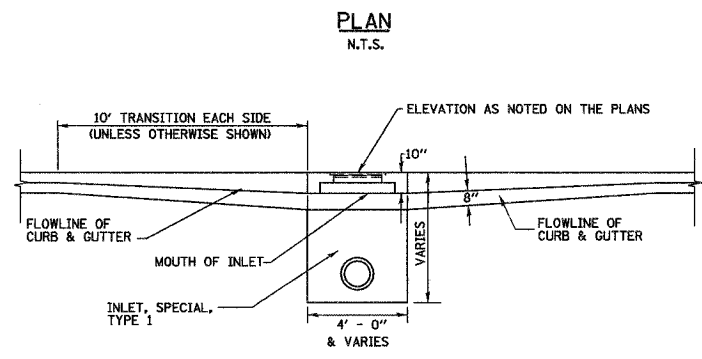
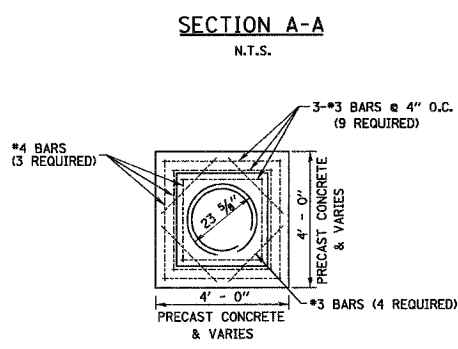
CONTRACT NO. 97295



NOTES:
REINFORCING BARS USED IN THE INLET SHALL BE #4 BARS @ 10" O.C. BOTH WAYS.



NOTE: SAWCUT SHALL BE CONSIDERED INCLUDED IN THE COST OF CONSTRUCTION

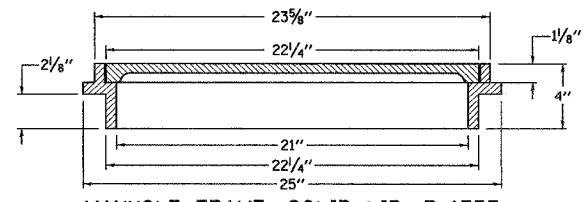


NOTES:
REINFORCING BARS, CLASS "PC" CONCRETE, CAST IRON RING AND COVER, AND ALL MATERIAL AND LABOR SHALL BE INCLUDED IN THE UNIT PRICE BID FOR "INLETS, SPECIAL, TYPE 1" COMPLETE AND IN PLACE.
THE TOPS OF ALL INLETS WHICH ARE LOCATED IN CURVES SHALL BE CONSTRUCTED TO CONFORM TO THE RADIUS OF THE CURVE.
THE INLET SHALL BE KLUETER BROS. CATCH BASIN W/FLAT LID OR SIMILAR BASED ON STRUCTURE SIZE.
THE INLET LID SHALL BE KLUETER BROS. K-33 CATCH BASIN LID OR SIMILAR.
THE LIGHT DUTY RING AND COVER SHALL BE NEENAH FOUNDRY NO. R-1737 OR SIMILAR.
DETAILS ARE BASED ON +4' O.D. STRUCTURE AND WILL VARY BASED ON REQUIRED STRUCTURE SIZE.
FOR THE INLETS, SPECIAL, TYPE 2 AND TYPE 5, THERE SHALL BE AN OPENING SIMILAR TO THE OPENING AS SHOWN IN SECTION A-A PLACED IN ALL FOUR SIDES OF THE STRUCTURE.

TYPE	THICKNESS
PRECAST CONCRETE	6"
CAST-IN-PLACE CONCRETE	6"

TYPE	INSIDE WIDTH	LID TYPE
INLETS, SPECIAL, TYPE 1	3 X 3	NORMAL
INLETS, SPECIAL, TYPE 2	3 X 3	AREA
INLETS, SPECIAL, TYPE 3	4 X 4	NORMAL
INLETS, SPECIAL, TYPE 4	6 X 6	NORMAL
INLETS, SPECIAL, TYPE 5	6 X 6	AREA

INLETS, SPECIAL, TYPE 1
TYPE 2, TYPE 3, TYPE 4, AND TYPE 5
N.T.S.



BY	DATE
FINAL SURVEY	
SURVEY PLOTTED	
NOTE BOOK	
TEMPLATE	
AREAS CHECKED	
NO.	

BY	DATE
ORIGINAL SURVEY	
SURVEY PLOTTED	
NOTE BOOK	
TEMPLATE	
AREAS CHECKED	
NO.	

Juneau Associates, Inc. P.C.
CONSULTING ENGINEERS AND LAND SURVEYORS
2100 State Street, P.O. Box 1325 / 100 North Research Drive
Granite City, Illinois 62040 / Edwardsville, Illinois 62025
Phone: (618) 977-4400 / (618) 482-9299 / Fax: (618) 977-4400 / (618) 482-9299

MISCELLANEOUS DETAILS
F.A.U. ROUTE 8899
GLEN CROSSING ROAD
GLEN CARBON, ILLINOIS
SECTION No. 03-00026-00-RP

REVISIONS			
NO.	DATE	BY	REMARKS

SCALE:	N.T.S.
DSN. BY:	BFK
DATE:	12/13/06
DWN. BY:	JJB
DATE:	12/13/06
CHKD:	BFK
DATE:	12/13/06
DWG. NO.	JOB NO. 040630 DGN. NAME: MISC.DTL.S1 OF 107 SHTS

SHEET
75