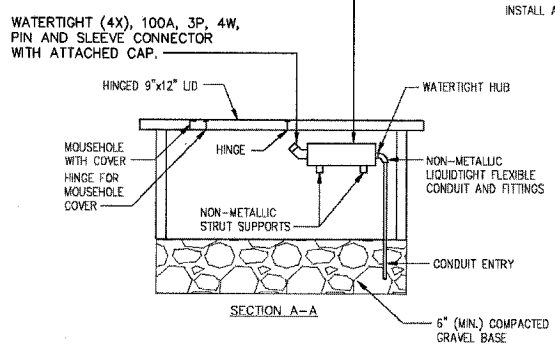


PORTLAND CEMENT CONCRETE
HEAVY DUTY

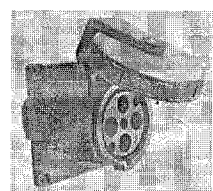
6 HEAVY DUTY HANDHOLE
E4.1 NO SCALE

PROVIDE CAST ALUMINUM BACK BOX (SEE DETAIL #2, THIS SHEET) AND NONMETALLIC (VALOX) NEMA 4X WATERTIGHT PIN AND SLEEVE CONNECTOR WITH INTEGRAL MECHANICAL INTERLOCK (SWITCH) - FUSED (SEE DETAIL #1, THIS SHEET).



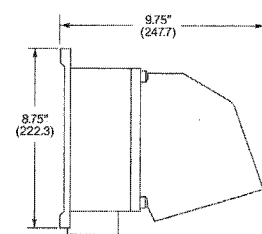
NOTE: ALL FASTENERS SHALL BE 316 STAINLESS STEEL.

5 100 AMP RECESSED PLUG
E4.1 NO SCALE

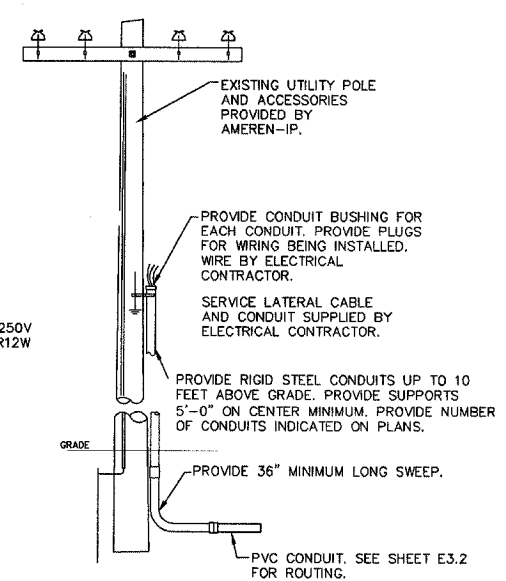


1 PIN AND SLEEVE
E4.1 NO SCALE

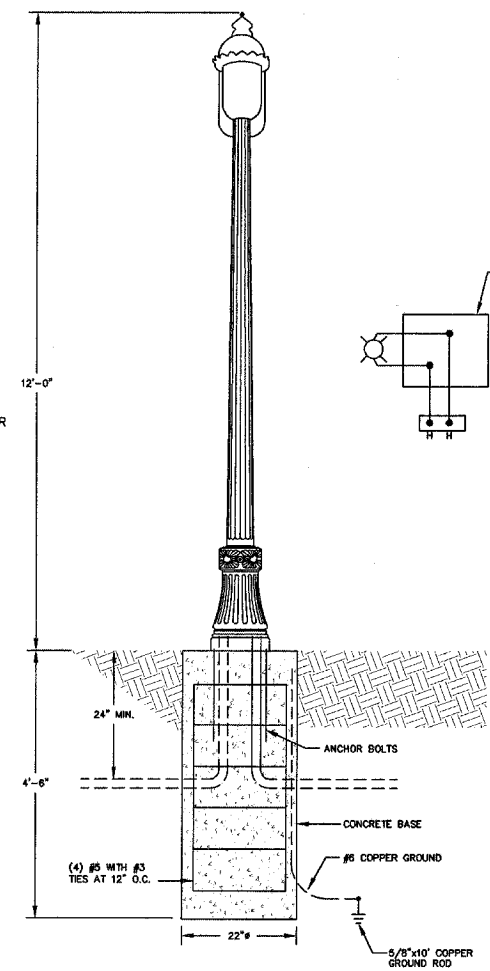
(3P, 4W - 125/250V
COOPER CW4100R12W
OR EQUAL)



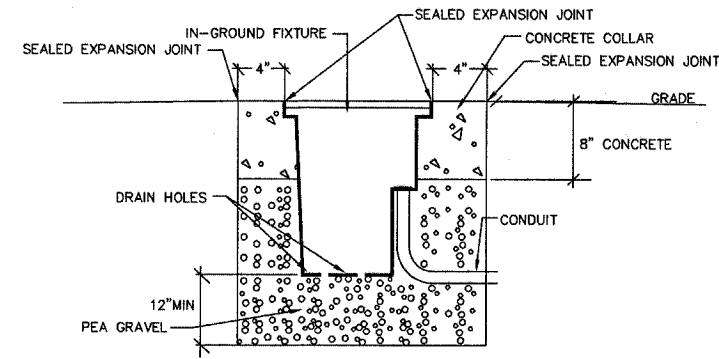
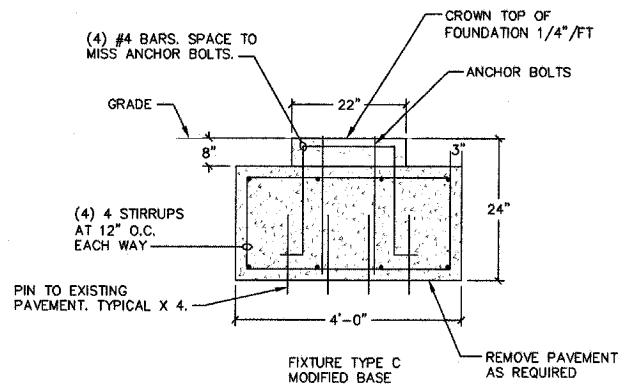
2 CAST ALUMINUM BACK BOX
E4.1 NO SCALE



6 RISER POLE DETAIL
E4.1 NO SCALE



3 LIGHT FIXTURE TYPE C
E4.1 NO SCALE

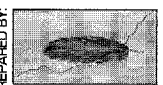


4 LIGHT FIXTURE TYPE "D & E" DETAIL
E4.1 NO SCALE

GENERAL NOTES

1. CONTRACTOR SHALL LOCATE ALL EXISTING UTILITIES PRIOR TO BEGINNING CONSTRUCTION.
2. UNLESS NOTED OTHERWISE, ALL CONDUIT SHALL BE PVC.
3. ROUTE CONDUITS AROUND TREE PLANTING AREAS.
4. ALL LIGHTING SHALL REMAIN OPERATIONAL UNTIL NEW IS INSTALLED AND MADE OPERATIONAL.

Kaskaskia Engineering Group L.L.C.
23 Public Square Suite 404
Belleville, Illinois 62220
Office: (618)-233-5977 Fax: (618)-233-5977
www.kaskaskiaeng.com
A Disadvantaged Business Enterprise

PREPARED BY: 
LICENSE NO. 16-000715
PROFESSIONAL REGISTRATIONS ILLINOIS PROFESSIONAL DESIGN FIRM PROFESSIONAL ENGINEERING CORP. 20-508068

BRIC
PARTNERSHIP, LLC
CONSULTING ENGINEERS
100 EAST WASHINGTON, SUITE 220
BELLEVILLE, ILLINOIS 62220
TEL 618.277.5500 FAX 618.277.5527

Signature: _____
Expiration Date: _____

REV	DATE	DESCRIP

SHEET TITLE: **ELECTRICAL DETAILS**

PROJECT TITLE: **BELLEVILLE SQUARE CITY OF BELLEVILLE ST. CLAIR COUNTY, ILLINOIS**

DESIGNED BY: ESF	SHEET
DRAWN BY: GYK/ESP	40
CHECKED BY: BEC	E4.1
DATE OF PRELIMINARY: 08/17/2007	
DATE OF FINAL: 	

SHEET NO. **2** OF 13 SHEETS
PROJECT NUMBER **07-0041**