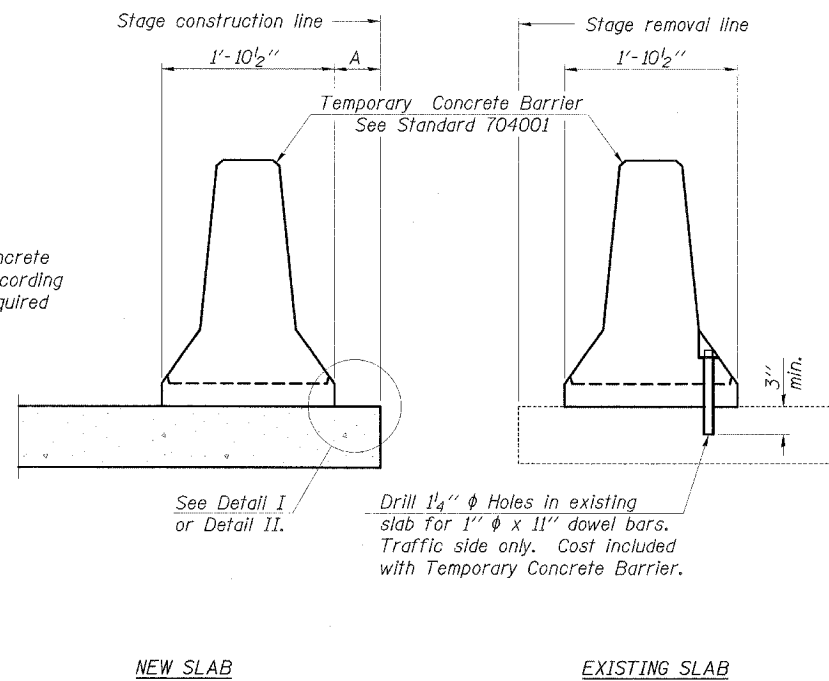
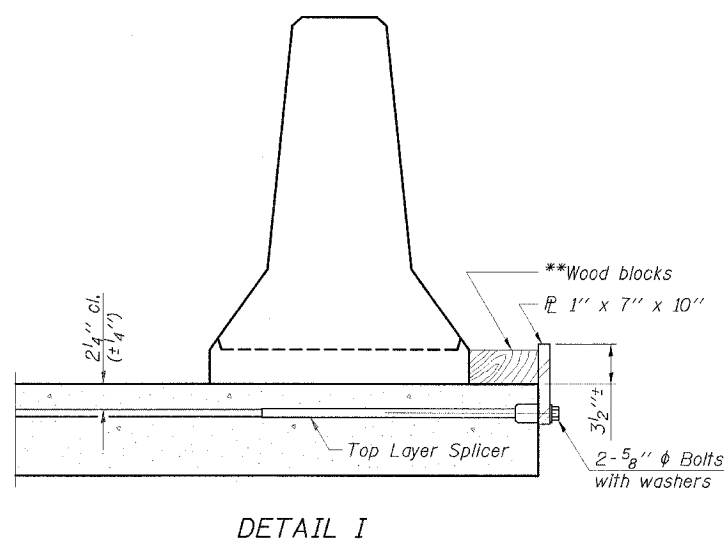


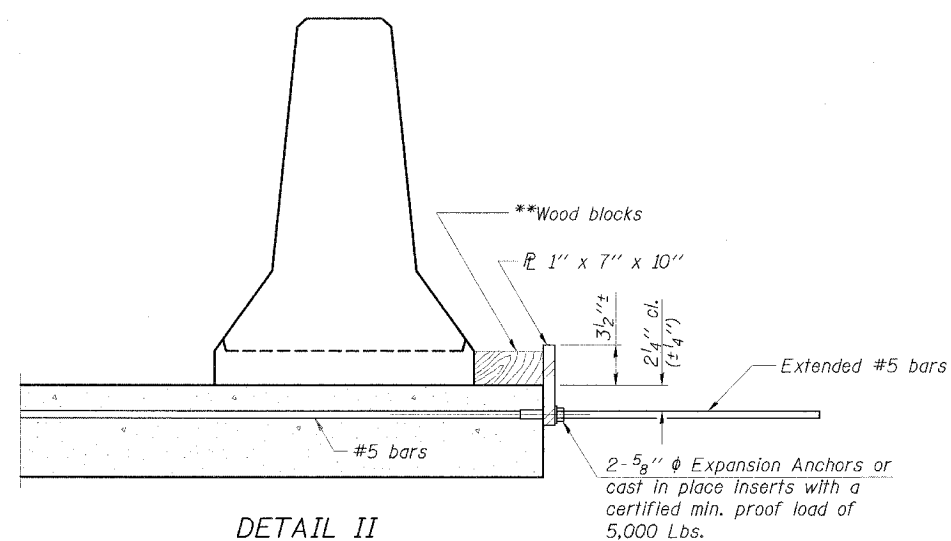
When "A" is 3'-6" or less, the temporary concrete barrier shall be anchored to the new slab according to Detail I or Detail II. No anchorage is required when "A" is greater than 3'-6".



SECTIONS THRU SLAB



DETAIL I



DETAIL II

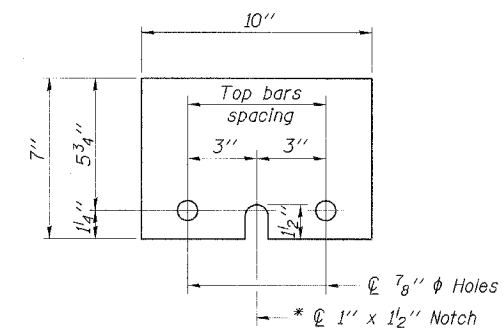
** Wood blocks may be omitted when required to provide minimum stage traffic lane width. When the wood blocks are omitted, the concrete barrier shall be in direct contact with the steel retainer plate.

NOTES

Detail I - With Bar Splicer or Couplers:
Connect one (1) 1"x7"x10" steel \bar{L} to the top layer of couplers with 2-5/8" ϕ bolts screwed to coupler at approximate \bar{C} of each barrier panel.

Detail II - With Extended Reinforcement Bars:
Connect one (1) 1"x7"x10" steel \bar{L} to the concrete slab with 2-5/8" ϕ Expansion Anchors or cast in place inserts spaced between the top layer of reinforcement at approximate \bar{C} of each barrier panel.

Cost of anchorage is included with Temporary Concrete Barrier. The 1" x 7" x 10" plate shall not be removed until stage II construction forms and all reinforcement bars are in place and the concrete is ready to be placed.

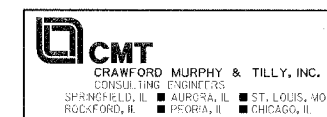


STEEL RETAINER \bar{L} 1" x 7" x 10"

* Required only with Detail II

REVISIONS	
NAME	DATE

ILLINOIS DEPARTMENT OF TRANSPORTATION
TEMPORARY CONCRETE BARRIER
 F.A.P. ROUTE 853 (IL. RTE. 14)
 ILLINOIS ROUTE 14 OVER
 DRUMMOND BRANCH
 SECTION 6B-1 STA. 149+71.25
 STR. NO. 028-0075 - FRANKLIN COUNTY
 SCALE: NONE
 DATE: 6/6/07
 DRAWN BY: GLD
 CHECKED BY: WLB



L:\PROJECTS\060660\SN_0280075\draw\sheeters\TEMP CONC BARR R-27.dgn 6/5/2007