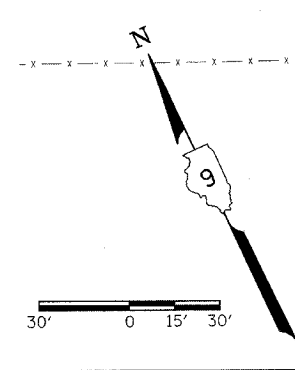
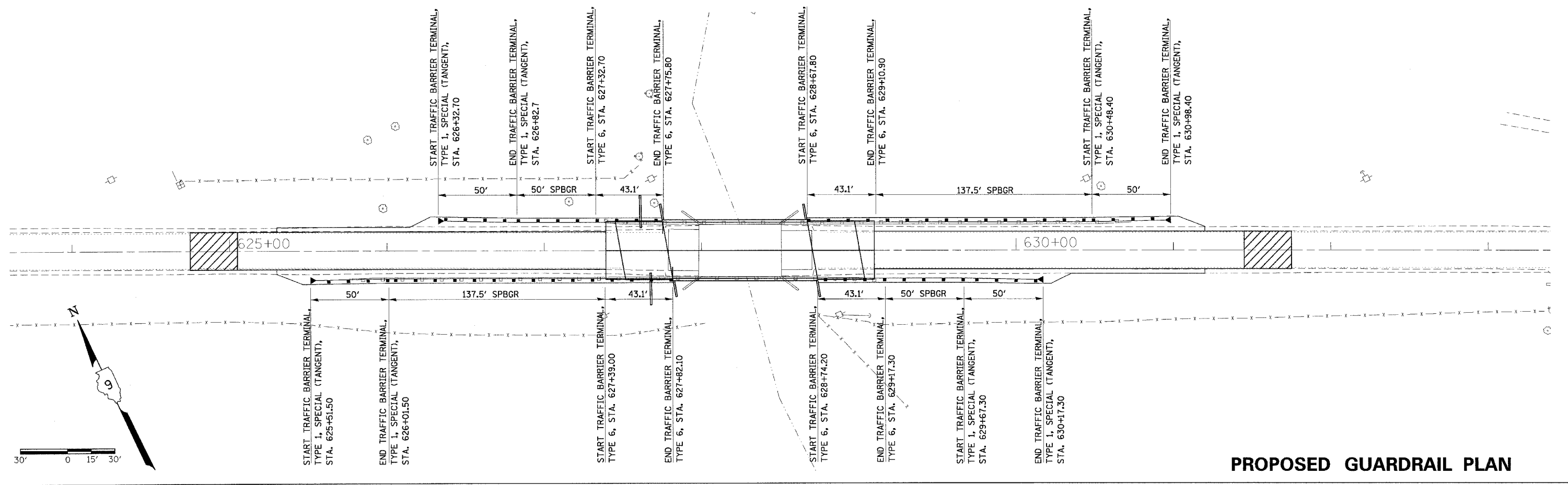
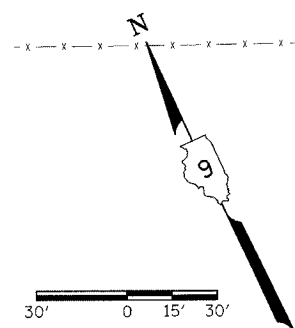
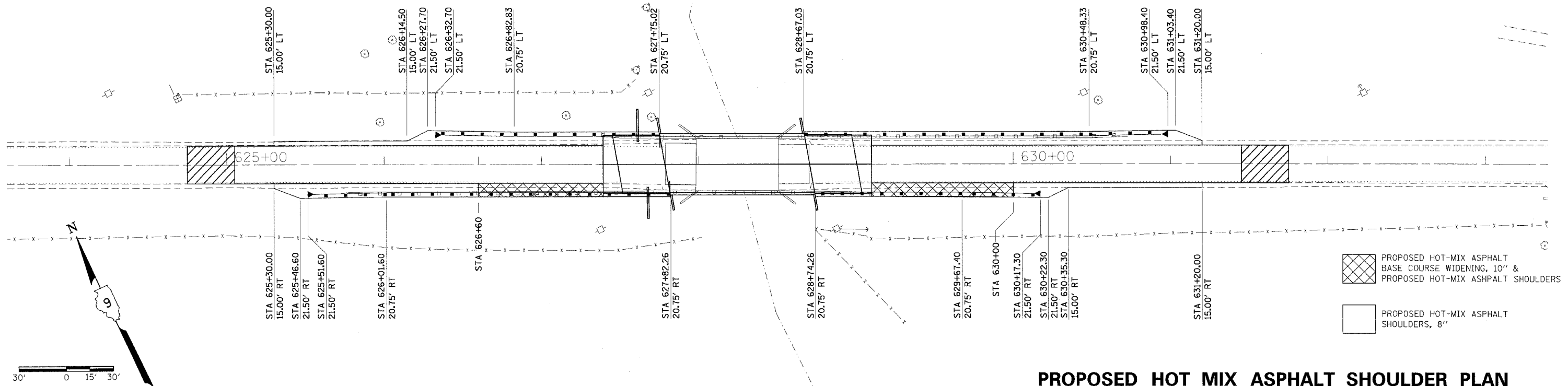


| F.A.P. RTE. | SECTION | COUNTY | TOTAL SHEETS | SHEET NO |
|-------------|-----------|---------|--------------|----------|
| 885 | (107A)B-1 | JOHNSON | 38 | 11 |

FED ROAD DIST NO. 7 ILLINOIS FED AID PROJECT
 CONTRACT NUMBER 98776



PLOT DATE = 7/30/2007
 FILE NAME = s:\projects\98776\98776.dwg
 PLOT SCALE = 1/8" = 1'-0"
 USER NAME = jharrington

PROPOSED GUARDRAIL PLAN
HOT MIX ASPHALT SHOULDER AND GUARDRAIL PLAN