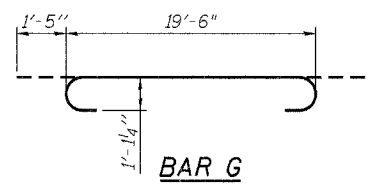
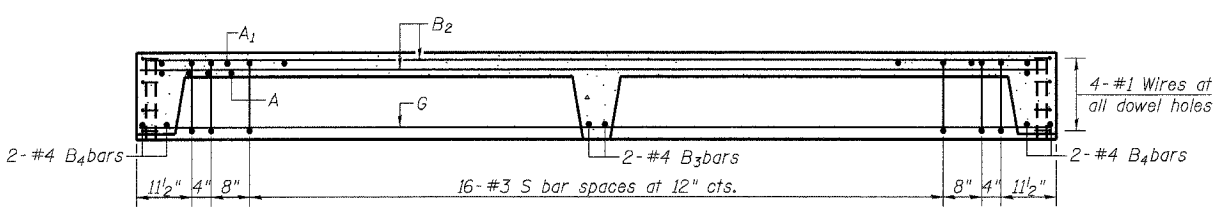
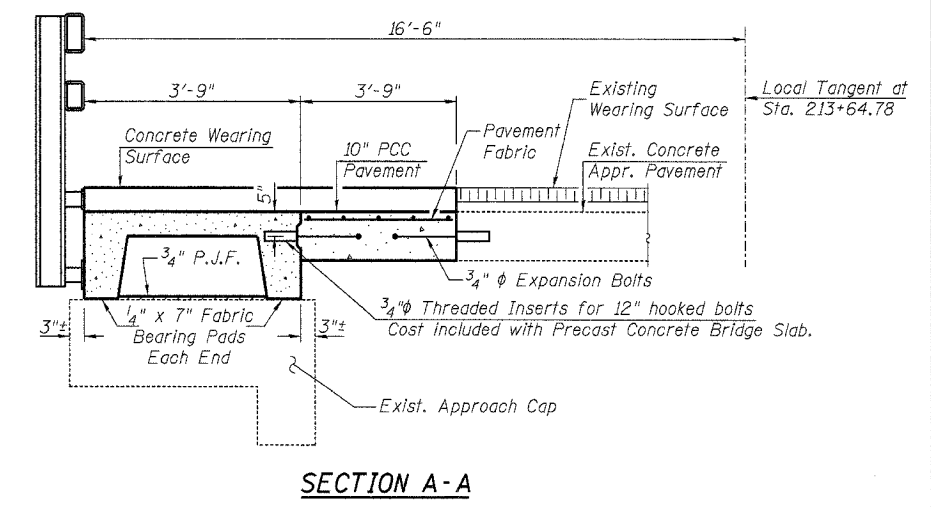
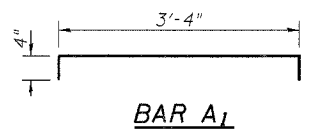
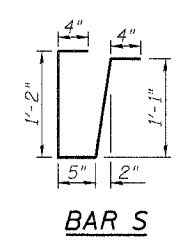
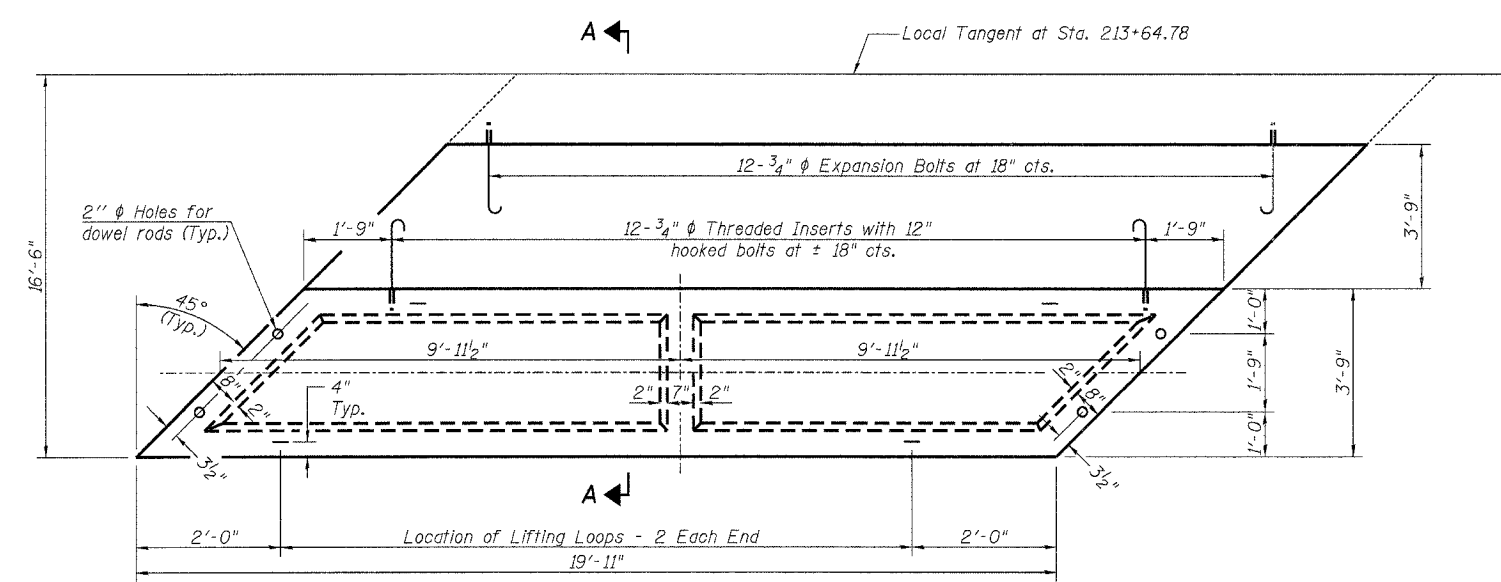


**BAR LIST (ONE UNIT)**  
Reinforcement to be cast into slab

Bar	No.	Size	Length	Shape
A	50	#4	3'-3"	—
A <sub>1</sub>	27	#4	4'-0"	—
B <sub>2</sub>	10	#4	19'-6"	—
B <sub>3</sub>	2	#4	3'-6"	—
B <sub>4</sub>	4	#4	5'-0"	—
G	4	#10	22'-4"	—
S	42	#4	3'-4"	—

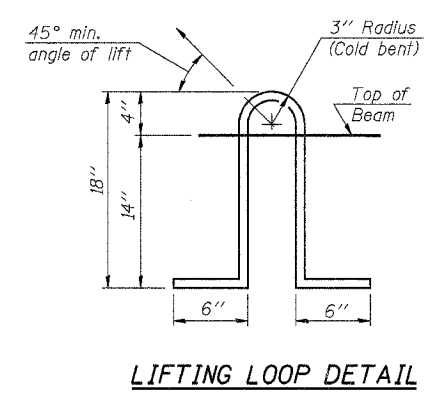
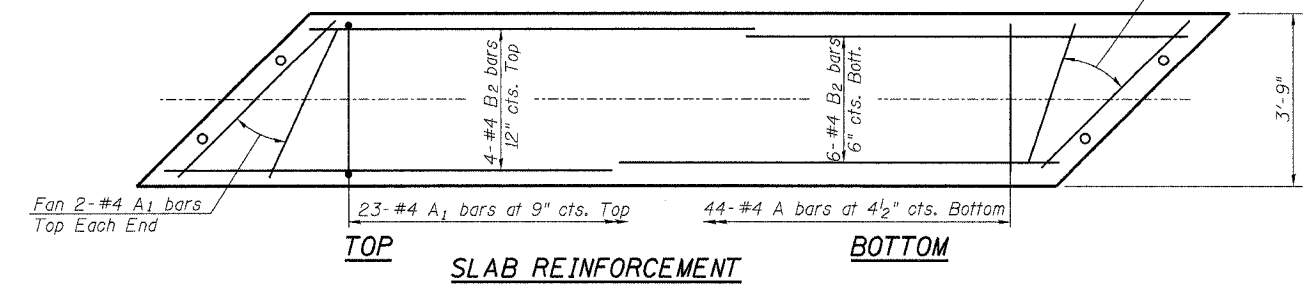


**NOTES**

The Precast Concrete Bridge Slab shall be erected and aligned with the exterior face of the exterior Deck Beam after Deck Beams are in final position. Lifting loops shall be 2-1/2" φ-270 ksi strands, as shown. Anchor dowels grouted in place in existing holes. Corrosion Inhibitor, per Article 1020.05(b)(12) of the Standard Specifications, shall be used in the concrete for precast concrete bridge slabs. Reinforcement and accessories cast into the slab unit, bearing pads, furnishing, drilling for, placing and grouting anchor dowels and 3/4" φ hooked bolts is included in the cost of Precast Concrete Bridge Slab. See Sheet 7 of 12 for location of rail anchorages.

**BILL OF MATERIAL**

Item	Unit	Quantity
Precast Concrete Bridge Slab	Sq. Ft.	299
Portland Cement Concrete Pavement (10")	Sq. Yd.	33.2
Pavement Fabric	Sq. Yd.	33.2
Expansion Bolts, 3/4" φ	Each	48



**Lin Engineering, Ltd.**  
Consulting Engineers  
Chatham, Illinois

Designed By: DCS  
Checked By: MTH  
Date: 03/2007

Drawn By: AJP  
File: D44-0010.DGN

REVISIONS	
NAME	DATE

ILLINOIS DEPARTMENT OF TRANSPORTATION  
**APPROACH DETAILS**  
U.S. ROUTE 45 OVER  
CAVE CREEK  
F.A.S. ROUTE 960 - SECTION 38 B-1  
JOHNSON COUNTY  
STA. 213+64.78  
STRUCTURE NO. 044-0010

8/16/2007 2:50:53 PM ...\\044-0010.dgn