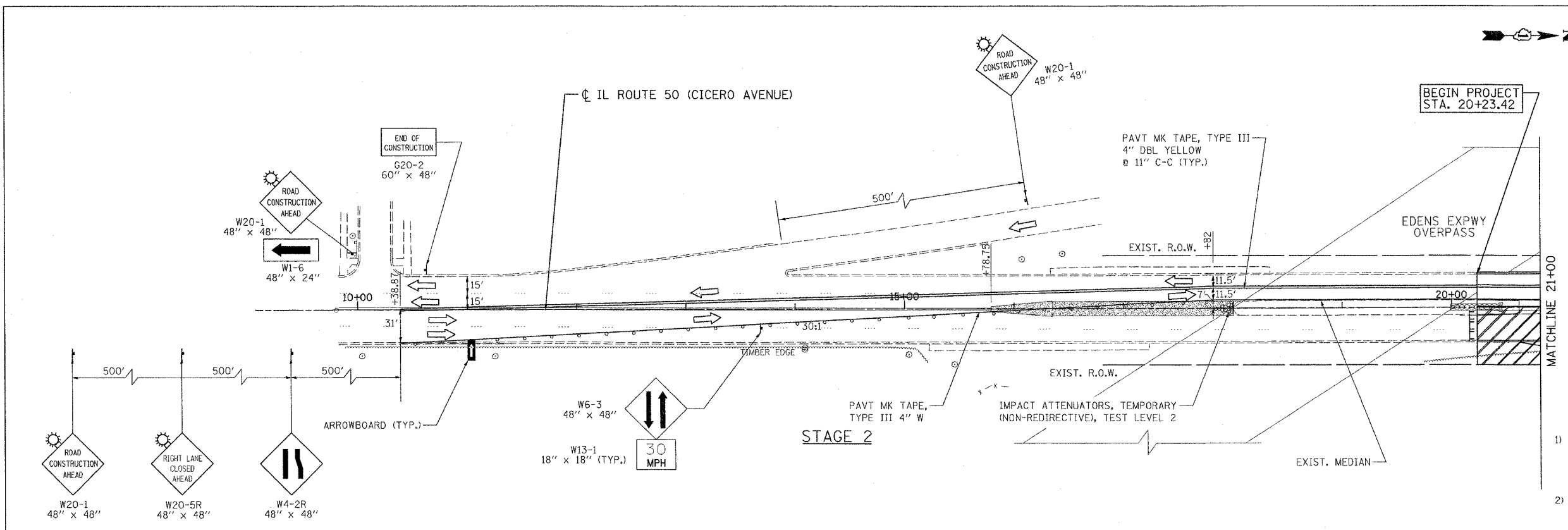
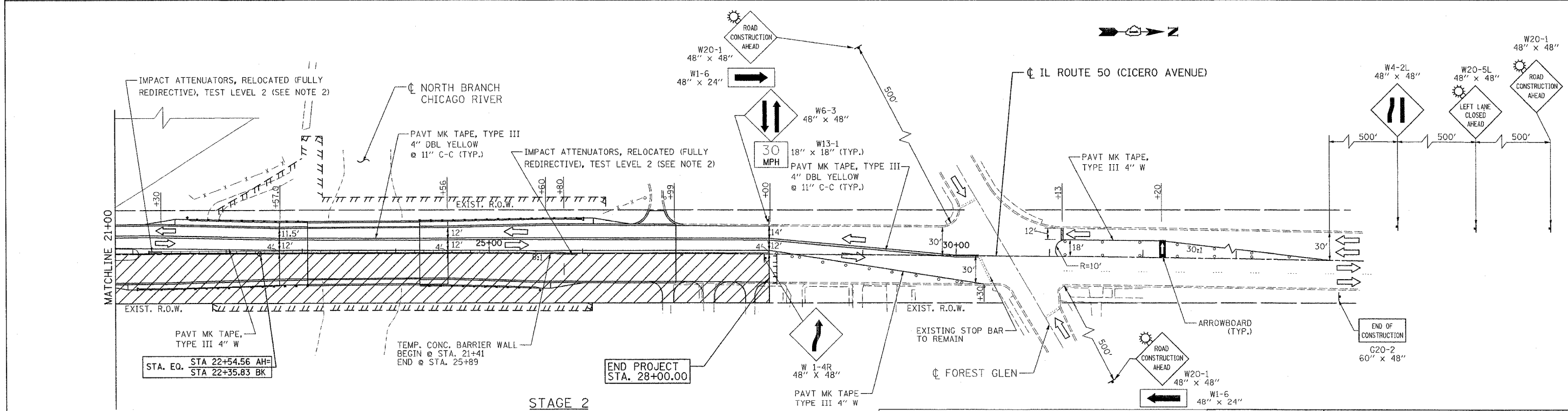


F.A.P. RTE.	SECTION	COUNTY	TOTAL SHEETS	SHEET NO.
350	57B-3I	COOK	62	13
STA. 20+23.42		TO STA. 28+00.00		
FED. ROAD DIST. NO.	ILLINOIS	FED. AID PROJECT		

CONTRACT NO. 60440



- NOTE:
- TEMPORARY PAVEMENT SHALL CONSIST OF 2" BIT. CONC. SURF. CSE, SUPERPAVE, MIX D, N70 8" BIT. BASE CSE, SUPERPAVE (SEE TEMPORARY PAVEMENT SPECIAL PROVISION)
 - RELOCATED FROM STAGE 1



LEGEND

- WORK ZONE
- TEMPORARY PAVEMENT (SEE NOTE)
- TYPE III BARRICADE W/ TWO FLASHING BEACONS EACH (TYP.)
- SIGN ON PERMANENT OR PORTABLE SUPPORT
- TYPE II BARRICADES OR DRUMS W/ MONODIRECTIONAL STEADY BURNING LIGHT @ 50' C-C ALONG ROADWAY (TANGENT), 25' C-C ALONG TAPERS, AND 12' C-C ALONG RADII.

REVISIONS

NAME	DATE

ILLINOIS DEPARTMENT OF TRANSPORTATION
ILLINOIS ROUTE 50 (CICERO AVENUE) OVER
NORTH BRANCH CHICAGO RIVER
SUGGESTED STAGES OF CONSTRUCTION
AND TRAFFIC CONTROL
STAGE 2

SCALE: 1" = 50'
DATE: SEPTEMBER 19, 2006
DRAWN BY: CLW
CHECKED BY: AAC

PATRICK
ENGINEERING INC.
LISLE, ILLINOIS