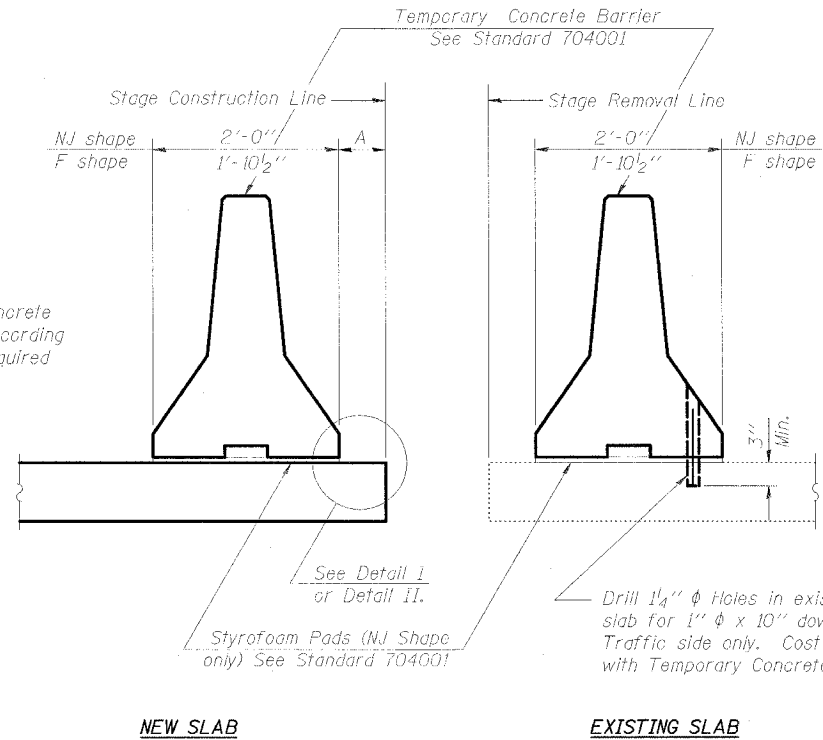


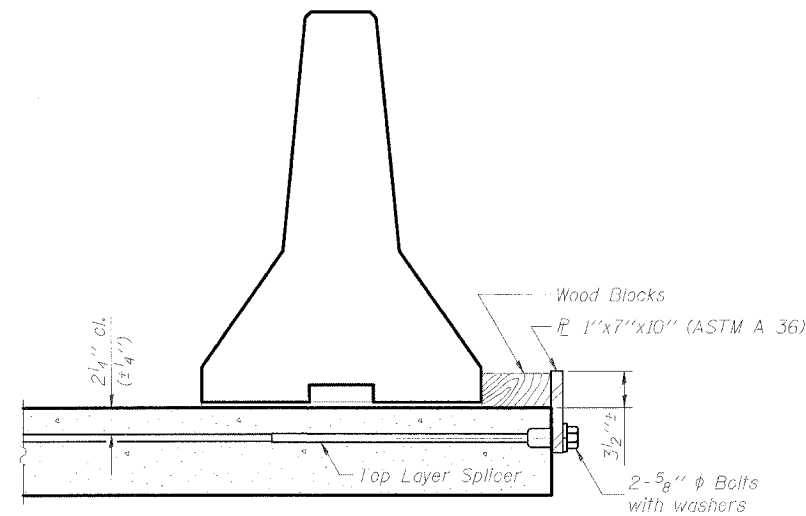
F.A.P. RTE.	SECTION	COUNTY	TOTAL SHEETS	SHEET NO.
350	57B-31	COOK	62	40
FED. ROAD DIST. NO. 7		ILLINOIS FED. AID PROJECT		

CONTRACT NO. 60440

When "A" is 3'-6" or less, the temporary concrete barrier shall be anchored to the new slab according to Detail I or Detail II. No anchorage is required when "A" is greater than 3'-6".

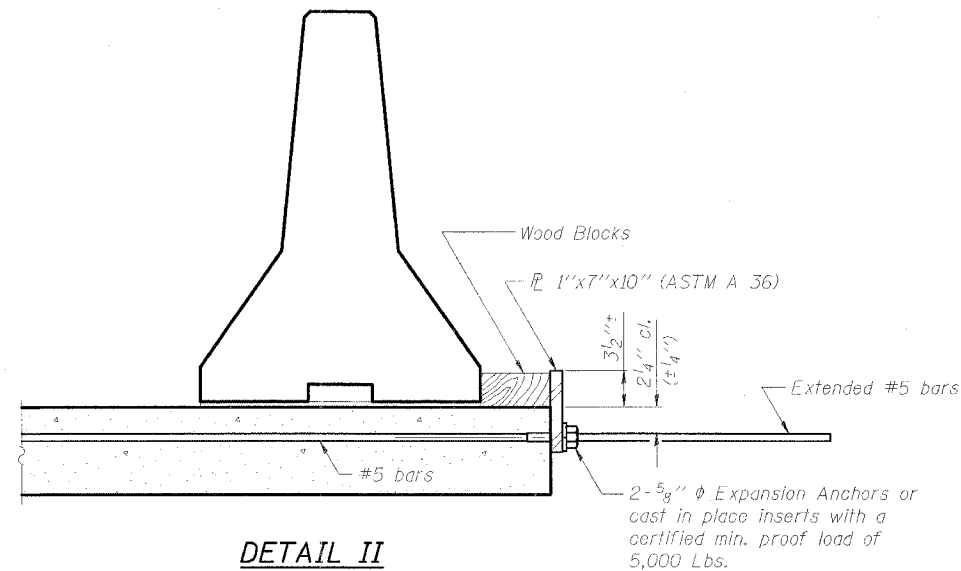


SECTIONS THRU SLAB



DETAIL I

The 1"x7"x10" Plate shall not be removed until Stage II Construction forms and reinforcement bars are in place.

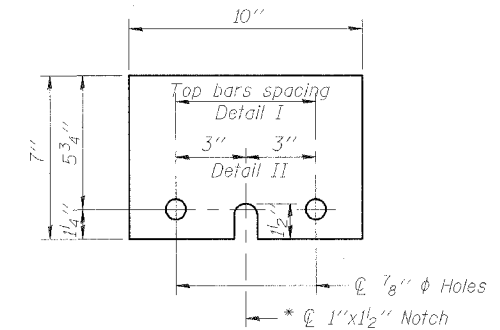


DETAIL II

The 1"x7"x10" Plate shall not be removed until Stage II Construction forms and all reinforcement bars are in place and the concrete is ready to be placed.

NOTES

- Detail I - With Bar Splicer or Couplers:  
Connect one (1) 1"x7"x10" steel  $\bar{L}$  to the top layer of couplers with 2-5/8"  $\phi$  bolts screwed to coupler at approximate  $\bar{C}$  of each barrier panel.
  - Detail II - With Extended Reinforcement Bars:  
Connect one (1) 1"x7"x10" steel  $\bar{L}$  to the concrete slab with 2-5/8"  $\phi$  Expansion Anchors or cast in place inserts spaced between the top layer of reinforcement at approximate  $\bar{C}$  of each barrier panel.
- Cost of anchorage is included with Temporary Concrete Barrier.



1" x 7" x 10"

\* Required only with Detail II

REVISIONS	
NAME	DATE

ILLINOIS DEPARTMENT OF TRANSPORTATION  
 TEMPORARY CONCRETE BARRIER  
 FAP 350 IL ROUTE 50 (CICERO AVE.) OVER  
 NORTH BRANCH OF THE CHICAGO RIVER  
 COOK COUNTY STATION 23+65.80  
 SECTION 57B-31  
 STRUCTURE NO. 016-2782

SCALE: NONE DRAWN BY: M. Belton  
 DATE: AUGUST 18, 2006 CHECKED BY: R. Clinton