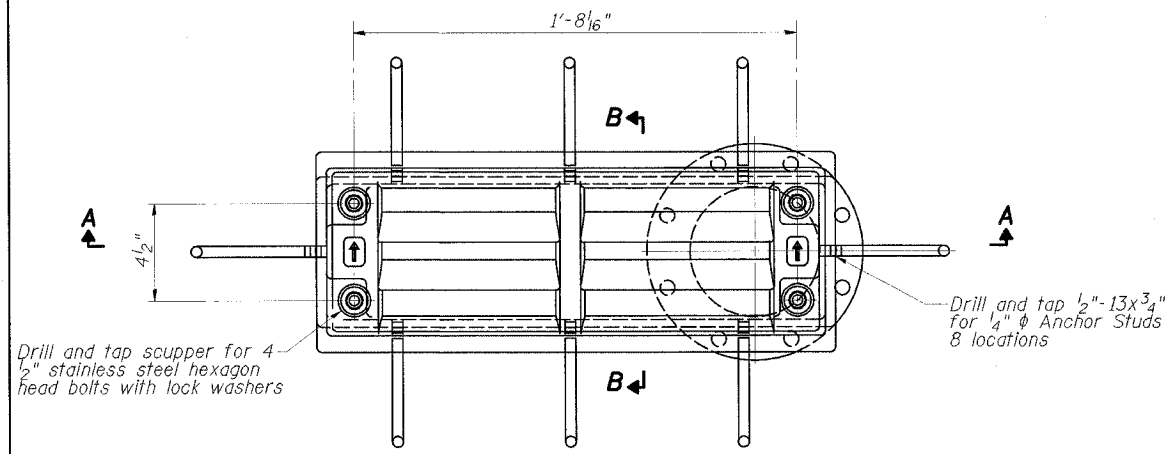
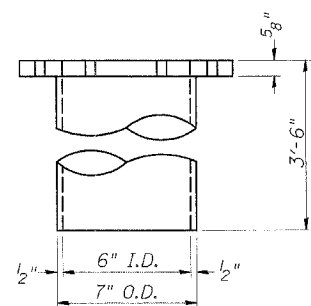
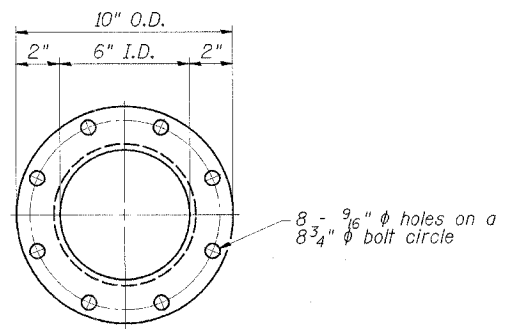


F.A.P. RTE.	SECTION	COUNTY	TOTAL SHEETS	SHEET NO.
350	57B-31	COOK	62	41
FED. ROAD DIST. NO. 7 ILLINOIS FED. AID PROJECT				

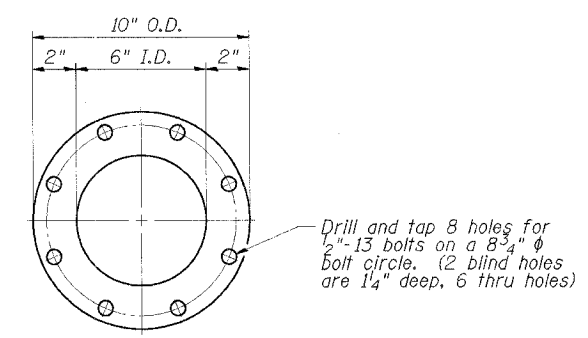
CONTRACT NO. 60440



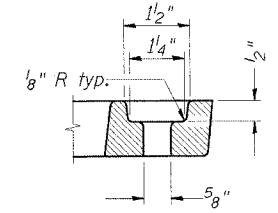
PLAN



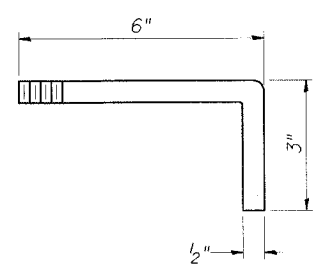
DOWNSPOUT



VIEW C-C



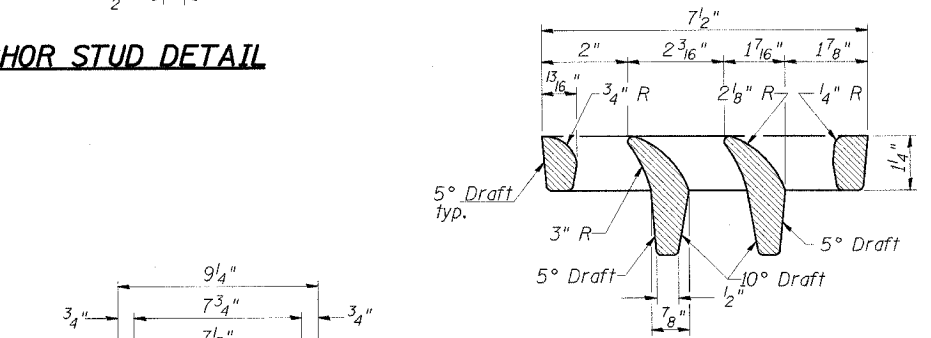
BOLT HOLE DETAIL



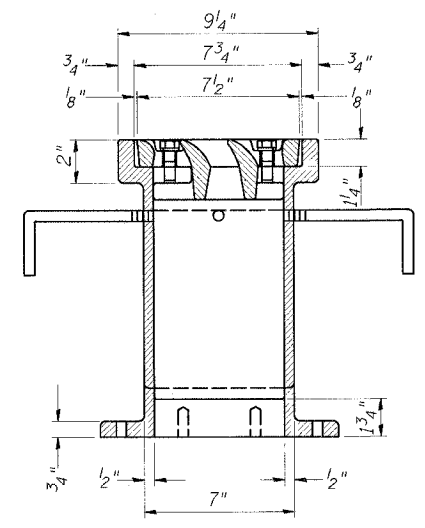
ANCHOR STUD DETAIL

Notes:

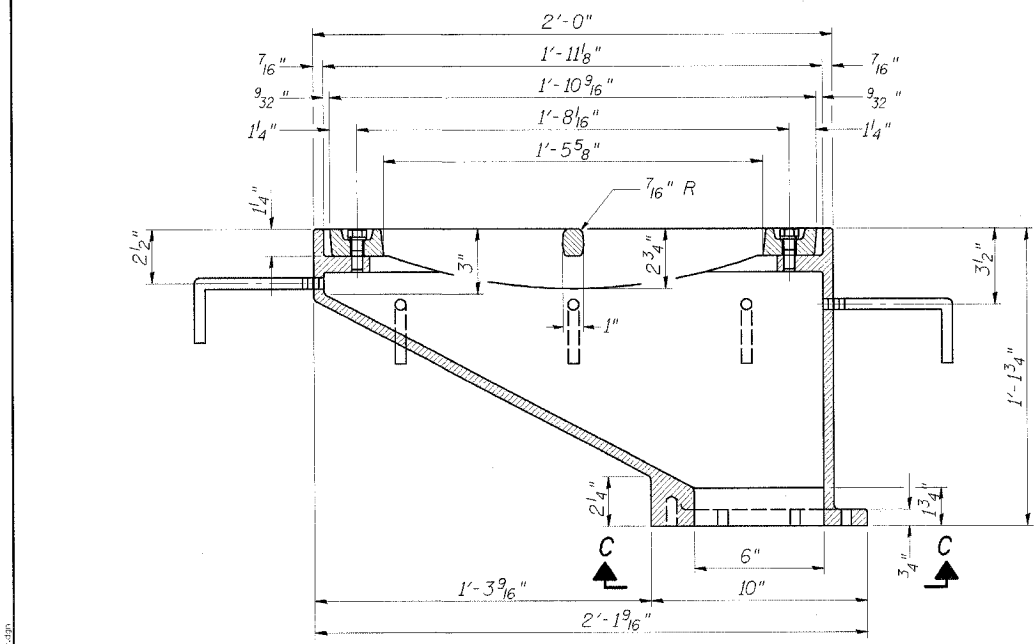
All cast iron parts shall be gray iron conforming to the requirements of AASHTO M 105, Class 35B. Bolts, anchor studs, washers and nuts shall conform to the requirements of ASTM A 307 and shall be galvanized according to AASHTO M 232. The grate, frame and downspout shall be galvanized according to AASHTO M 111 and ASTM A 385. Downspouts located on the exterior side of a painted steel fascia beam shall be painted with the finish coat specified for the exterior side of the fascia beam. As an alternate, bolts, anchor studs, washers and nuts may be stainless steel according to Article 1006.29(d) of the Standard Specifications. Structural steel weldments of equal sections and of the same configuration may be substituted for cast iron. Fillet or full penetration welds shall be used for the weldments. Details shall be submitted to the Engineer for approval. The Contractor shall take appropriate measures to assure that Protective Coat is not applied to the scupper. Cost of the Grate, Frame, Downspout, Anchor Studs, Bolts, Washers and Nuts including complete installation of the scupper shall be paid for at the contract unit price each for Drainage Scupper, DS-12. For Drainage Scupper locations see Sheet S1.



VANE GRATE DETAIL



SECTION B-B



SECTION A-A

BILL OF MATERIAL

ITEM	UNIT	QUANTITY
Drainage Scuppers, DS-12	Each	4

REVISIONS	
NAME	DATE

ILLINOIS DEPARTMENT OF TRANSPORTATION
DRAINAGE SCUPPER DETAILS
FAP 350 IL ROUTE 50 (CICERO AVE.) OVER
NORTH BRANCH OF THE CHICAGO RIVER
COOK COUNTY STATION 23+65.80
SECTION 57B-31
STRUCTURE NO. 016-2782

SCALE: NONE DRAWN BY: M. Belton
DATE: AUGUST 18, 2006 CHECKED BY: R. Clinton

