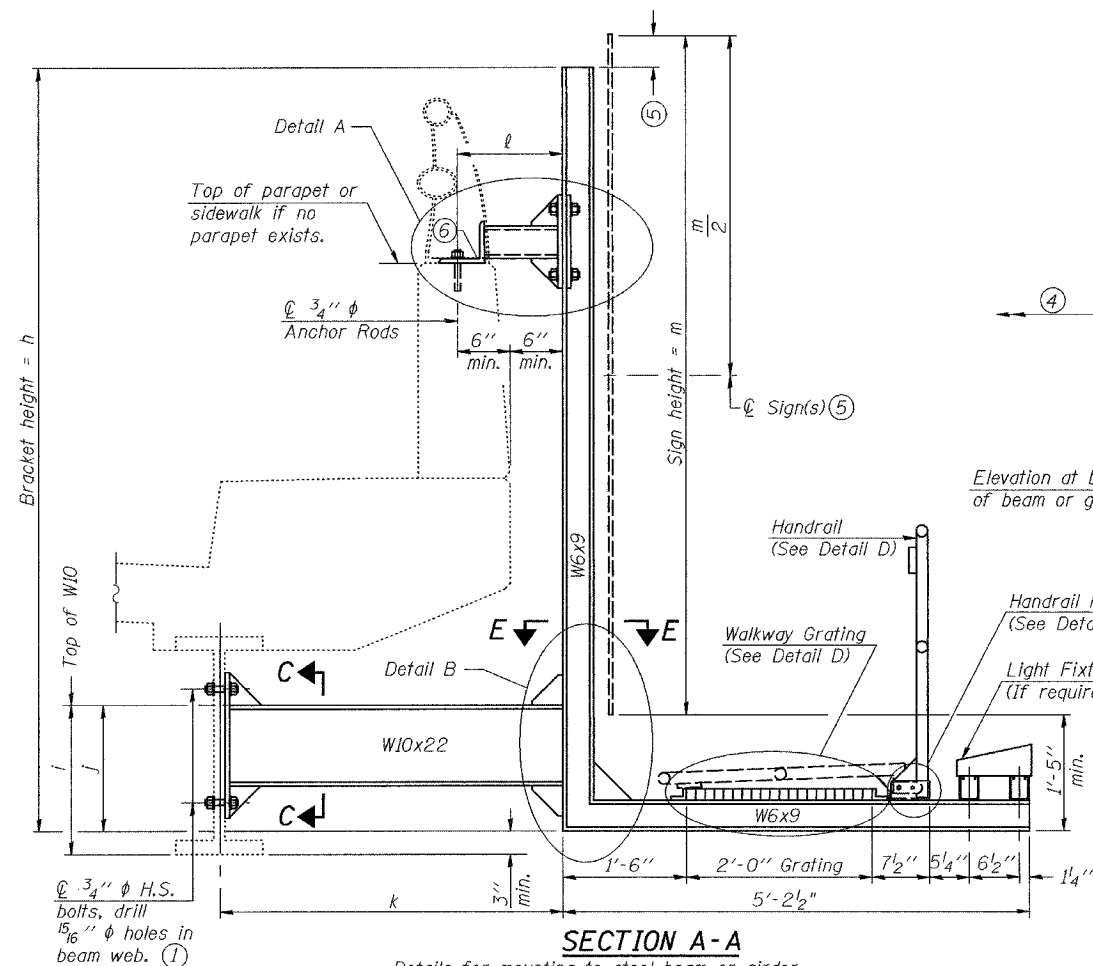


STATE OF ILLINOIS  
DEPARTMENT OF TRANSPORTATION

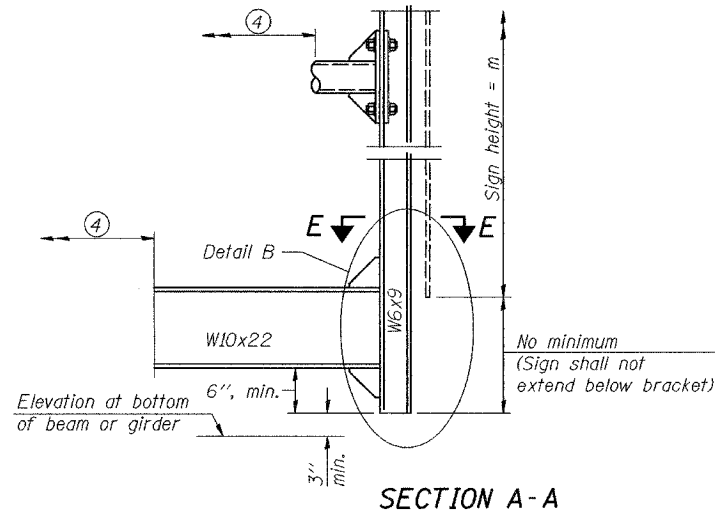
ROUTE NO.	SECTION	COUNTY	TOTAL SHEETS	SHEET NO.
		Cook	13	9
FED. ROAD DIST. NO. 7		ILLINOIS	FED. AID PROJECT-	

Contract Number: 60B16

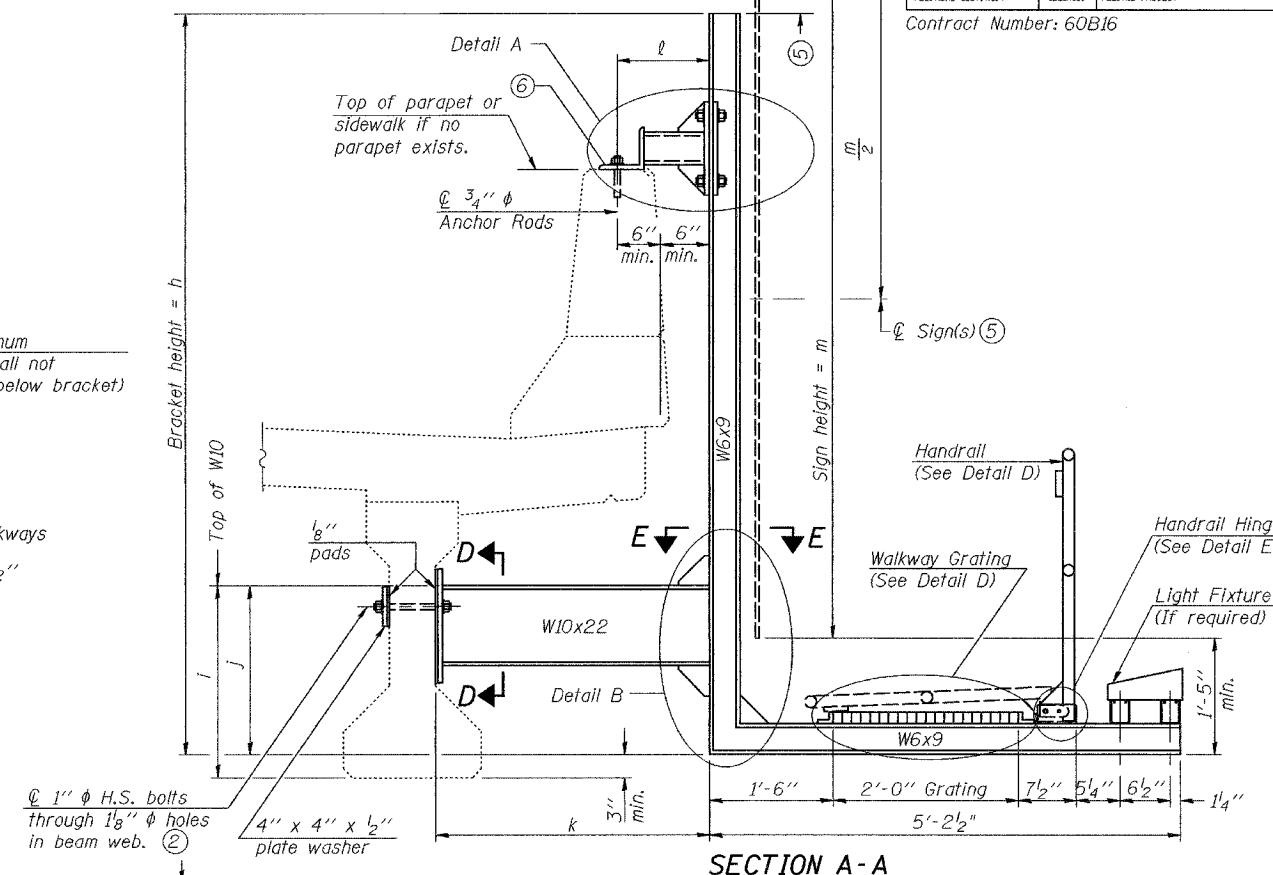
SHEET NO. 5  
8 SHEETS



SECTION A-A  
Details for mounting to steel beam or girder  
& Details for mounting with existing parapet mounted rail



SECTION A-A  
Alternate with no lights or walkways  
④ For attachment details of 3/2" pipe and W10x22, see other sections as applicable.



SECTION A-A  
Details for mounting to PPC I Beam or Bulb "T"  
& Details for mounting to parapet w/o rail

Notes:  
Installations not within dimensional limits shown require special analysis for all components and must be submitted to the Bureau of Bridges and Structures for approval.  
Contractor shall field check all pertinent existing bridge dimensions shown on plans before submitting shop drawings.  
All holes in bridge beams or girders should be located in the middle half of the member. There shall be no holes drilled in the lower quarter of the member's depth. (For R.C. girder, depth = bottom of deck to bottom of the girder.) Proposed exceptions must be approved by the Bureau of Bridges and Structures.  
The Engineer may adjust dimension "i" to meet the above condition and to keep the sign level.

- ⑤ Sign shall not extend more than 6" above top of bracket, and this dimension may vary to keep sign level if bridge is on grade or vertical curve. Multiple signs of various heights shall share a common horizontal centerline and use equal bracket heights. If no sign is attached to a W6x9 vertical (bracket only supporting walkway), dimension h shall be the same as an adjacent bracket with a sign attached, unless Engineer specifically directs shorter brackets due to locational restraints on future uses. (See Detail A for minimum bracket height.)
- ⑥ For bridge mounted sign structures installed on new bridges with railing, during design, bracket spacing must be coordinated with railing post spacing and the Contractor must install upper brackets prior to railing installation. For bridge mounted sign structures installed on existing bridges with railing, during design, brackets spacing must be coordinated with railing post spacing and the Contractor must temporarily remove sections of railing to facilitate upper bracket installation. If existing upper bracket angle is not damaged or torn from the bikeway parapet, the contractor may choose to reuse the upper bracket in lieu of removing existing railing. See sheet 8 of 8 for existing sign structure details. It will be the contractor's responsibility to ensure the structural adequacy of reused upper bracket components. If it is determined during design that existing railings can't be removed, alternate upper connection details must be developed for the contract plans and approved by the Bureau of Bridges and Structures.

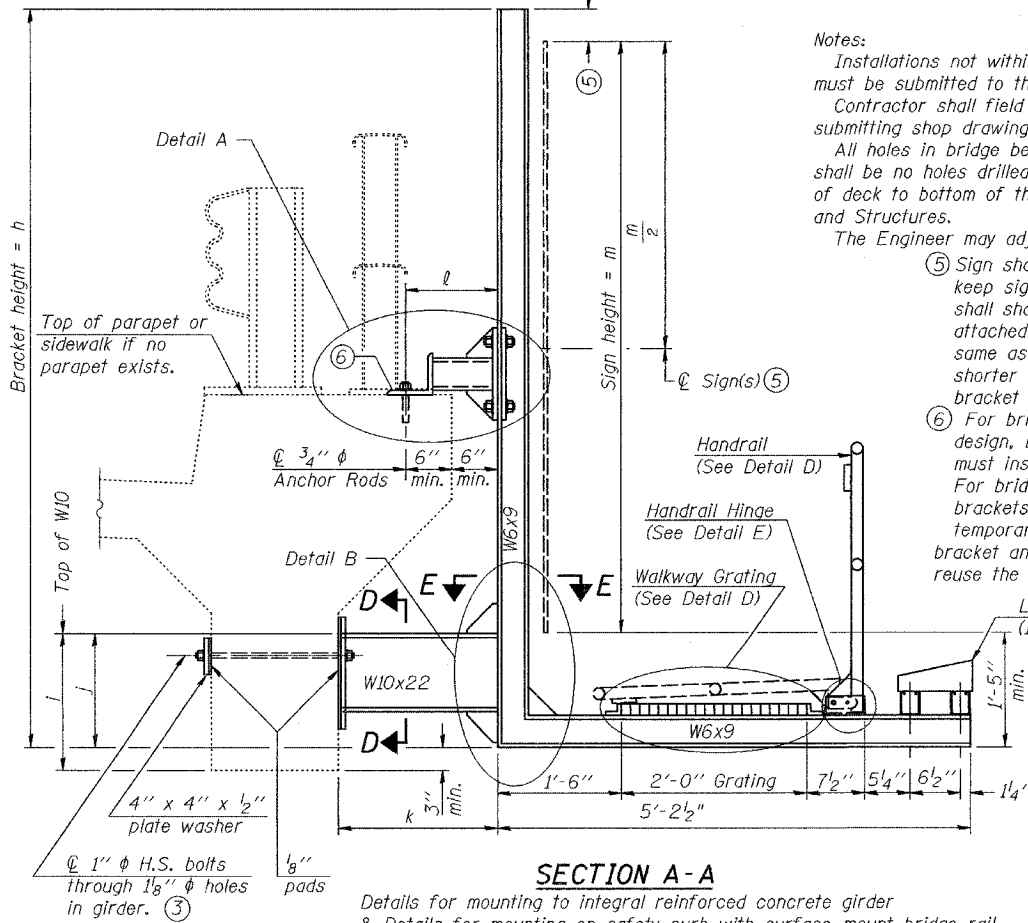
Structure Number	Station	h (12'-0" max.)	i	j	k max. (10'-0" max.)	l max. (8'-0" max.)	m (11'-0" max.)
1B016S394R000.0-000	161+01.65	9'-5"	1'-6" Min.	1'-3"	4'-0 1/2"	1'-9 5/8"	6'-0"

For Details A & B, Sections C-C, D-D and E-E, see Base Sheet BM-3.  
For Details D & E, see Base Sheet BM-4.

- ① Holes in new steel members may be drilled in the fabrication shop or in the field. Field drill existing members.
- ② For new PPC I beams, holes shall be formed during casting. For existing PPC I beams, prestressing strand locations shall be determined and spaced to miss strands by 6", min. Minimize spalling during field drilling of existing beams.
- ③ For new construction, form holes. For existing RC beams, locate primary reinforcement and space holes to miss by 6", min. Minimize spalling and concrete fracturing/damage during field drilling of existing concrete. Spalls over 1/4" deep or beyond the coverage of the 4x4 plate washer shall be repaired with epoxy mortar before installing washer.

DESIGNED	S.J.B.
CHECKED	P.S.J.
DRAWN	Drew Christopher
CHECKED	S.J.B. P.S.J.

September 19, 2006  
EXAMINED *John A. Morris*  
ENGINEER OF STRUCTURAL SERVICES  
PASSED *Ralph E. Anderson*  
ENGINEER OF BRIDGES AND STRUCTURES



SECTION A-A  
Details for mounting to integral reinforced concrete girder  
& Details for mounting on safety curb with surface-mount bridge rail

NUMBER	REVISION	DATE

**SIGN STRUCTURE  
DETAILS  
GLENWOOD-  
LANSING RD / IL 394  
COOK COUNTY  
SN 016-0918**