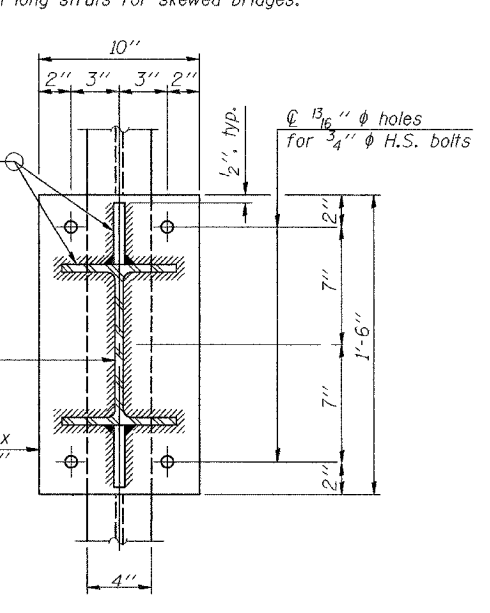
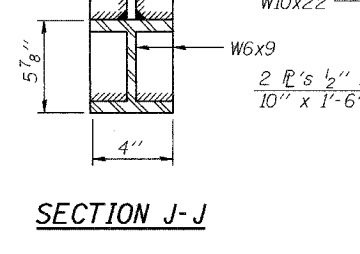
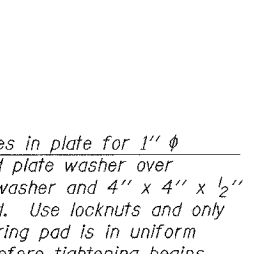
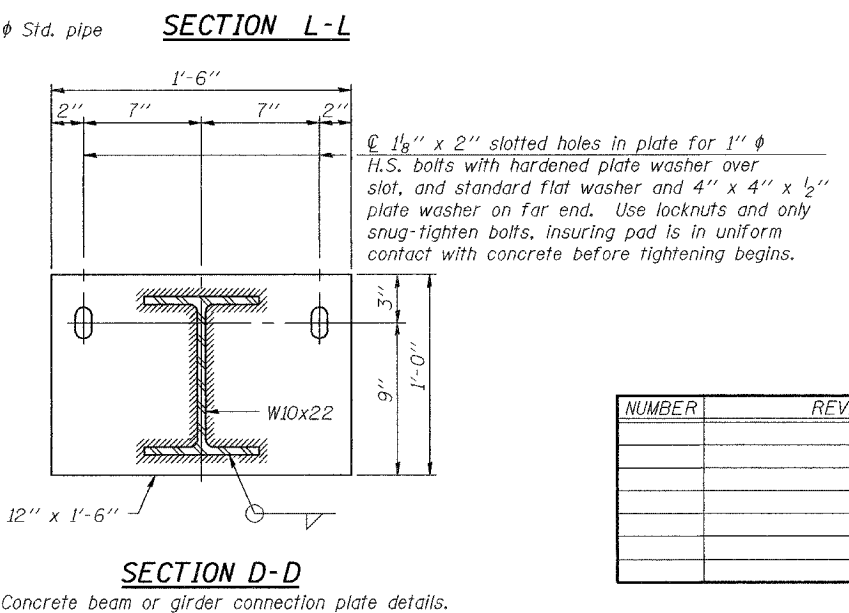
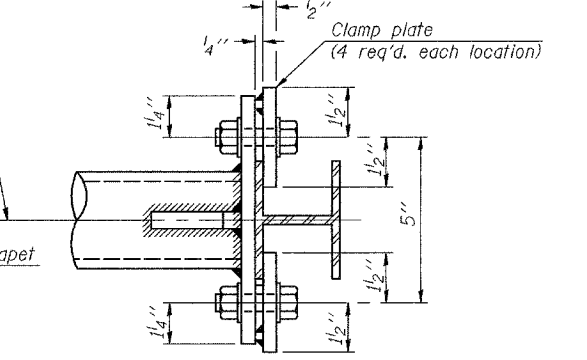
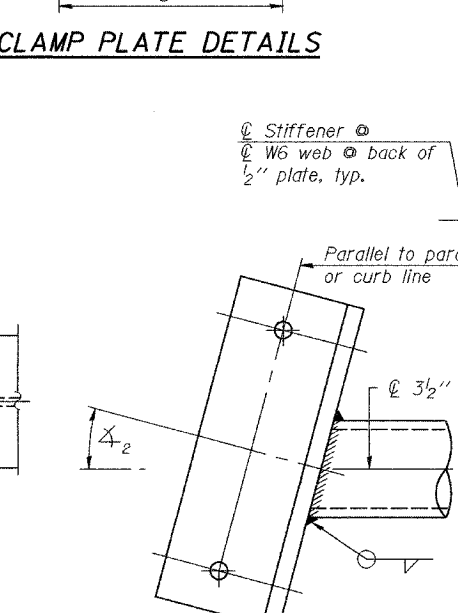
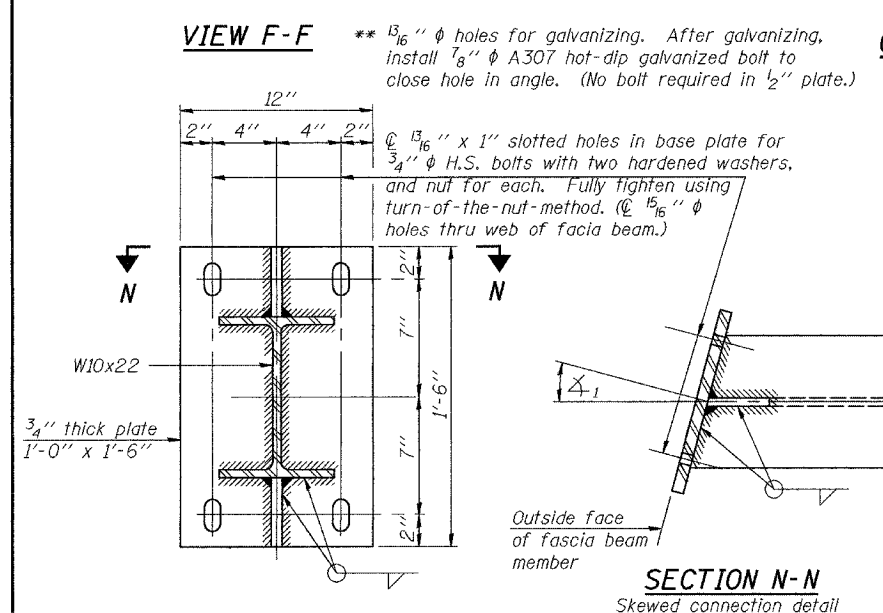
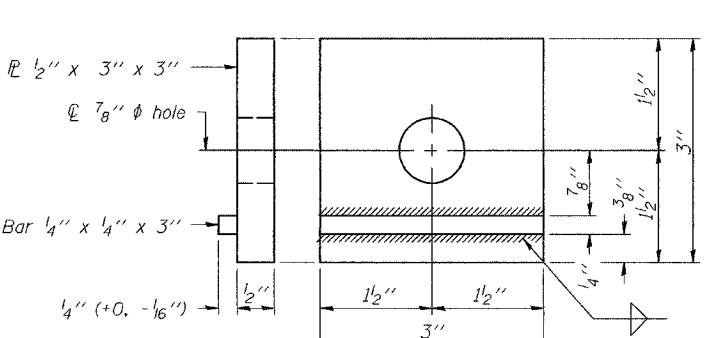
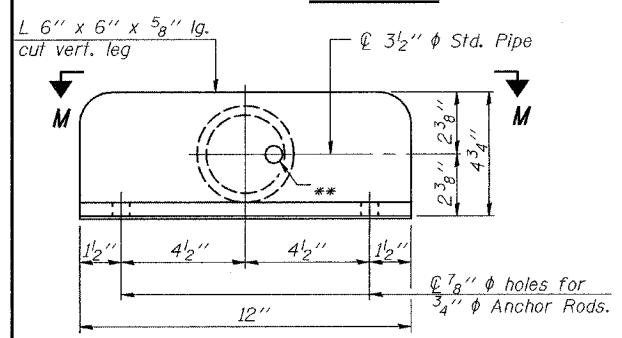
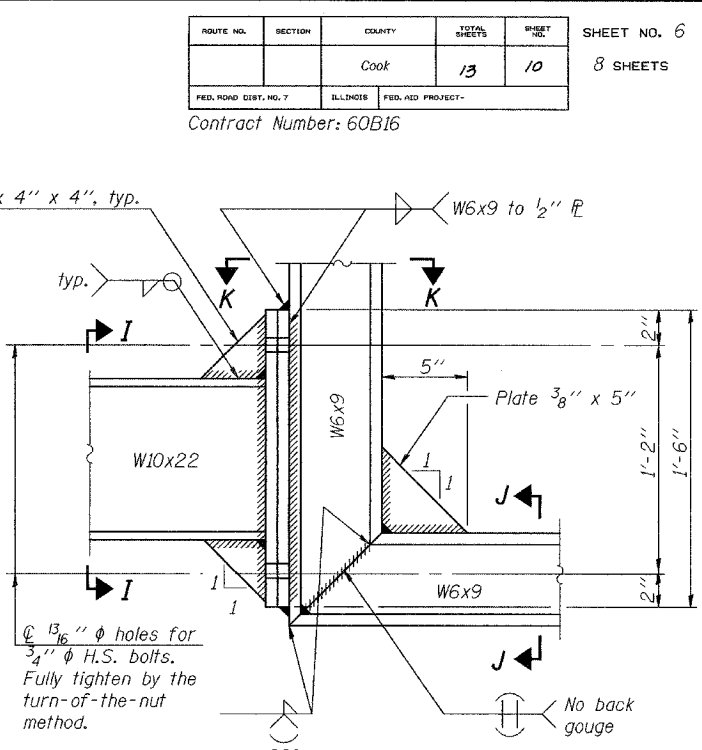
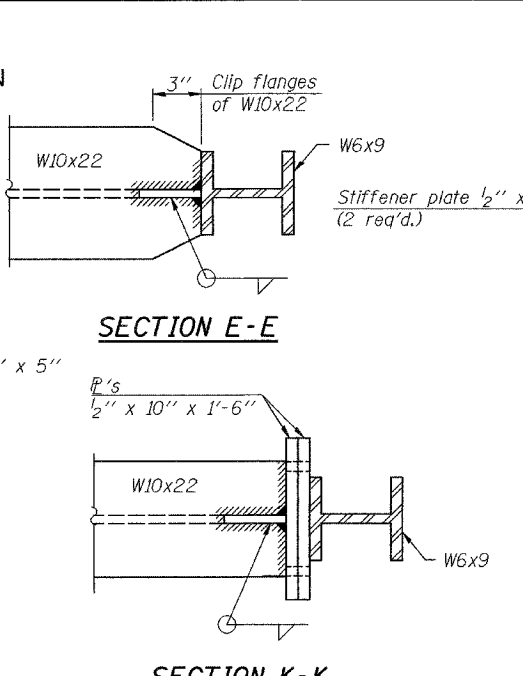
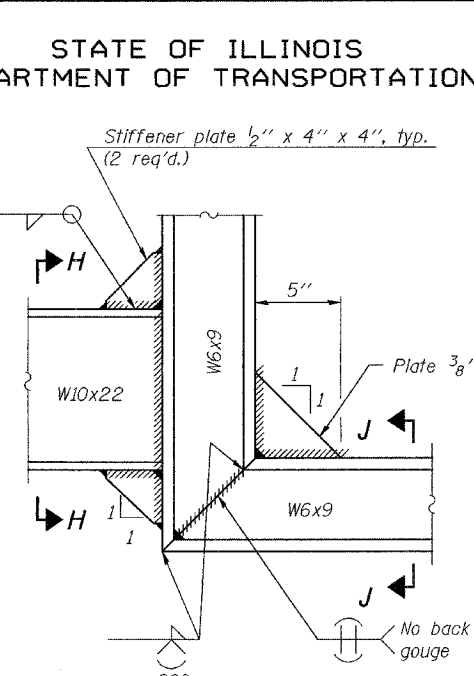
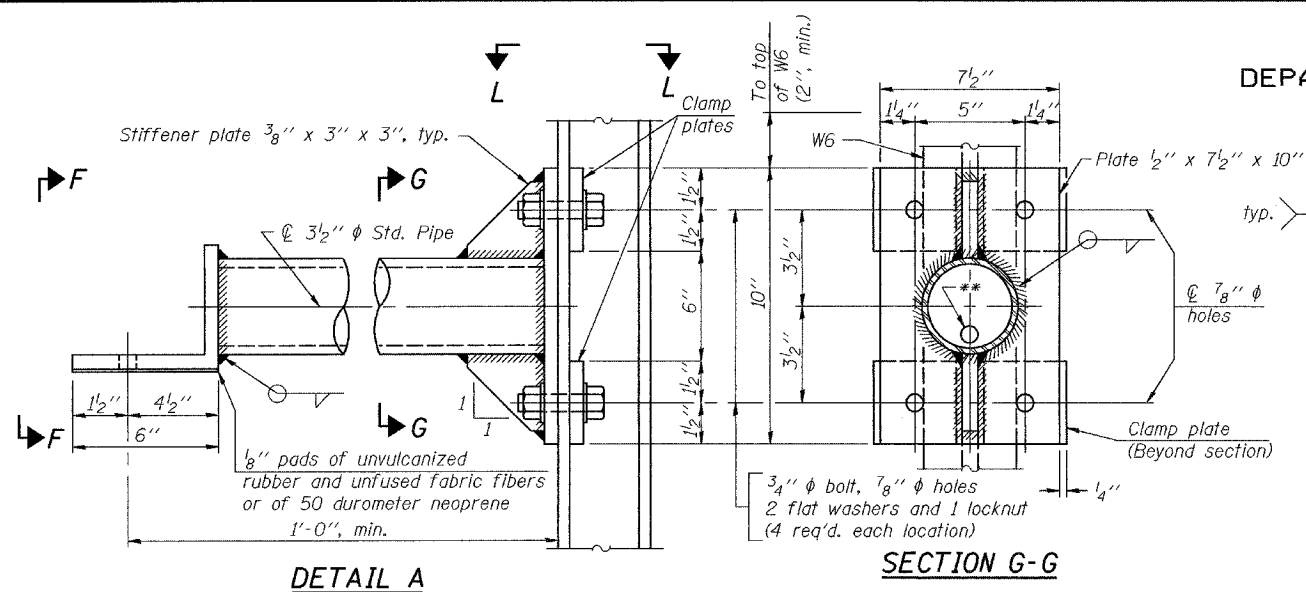


STATE OF ILLINOIS
DEPARTMENT OF TRANSPORTATION

ROUTE NO.	SECTION	COUNTY	TOTAL SHEETS	SHEET NO.
		Cook	13	10
FED. ROAD DIST. NO. 7	ILLINOIS	FED. AID PROJECT -		

SHEET NO. 6
8 SHEETS

Contract Number: 60B16



DESIGNED	S.J.B.	EXAMINED	September 19, 2006
CHECKED	P.S.J.	<i>John A. Morris</i> ENGINEER OF STRUCTURAL SERVICES	
DRAWN	Drew Christopher	PASSED	<i>Ralph E. Anderson</i> ENGINEER OF BRIDGES AND STRUCTURES
CHECKED	S.J.B. P.S.J.		

BM-3
1-7-05

NUMBER	REVISION	DATE

SIGN STRUCTURE DETAILS
GLENWOOD-LANSING RD / IL 394
COOK COUNTY
SN 016-0918