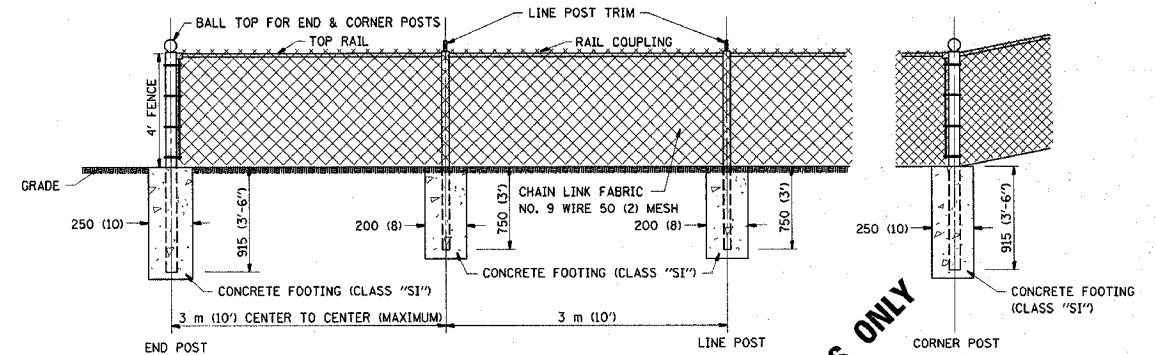


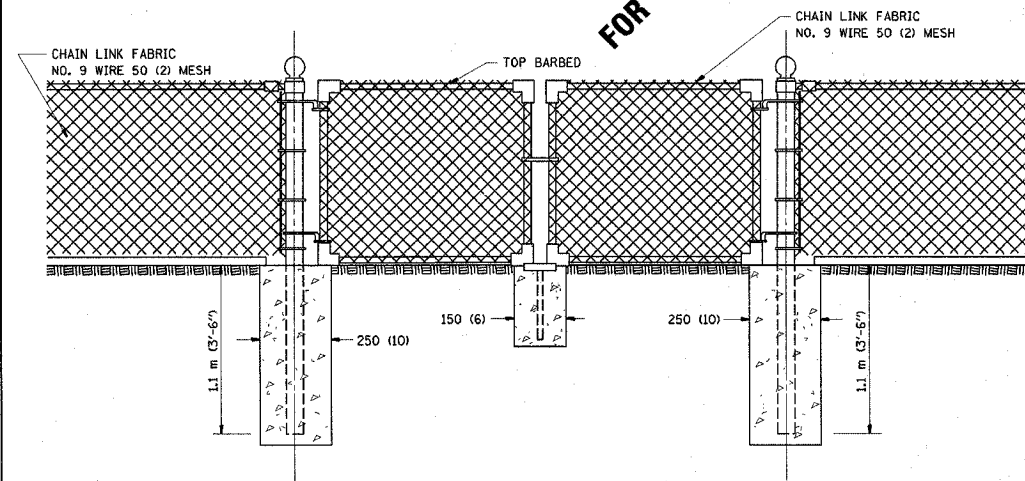
F.A. RTE.	SECTION	COUNTY	TOTAL SHEETS	SHEET NO.
VAR. 2006-016 I		ILLINOIS	13	9
FED. ROAD DIST. NO. ILLINOIS FED. AID PROJECT				

CONTRACT NO. 60B40

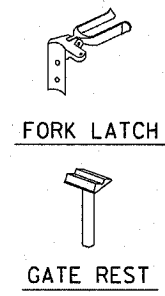


CHAIN LINK FENCE

FOR INFORMATIONAL PURPOSES ONLY



DRIVE GATE 1 m (3'-7") X 3 m (10')



NOTE:  
 THE CHAIN LINK FENCE AS SHOWN HEREIN SHALL BE CONSTRUCTED AT SUCH LOCATIONS AS SHOWN ON PLANS AND IN ACCORDANCE WITH THE SPECIAL PROVISIONS  
 THE ENGINEER SHALL ESTABLISH ALL NECESSARY LINE AND GRADE PRIOR TO THE ERECTION OF THE FENCE IN CONFORMANCE WITH THE PLANS

REVISIONS	
NAME	DATE

ALL DIMENSIONS ARE IN MILLIMETERS (INCHES) UNLESS OTHERWISE SHOWN.

ILLINOIS DEPARTMENT OF TRANSPORTATION

CHAIN LINK FENCE  
 10-SS-506 B

SCALE: NONE  
 DATE: 9/28/2006

DRAWN BY C.A.D.D.  
 CHECKED BY