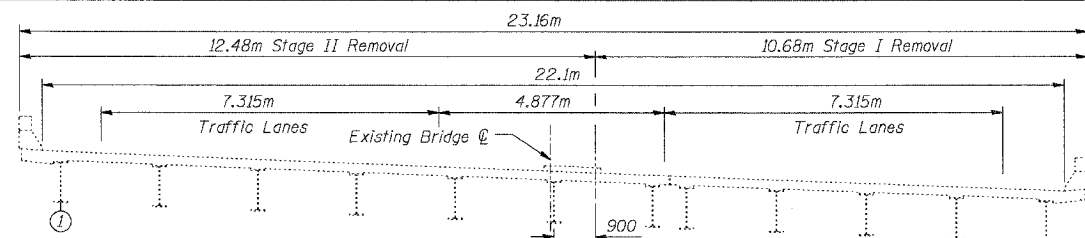
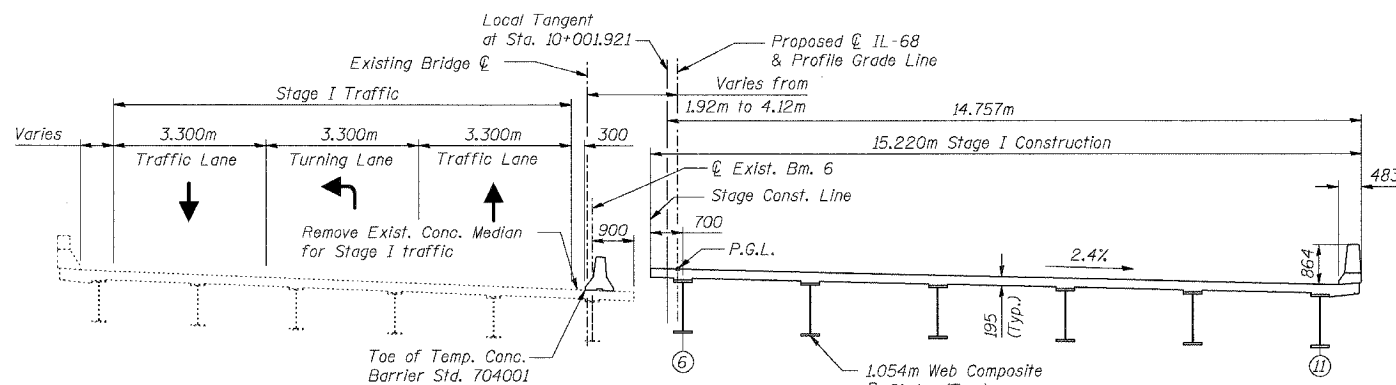


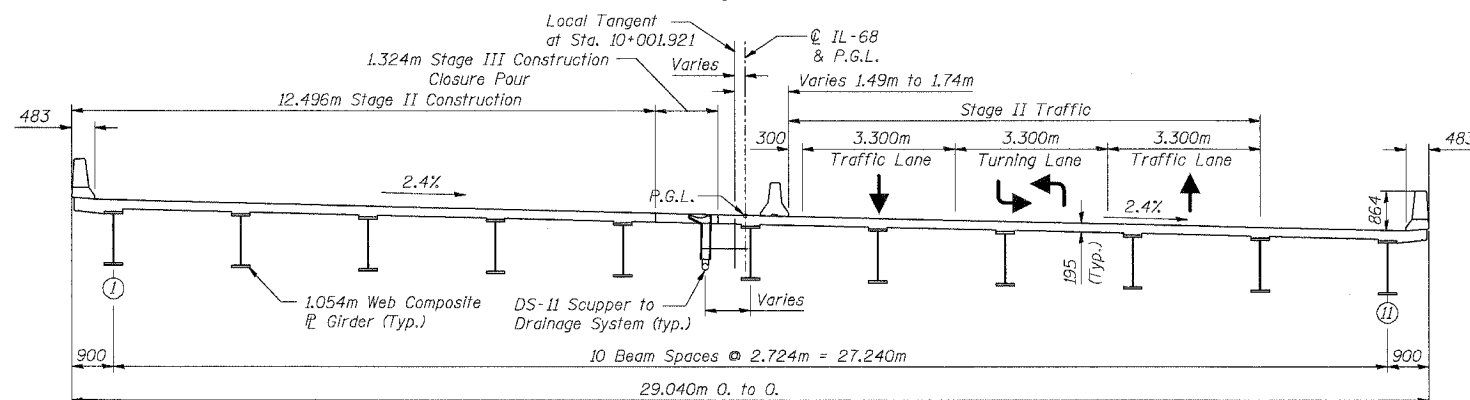
F.A.P. RTE.	SECTION	COUNTY	TOTAL SHEETS	SHEET NO.
343	*	COOK	24	5
STA.	TO STA.			
FED. ROAD DIST. NO.	ILLINOIS	FED. AID PROJECT		
*70HB-F & 70D-Y-B-F CONTRACT NO. 60B70				



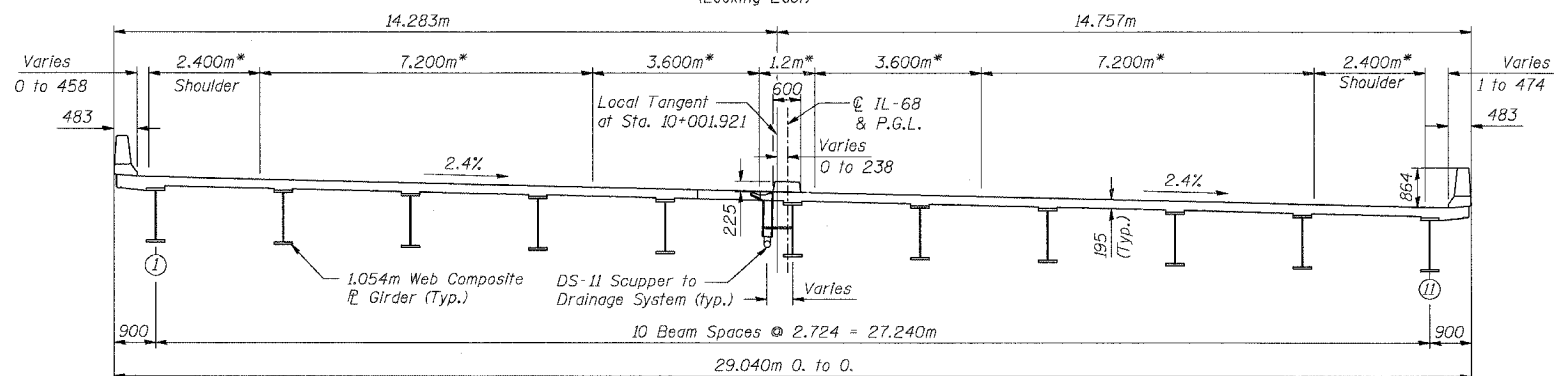
**EXISTING CROSS SECTION**  
(Looking East)



**STAGE I CONSTRUCTION**  
(Looking East)



**STAGE II & III CONSTRUCTION**  
(Looking East)



**TYPICAL SECTION THRU BRIDGE DECK**  
(Looking East)

**FOR INFORMATION ONLY**

REVISIONS	
NAME	DATE

SHT. S-05 OF S-24  
ILLINOIS DEPARTMENT OF TRANSPORTATION  
IL ROUTE 68 OVER US-14 & UPRR  
F.A.P. ROUTE 343 SECTION 70HB-F & 70D-Y-B-F  
COOK COUNTY  
STRUCTURE NO. 016-2861 & 016-2732  
STAGE CONSTRUCTION DECK SECTIONS  
SN 016-2861  
DESIGNED: BTO DRAWN: BTO  
DATE: 6/06 CHECKED: JAN CHECKED: JAN

11/24/06 11:06:05 AM 6/22/2006 2:41:57 PM