

**GENERAL NOTES**

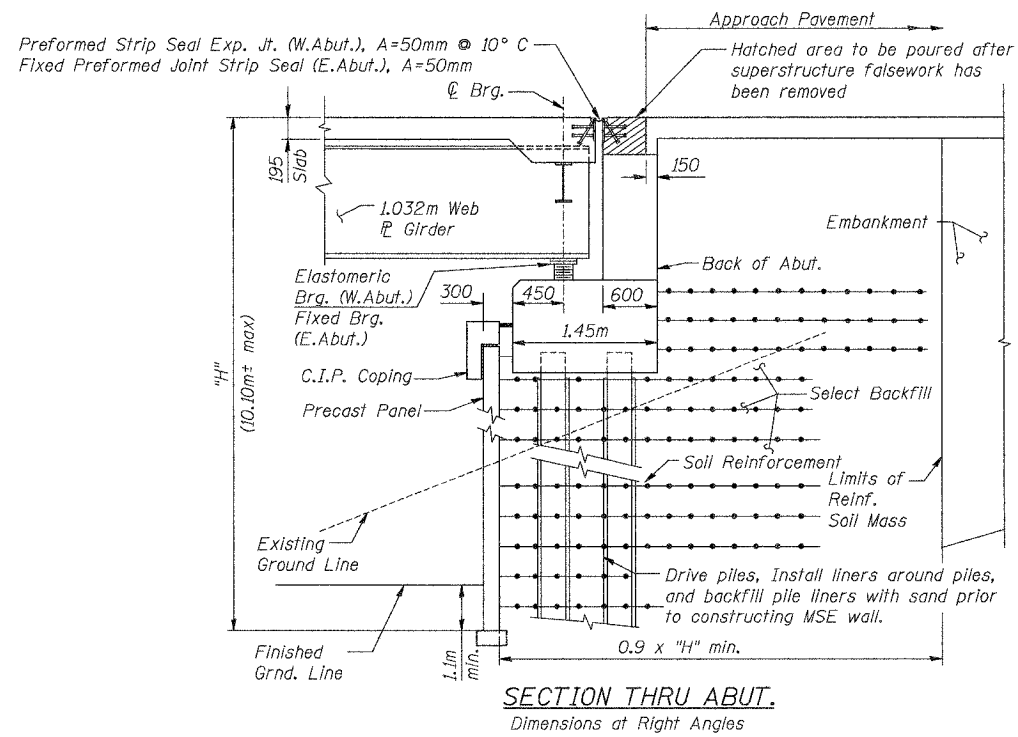
- Fasteners shall be high strength bolts. Bolts M22, open holes 24 mm  $\phi$ , unless otherwise noted.
- Calculated weight of Structural Steel:  
AASHTO (M270M GR 345) = 149,100 kg  
AASHTO (M270M GR 250) = 12,660 kg
- The main load carrying member components subject to tensile stress shall conform to the Supplemental Requirements for Notch Toughness Zone 2. These components are the tension flanges and webs of the plate girders.
- All dimensions are in millimeters (mm) except as noted.
- The organic zinc rich primer/epoxy/urethane paint system shall be used for painting of new structural steel except where otherwise noted. The entire system shall be shop applied, with the exception that masked off connection surfaces, field installed fasteners and damaged areas shall be touched up in the field. The color of the final finish coat for all interior steel surfaces shall be gray, Munsell No. 5HB 7/1. The color of the final finish coat for the exterior and bottom flange of the fascia beams shall be Reddish Brown, Munsell No. 2.5YR 3/4. See Special Provision for "Cleaning and Painting New Metal Structures."

F.A.P. RTE.	SECTION	COUNTY	TOTAL SHEETS	SHEET NO.
343	*	COOK	24	13
STA.		TO STA.		
FED. ROAD DIST. NO.	ILLINOIS	FED. AID PROJECT		
*70HB-F & 70D-Y-B-F CONTRACT NO. 60B70				

**BILL OF MATERIAL**

ITEM	UNIT	TOTAL
Furnishing Structural Steel	L.S.	0.45
Furnishing Elastomeric Assembly, Type I	Each	10
Storage of Structural Steel and Bearings	UNIT	242

\* For Storage of Structural Steel, One UNIT shall be Equal to 5 Metric Tons the Quantity was Calculated Based on the Assumption that 25% of the Steel Mass has to be Stored for 30 Calendar Days.



REVISIONS	
NAME	DATE

SHT. S-13 OF S-24  
 ILLINOIS DEPARTMENT OF TRANSPORTATION  
 IL ROUTE 68 OVER US-14 & UPRR  
 F.A.P. ROUTE 343 SECTION 70HB-F & 70D-Y-B-F  
 COOK COUNTY  
 STRUCTURE NO. 016-2861 & 016-2732  
 GENERAL NOTES & B.O.M. - SN 016-2732  
 DESIGNED: BTO DRAWN: BTO  
 DATE: 6/06 CHECKED: JAN CHECKED: JAN