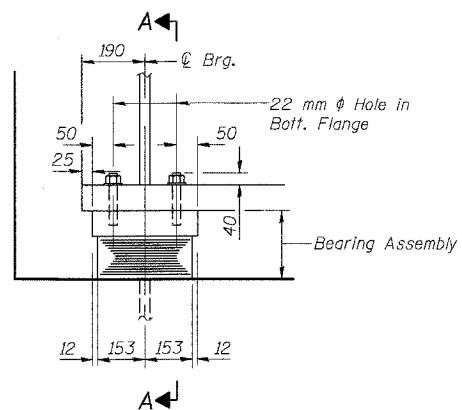
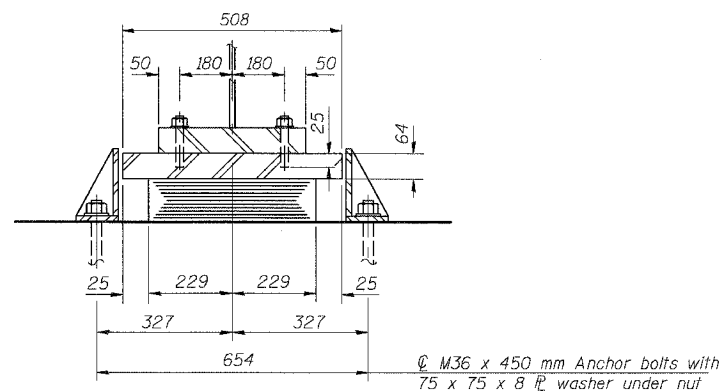


F.A.P. RTE.	SECTION	COUNTY	TOTAL SHEETS	SHEET NO.
343		COOK	24	21
STA.		TO STA.		
FED. ROAD DIST. NO.		ILLINOIS FED. AID PROJECT		

*70HB-F & 70D-Y-B-F CONTRACT NO. 60B70



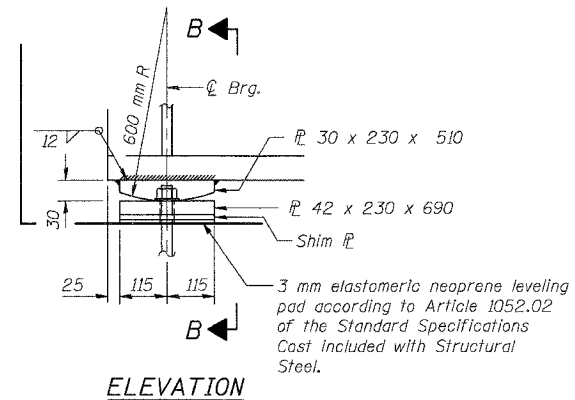
ELEVATION AT ABUT.



SECTION A-A

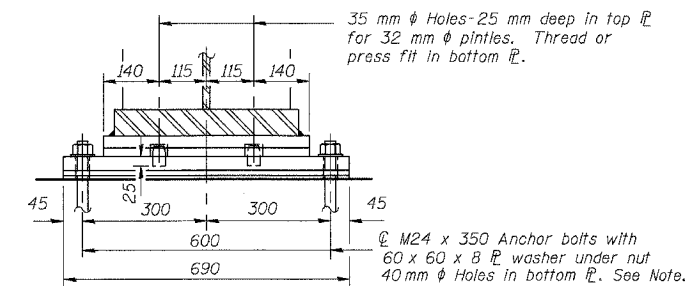
Ø M36 x 450 mm Anchor bolts with 75 x 75 x 8 mm washer under nut

TYPE I ELASTOMERIC EXP. BRG.
(West Abutment)



ELEVATION

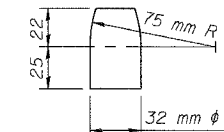
FIXED BEARING
(East Abutment)



SECTION B-B

35 mm Ø Holes-25 mm deep in top plate for 32 mm Ø pintles. Thread or press fit in bottom plate.

Ø M24 x 350 Anchor bolts with 60 x 60 x 8 mm washer under nut 40 mm Ø Holes in bottom plate. See Note.



PINTLE

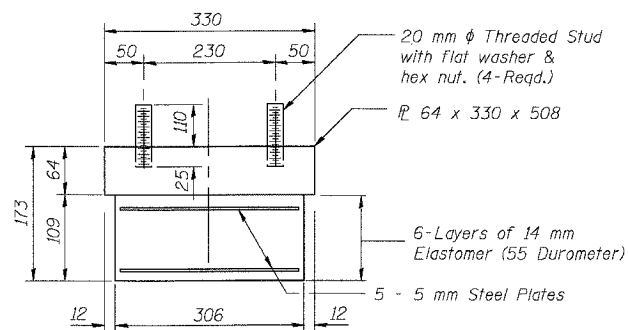
ANCHOR BOLTS ARE NOT PART OF THIS CONTRACT

BILL OF MATERIAL

Item	Unit	Total
Furnishing Elastomeric Bearing Assembly, Type I	Each	10

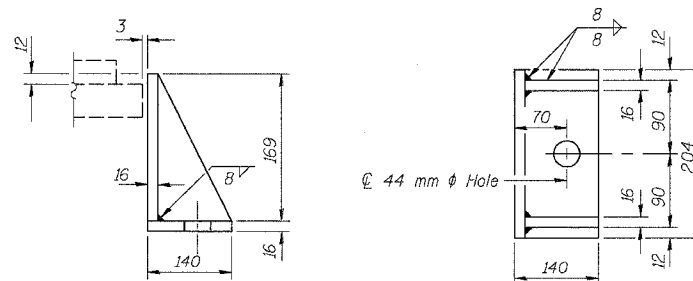
NOTES:

- Structural steel for bearing plates shall be AASHTO M270M, Grade 250.
- Anchor bolts at fixed bearings may be built into the masonry.



BEARING ASSEMBLY

Note: Shim plates shall not be placed under Bearing Assembly.



SIDE RETAINER

Equivalent rolled angle with stiffeners will be allowed in lieu of welded plates. Weight included with Structural Steel.

SHT. S-21 OF S-24

REVISIONS		ILLINOIS DEPARTMENT OF TRANSPORTATION IL ROUTE 68 OVER US-14 & UPRR F.A.P. ROUTE 343 SECTION 70HB-F & 70D-Y-B-F COOK COUNTY STRUCTURE NO. 016-2861 & 016-2732 BEARING DETAILS - SN 016-2732
NAME	DATE	
		DESIGNED: BTO DATE: 6/06
		DRAWN: BTO CHECKED: JAN
		CHECKED: JAN