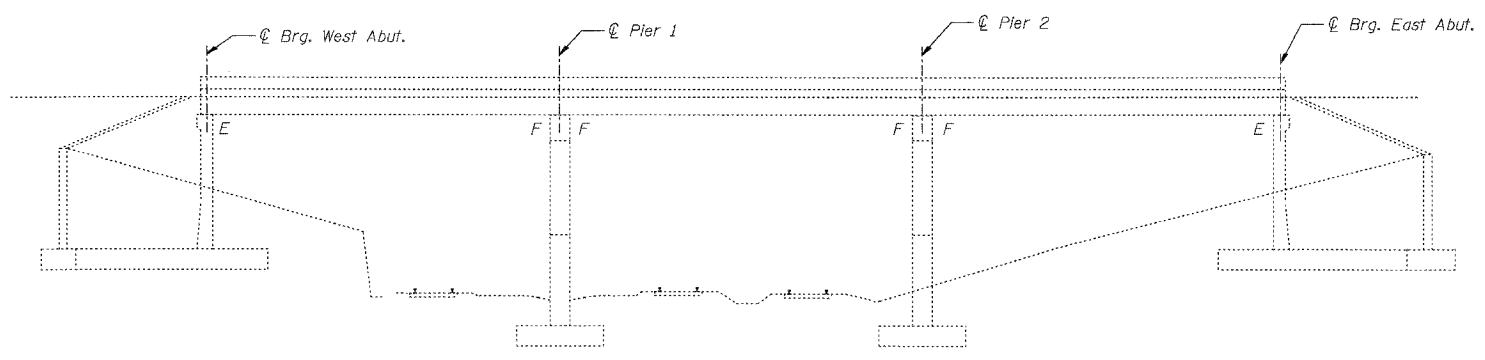


F.A.P. RTE.	SECTION	COUNTY	TOTAL SHEETS	SHEET NO.
343		COOK	24	22
STA.		TO STA.		
FED. ROAD DIST. NO.		ILLINOIS FED. AID PROJECT		
70HB-F & 70D-Y-B-F CONTRACT NO. 60B70				



**FOR INFORMATION ONLY  
NOT PART OF THIS CONTRACT**

**ELEVATION**

**CONTRACT 60B70**

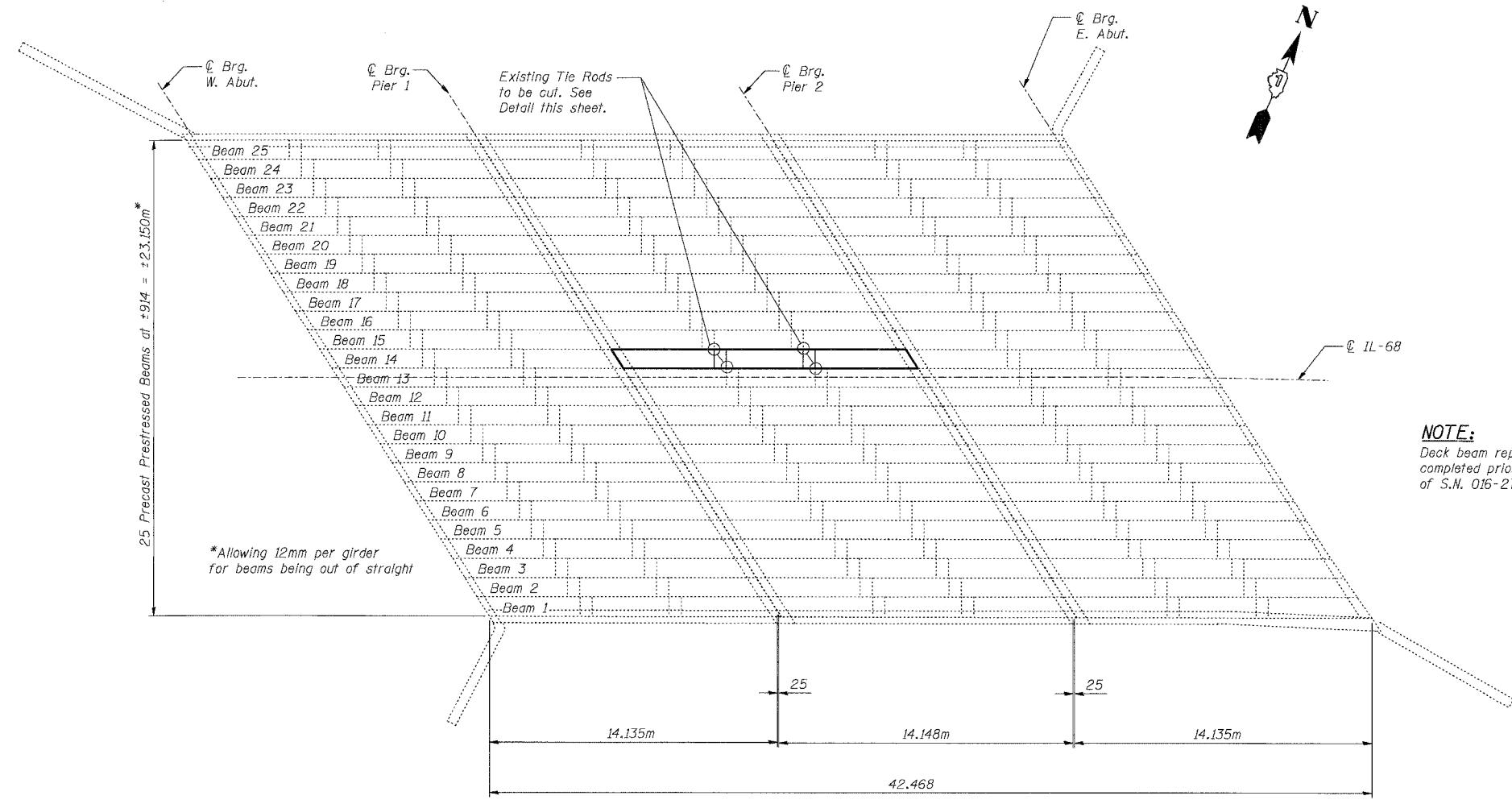
**GENERAL NOTES**

Plan dimensions and details relative to existing structure have been taken from existing plans and are subject to nominal construction variations. It shall be the Contractor's responsibility to verify such dimensions and details in the field and make necessary approved adjustments prior to construction or ordering of materials. Such variations shall not be cause for additional compensation for a change in the scope of work, however, the Contractor will be paid for the quantity actually furnished at the unit price bid for the work.

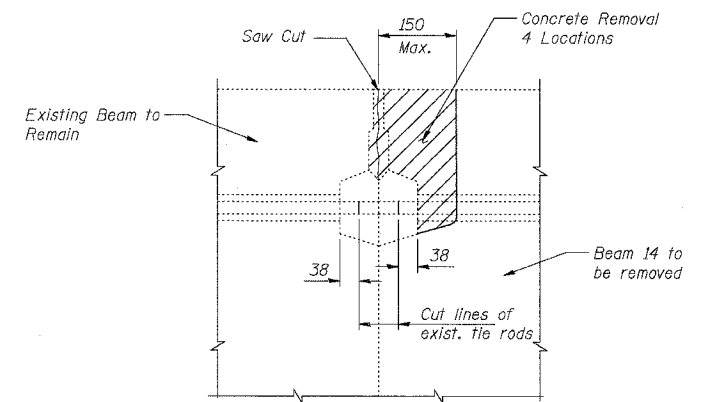
Any damage done to the bridge during beam removal shall be repaired by the Contractor. Cost to be included in the cost of "Removal of Existing Precast Prestressed Concrete Deck Beams".

The top surface of the beams shall be finished in accordance with Article 504.06 of the Standard Specifications except that the surface shall be free of depressions or high spots with sharp corners, and the top edge of keys shall be rounded or chamfered a minimum of 6 mm.

The cut strands at each beam end shall be given two coats of zinc dust spray or paint meeting the requirements of ASTM A 780. The zinc dust spray or paint shall be applied before corrosion appears and allowed to dry according to the manufacturer's specifications prior to another coat of zinc.



**FRAMING PLAN**



**BEAM REMOVAL DETAIL AT TRANSVERSE TIES**

**NOTE:**  
Deck beam replacement shall be completed prior to Stage I Construction of S.N. 016-2732.

**DESIGN STRESSES  
PRESTRESS UNITS**

- $f'_c = 35 \text{ MPa}$
- $f'_{ci} = 28 \text{ MPa}$
- $f'_s = 1860 \text{ MPa}$  (12.70mm  $\phi$  Strands)
- $f'_{si} = 1302 \text{ MPa}$  (12.70mm  $\phi$  Strands)

**BILL OF MATERIAL - CONTRACT 60B70**

ITEM	UNIT	TOTAL
Furnish Precast Prestressed Concrete Deck Beam (686 MM Depth)	m <sup>2</sup>	12.58
Storage of Precast Prestressed Concrete Deck Beam (686 MM Depth)	Cal. Day	30

REVISIONS	
NAME	DATE

SHT. S-22 OF S-24  
ILLINOIS DEPARTMENT OF TRANSPORTATION  
IL ROUTE 68 OVER US-14 & UPRR  
F.A.P. ROUTE 343 SECTION 70HB-F & 70D-Y-B-F  
COOK COUNTY  
STRUCTURE NO. 016-2861 & 016-2732  
EXISTING SN 016-0523 PLAN  
DESIGNED: BTO      DRAWN: BTO  
DATE: 6/06      CHECKED: JAN      CHECKED: JAN