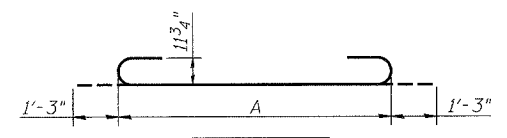
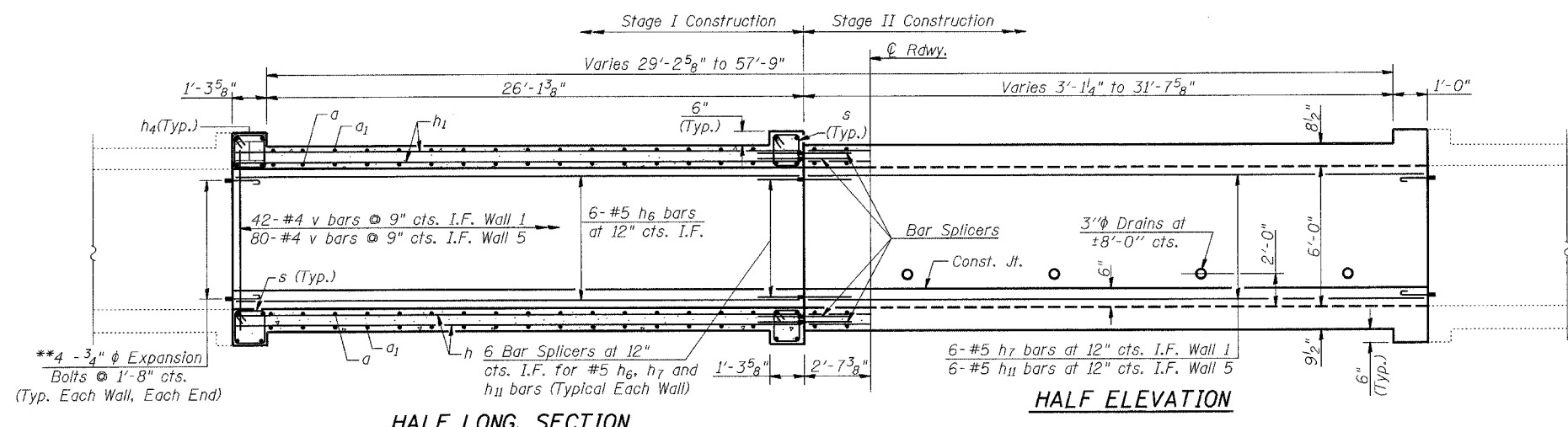
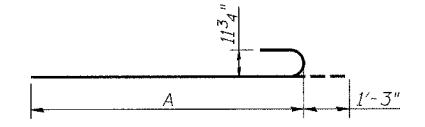


Contract No.: 62556



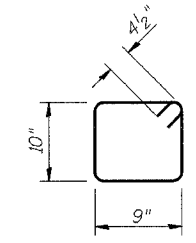
Bar	A
a ₁₀	7'-3"
a ₁₂	5'-10"
a ₁₄	4'-5"
a ₁₆	3'-0"

BAR a₁₀, a₁₂, a₁₄, a₁₆

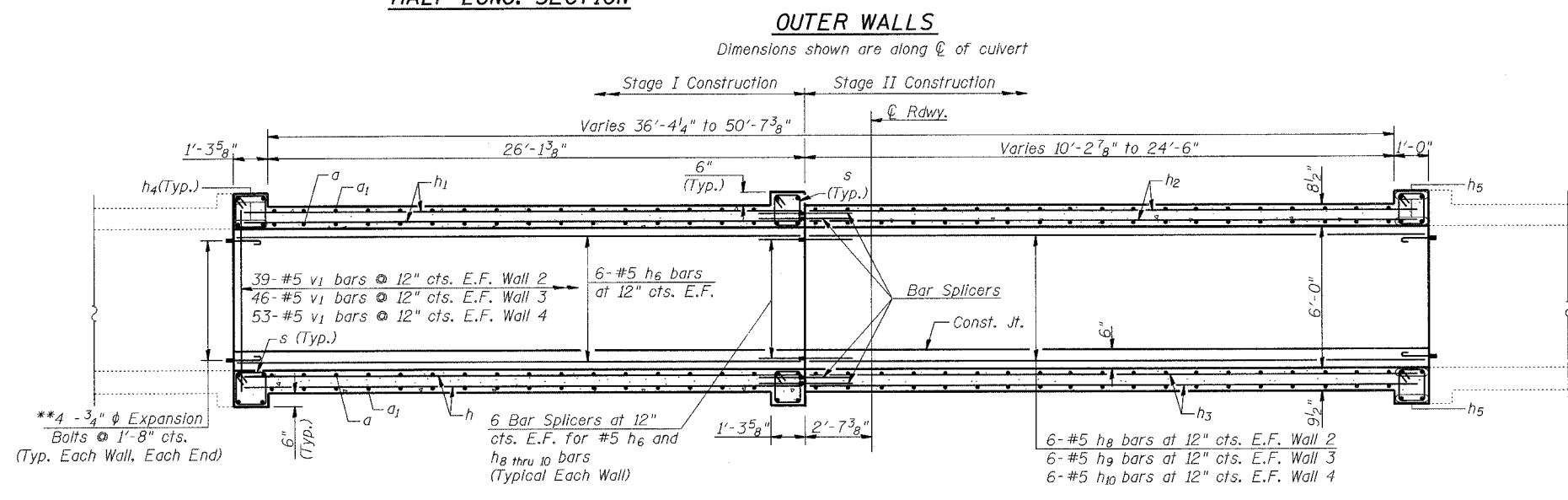


Bar	A
a	24'-4"
a ₂	19'-6"
a ₄	15'-3"
a ₆	11'-0"
a ₈	8'-1"

BAR a, a₂, a₄, a₆, a₈



BAR s



**Expansion Bolts shall be $\frac{3}{4}$ " ϕ hooked bolts. Hooked bolts shall extend a minimum of 9" into new concrete.

ELEVATION OF INNER WALLS
Dimensions shown are along ϕ of culvert

BILL OF MATERIAL

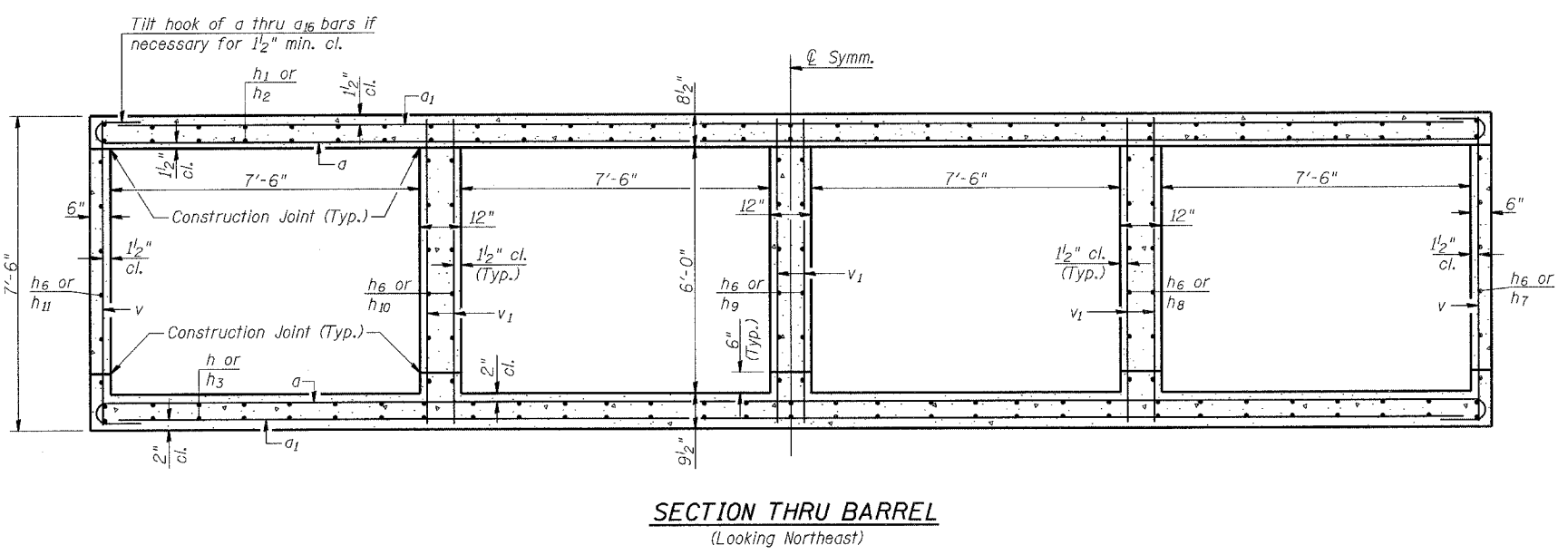
Bar	No.	Size	Length	Shape
a	152	#9	25'-7"	C
a ₁	152	#8	23'-10"	C
a ₂	24	#9	20'-9"	C
a ₃	24	#8	19'-0"	C
a ₄	24	#9	16'-6"	C
a ₅	24	#8	14'-9"	C
a ₆	16	#9	12'-3"	C
a ₇	16	#8	10'-6"	C
a ₈	12	#9	9'-4"	C
a ₉	12	#8	7'-7"	C
a ₁₀	2	#9	9'-9"	C
a ₁₁	2	#8	7'-3"	C
a ₁₂	2	#9	8'-4"	C
a ₁₃	2	#8	5'-10"	C
a ₁₄	2	#9	6'-11"	C
a ₁₅	2	#8	4'-5"	C
a ₁₆	2	#9	5'-6"	C
a ₁₇	2	#8	3'-0"	C
h	82	#4	27'-2"	—
h ₁	68	#6	27'-2"	—
h ₂	34	#6	36'-3"	—
h ₃	41	#4	36'-3"	—
h ₄	16	#6	44'-0"	—
h ₅	8	#6	33'-9"	—
h ₆	48	#5	27'-2"	—
h ₇	6	#5	3'-10"	—
h ₈	12	#5	10'-11"	—
h ₉	12	#5	18'-0"	—
h ₁₀	12	#5	25'-0"	—
h ₁₁	6	#5	32'-0"	—
s	244	#4	3'-11"	□
v	122	#4	7'-1"	—
v ₁	276	#5	7'-1"	—
Bar Splicers	Each		198	
Concrete Box Culverts	Cu. Yd.		131.7	
Reinforcement Bars	Pound		44,240	
Expansion Bolts	Each		118	

NOTES

See sheet 3 of 8 for Culvert Plan.
See sheet 6 of 8 for Bar Splicer Details.

LEGEND

I.F. - Inside Face
E.F. - Each Face



REVISIONS	
NAME	DATE

ILLINOIS DEPARTMENT OF TRANSPORTATION
CULVERT DETAILS-II
IL ROUTE 53 OVER LILY CACHE CREEK
WILL COUNTY
STATION 26+24
STRUCTURE NO. 099-2008
DRAWN BY BLB
CHECKED BY WJV
DATE: 6-12-07