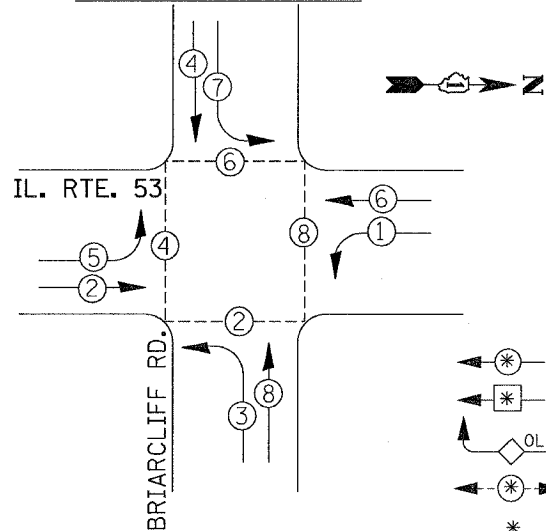


TEMPORARY SIGNAL INSTALLATION
CONTROLLER SEQUENCE

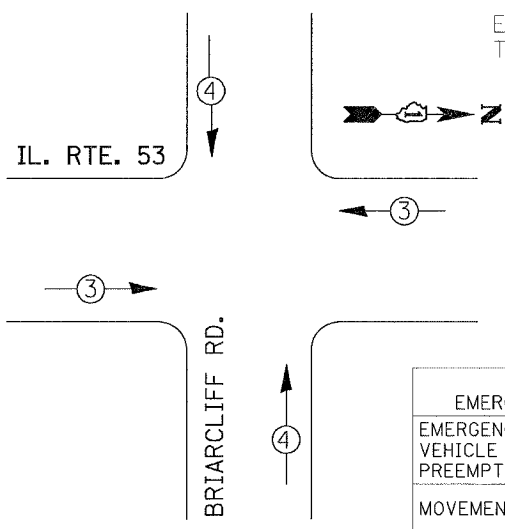


TEMPORARY PHASE
DESIGNATION DIAGRAM

LEGEND

- DUAL ENTRY PHASE
- PROTECTED LEFT TURN PHASE
- OVERLAP
- PEDESTRIAN PHASE
- * NUMBER REFERS TO ASSOCIATED PHASE

TEMPORARY SIGNAL INSTALLATION
EMERGENCY VEHICLE PREEMPTION SEQUENCE

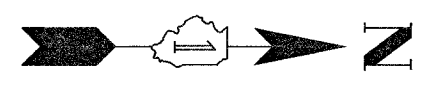


EXISTING INTERCONNECT
TO N. BEACONRIDGE DR.

TRACER CABLE

THE END OF THE TRACER CABLE
SHALL BE TIED TO A CABLE HOOK
IN THE BOUBLE HANDHOLE CLOSET
TO THE CONTROLLER FOUNDATION.

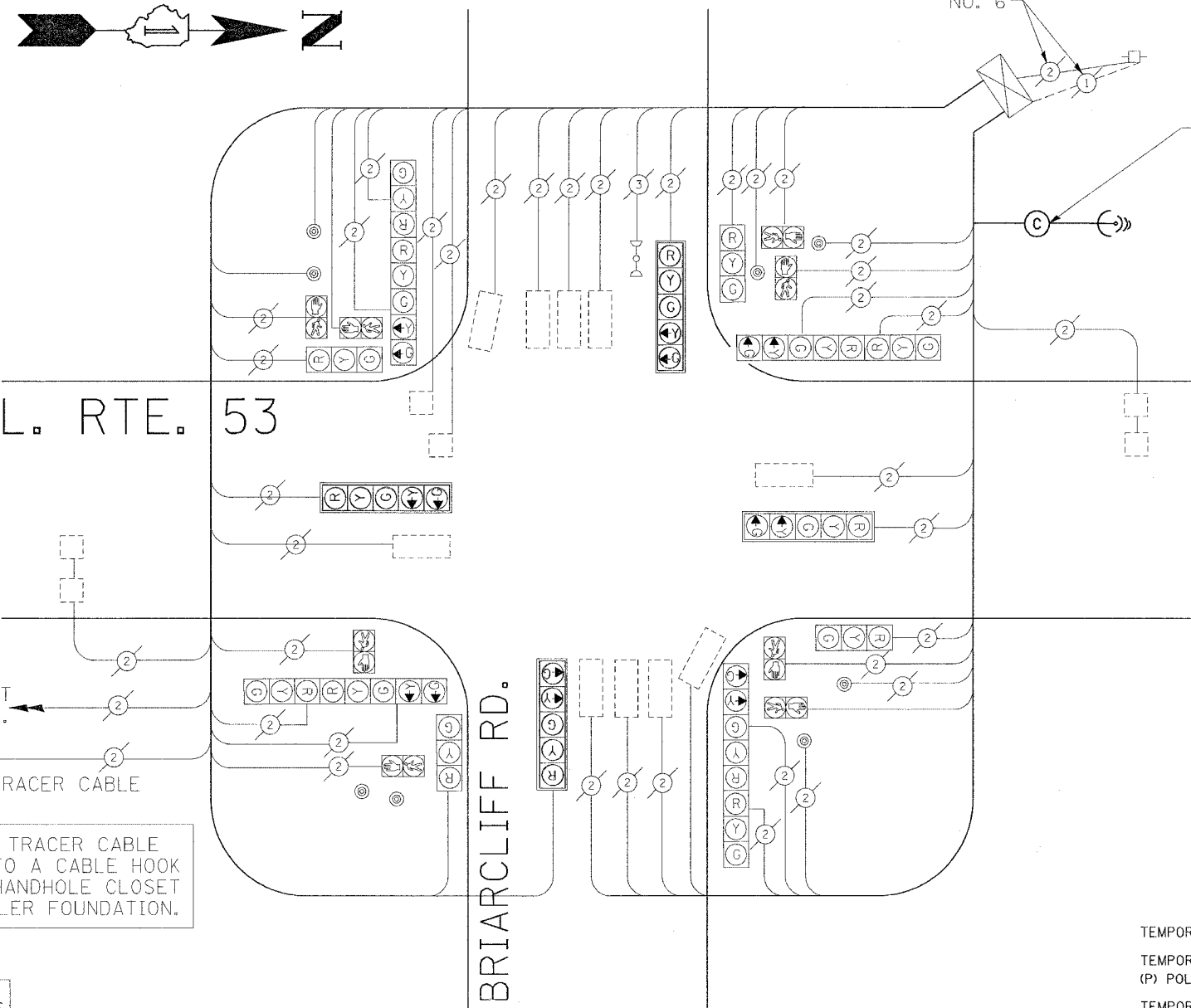
PROPOSED EMERGENCY VEHICLE PREEMPTORS	
EMERGENCY VEHICLE PREEMPTOR	3 4
MOVEMENT	



IL. RTE. 53

BRIARCLIFF RD.

CABLE PLAN



NO. 6

PROPOSED WIRELESS INTER-
CONNECT TO LEE/NORTHRIDGE

TEMPORARY CABLE DIAGRAM LEGEND

	PROPOSED	EXISTING
TEMPORARY CONTROLLER CABINET		
TEMPORARY SERVICE INSTALLATION, (P) POLE OR (G) GROUND MOUNT		
TEMPORARY TRAFFIC SIGNAL SECTION OR PEDESTRIAN SIGNAL SECTION, 12" (300 mm)		
12" (300 MM) PEDESTRIAN SIGNAL SECTION		
ELECTRIC CABLE IN CONDUIT, NO. 14, UNLESS OTHERWISE NOTED. NUMBER OF CONDUCTORS AS NOTED		
PEDESTRIAN PUSHBUTTON DETECTOR		
VEHICLE DETECTOR, INDUCTION LOOP		
MICROWAVE VEHICLE SENSOR		
VIDEO DETECTOR		
CLOSED CIRCUIT TV		
EMERGENCY VEHICLE SYSTEM DETECTOR		
CONFIRMATION BEACON		
WIRELESS INTERCONNECT		

SCHEDULE OF QUANTITIES

ITEM	UNIT	QUANTITY
MAINTENANCE OF EXISTING TRAFFIC SIGNAL INSTALLATION	EACH	1

FOUNDATION (DEPTH)	FT. (m)	CABLE SLACK	FT. (m)	VERTICAL	FT. (m)
TYPE A - POST	4 (1.2)	HANDHOLE	6.5 (2.0)	ALL FOUNDATIONS	3.5 (1.0)
D - CONTROLLER	4 (1.2)	DOUBLE HANDHOLE	13 (4.0)	MAST ARM (L) POLE	20' H-2=
E - M. ARM POLE		SIGNAL POST	2 (1.0)		(6m H-0.6m)=
24" (600mm)	10 (3.0)	CONTROLLER CAB.	1 (0.5)	BRACKET MOUNTED	13 (4.0)
30" (750mm)	15 (4.6)	FIBER OPTIC	13 (4.0)	PED. PUSHBUTTON	4 (1.2)
36" (900mm)	15 (4.6)	ELECTRIC SERVICE	1 (0.5)	ELECTRIC SERVICE	13.5 (4.1)
		GROUND CABLE	1 (0.5)	SERVICE TO GROUND	13.5 (4.1)
				POST MOUNTED	6 (1.8)

I.D.O.T TRAFFIC SIGNAL INSTALLATION ELECTRICAL SERVICE REQUIREMENTS					TOTAL WATTAGE
TYPE	NO. LAMPS*	WATTAGE INCAND.	WATTAGE LED	% OPERATION	
SIGNAL (RED)	16	135	17	0.50	1080.00
(YELLOW)	16	135	25	0.25	540.00
(GREEN)	16	135	15	0.25	540.00
ARROW	16	135	12	0.10	216.00
PED. SIGNAL	8	90	25	1.00	720.00
CONTROLLER	1	100	100	1.00	100.00
ILLUM. SIGN		84		0.05	
FLASHER				0.50	
ENERGY COSTS TO:					TOTAL = 3196.00
ILLINOIS DEPARTMENT OF TRANSPORTATION 201 WEST CENTER COURT SCHAUMBURG, ILLINOIS 60196-1096 CONTACT: KEA MCKENZIE PHONE: (630) 437-2495 COMPANY: COM. EDISON					

STATE OF ILLINOIS
DEPARTMENT OF TRANSPORTATION

TEMPORARY CABLE PLAN, PHASE DESIGNATION
DIAGRAM, AND SCHEDULE OF QUANTITIES
IL. RTE. 53 AT BRIARCLIFF RD.

F.A.P. RTE.	SECTION	COUNTY	TOTAL SHEETS	SHEET NO.
870	534- R-1-T	WILL	42	31
FED. ROAD DIST. NO.			ILLINOIS FED. AID PROJECT	

SCALE: SHEET NO. OF SHEETS STA. TO STA.

CONTRACT NO. 62556