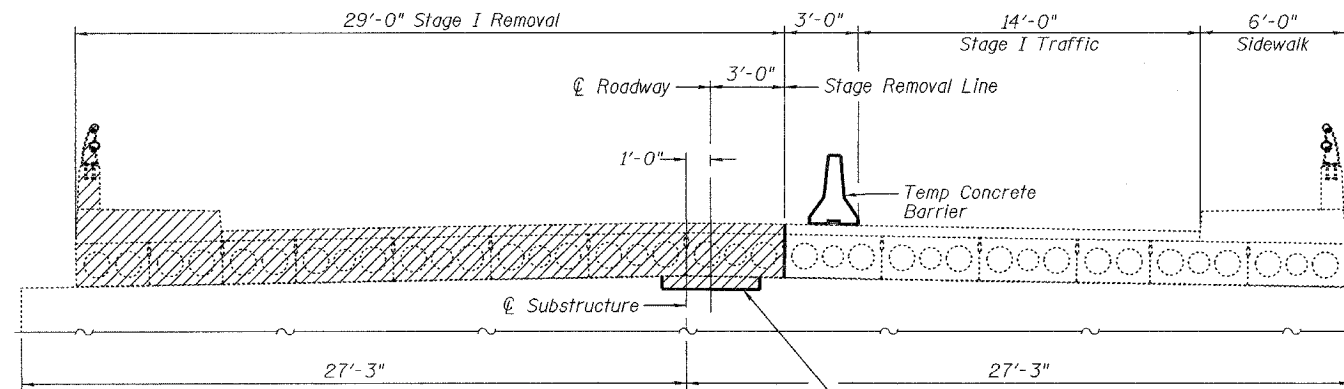


STATE OF ILLINOIS  
DEPARTMENT OF TRANSPORTATION

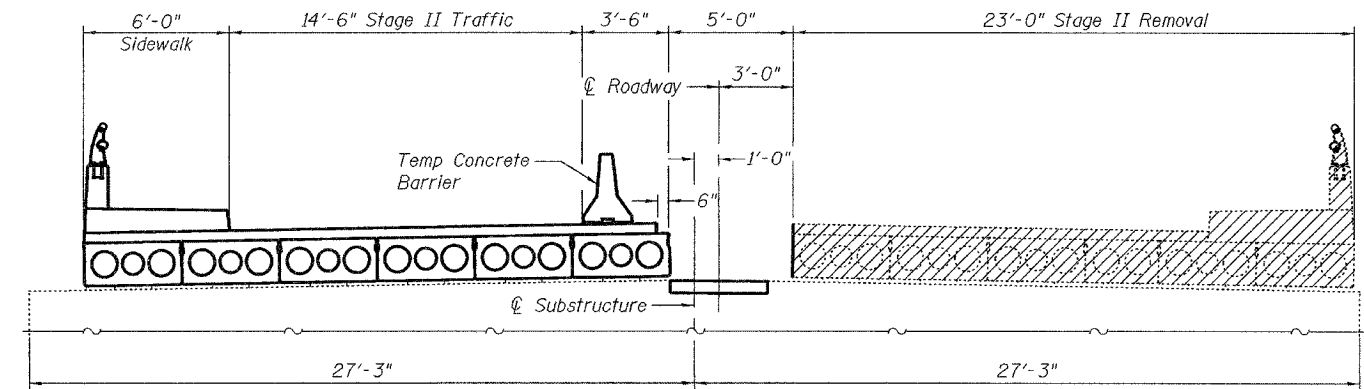
ROUTE NO.	SECTION	COUNTY	TOTAL SHEETS	SHEET NO.
		Lake	17	10
FED. ROAD DIST. NO. 7		ILLINOIS FED. AID PROJECT		

SHEET NO. 2  
7 SHEETS  
Contract Number: 62768

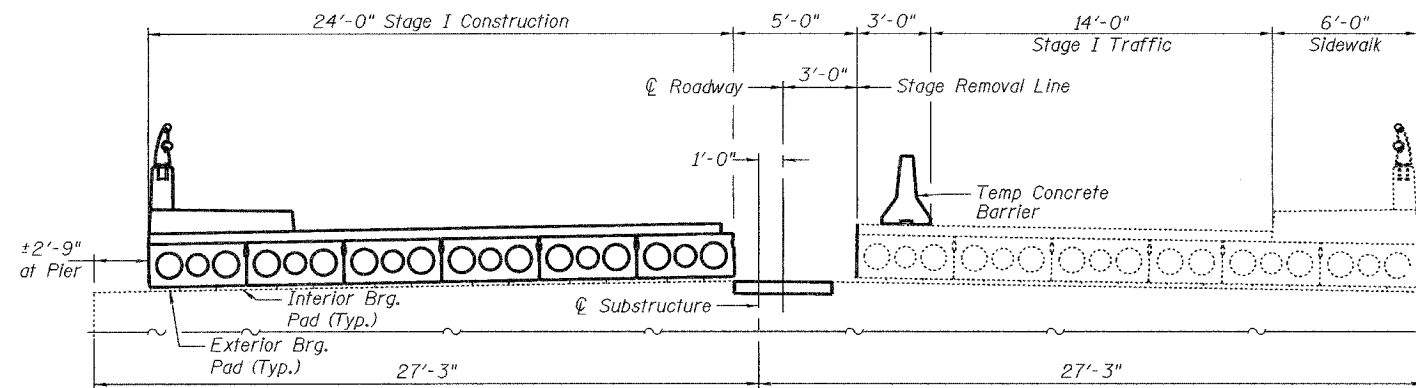


**STAGE I REMOVAL**

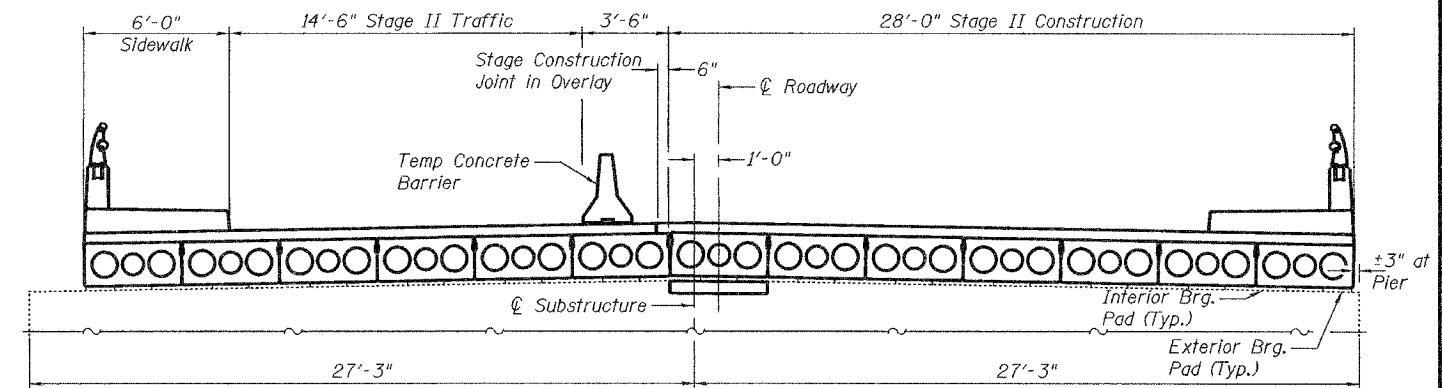
Part of Brg. Seat at Abutments and Pier to be removed and replaced in Stage I. See sheet 4 of 7 for details.



**STAGE II REMOVAL**

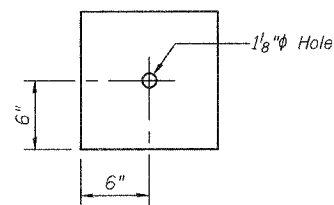


**STAGE I CONSTRUCTION**



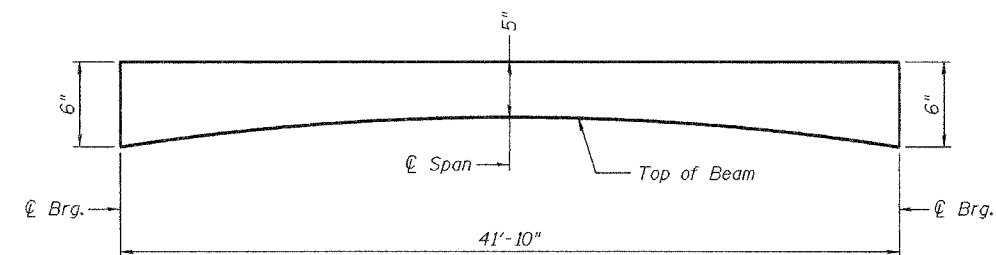
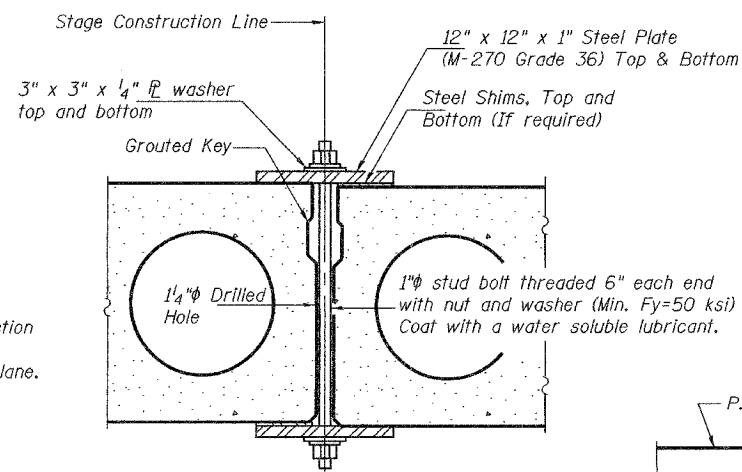
**STAGE II CONSTRUCTION**

Notes:  
All cross-sections are looking East.  
Cross hatched area indicates area of removal.  
For Temporary Concrete Barrier Details see sheet 6 of 7.

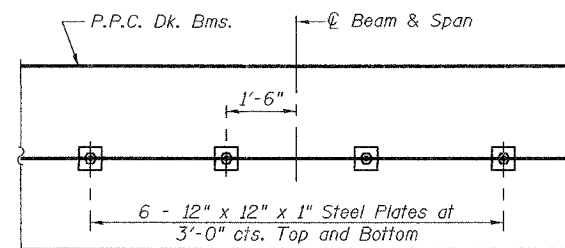


**CLAMPING PLATE**

Notes:  
See Special Provisions for Stage Construction Precast Prestressed Concrete Deck Beams.  
See Stage Construction Detail for traffic lane.  
Cost is included with Precast Prestressed Concrete Deck Beams.



**CONCRETE WEARING SURFACE PROFILE**



**PLAN AT STAGE CONSTRUCTION LINE**

**STAGE CONSTRUCTION DETAILS**  
F.A.U. RT. 1253  
HALF DAY RD / EAST  
BRANCH OF SKOKIE DITCH  
LAKE COUNTY  
SN 049-0011

DESIGNED	A.T.H.
CHECKED	S.J.B.
DRAWN	Drew Christopher
CHECKED	A.T.H. S.J.B.

September 21, 2006  
EXAMINED *John A. Morris*  
ENGINEER OF STRUCTURAL SERVICES  
PASSED *Ralph E. Anderson*  
ENGINEER OF BRIDGES AND STRUCTURES