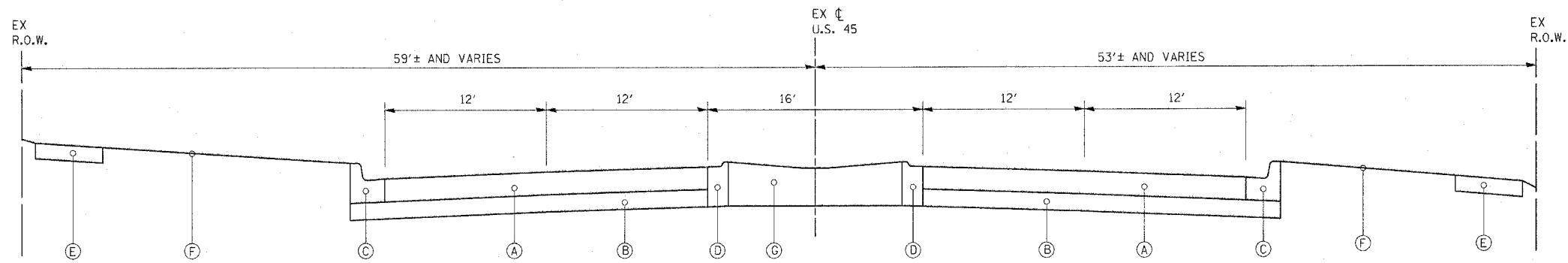
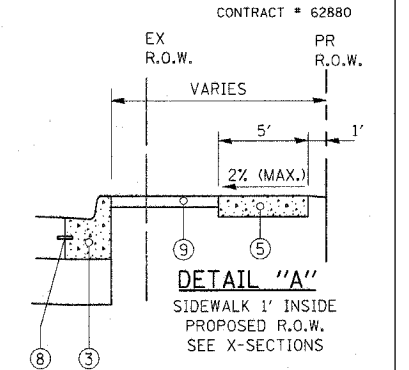
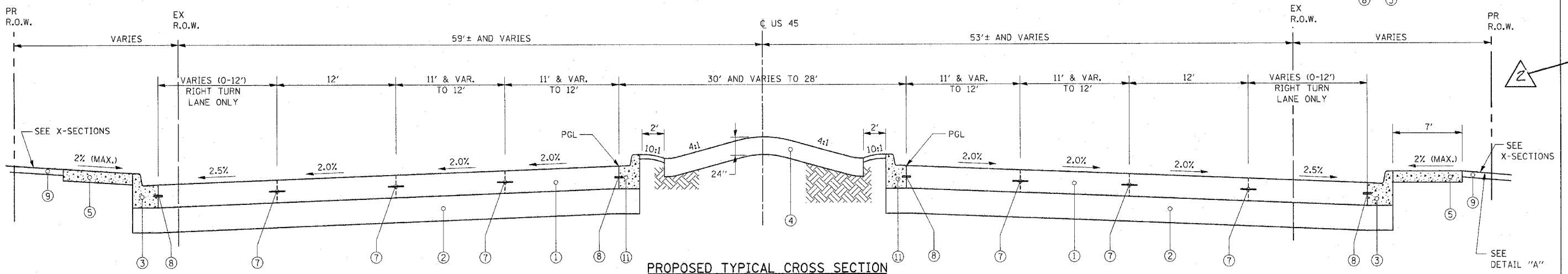


F.A.D. R.T.E.	SECTION	COUNTY	TOTAL SHEETS	SHEET NO.
351	537 R-1	COOK	245	15
STA. _____		TO STA. _____		
FED. ROAD DIST. NO. _____		ILLINOIS FED. AID PROJECT		

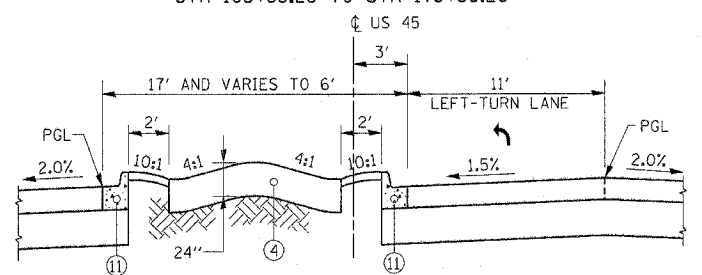


**EXISTING TYPICAL CROSS SECTION**  
U.S. ROUTE 45 (LAGRANGE ROAD)

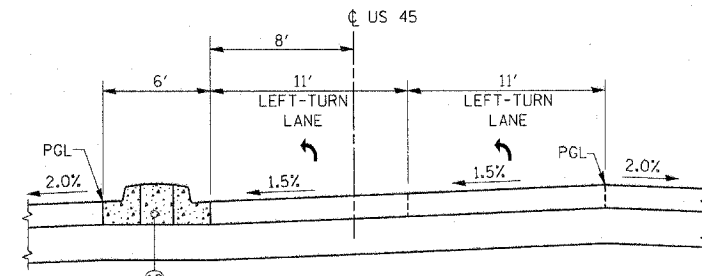


**PROPOSED TYPICAL CROSS SECTION**  
U.S. ROUTE 45 (LAGRANGE ROAD)  
STA 163+53.28 TO STA 178+86.26

- EXISTING LEGEND**
- (A) EXISTING CONCRETE PAVEMENT, 8"
  - (B) EXISTING SUBBASE, 6"
  - (C) EXISTING CURB AND GUTTER, TYPE B-6.24
  - (D) EXISTING CONCRETE CURB & GUTTER TYPE M-6.12
  - (E) EXISTING SIDEWALK
  - (F) PARKWAY (GRASS AREA)
  - (G) EXISTING CONCRETE MEDIAN
- PROPOSED LEGEND**
- (1) PORTLAND CEMENT PAVEMENT (JOINTED), 10"
  - (2) AGGREGATE SUBGRADE, 12"
  - (3) COMBINATION CONCRETE CURB AND GUTTER, TYPE B6.24
  - (4) LANDSCAPING (SEE LANDSCAPING PLANS FOR DETAILS)
  - (5) PORTLAND CONCRETE CEMENT SIDEWALK, 5"
  - (6) NOT USED
  - (7) LONGITUDINAL CONSTRUCTION JOINT GROUTED IN PLACE, No. 6 TIE BAR AT 24" LONG, DEFORMED (EPOXY COATED) AT 24" CTS. (INCLUDED IN THE COST OF THE PROPOSED PAVEMENT)
  - (8) No. 6 TIE BAR AT 24" LONG, DEFORMED (EPOXY COATED) AT 24" CTS. (INCLUDED IN THE COST OF THE PROPOSED CURB AND GUTTER)
  - (9) TOPSOIL AND SEED (SALT TOLERANT. SEE LANDSCAPING SHEETS)
  - (10) CONCRETE MEDIAN, TYPE SB-6.18
  - (11) COMBINATION CONCRETE CURB AND GUTTER, TYPE B6.18



**LANDSCAPE MEDIAN DETAIL**  
AT SINGLE LEFT TURN LANE



**MEDIAN DETAIL**  
AT DUAL LEFT TURN LANES  
(SEE DISTRICT STANDARD 606301-02)

**STRUCTURAL DESIGN TRAFFIC:** Year 2015

PV= 49,943 SU= 1,629 MU= 2,714

**ROAD/STREET CLASSIFICATION:** Class I

**PERCENT OF STRUCTURAL DESIGN TRAFFIC IN DESIGN LANE:**

P= 8.0% S= 37% M= 37%

**TRAFFIC FACTOR:** Actual TF = 15.73%  
Minimum TF = 4.95%

**P.C.C. PAVEMENT - JOINTED = 10 Inch**

**SUBGRADE SUPPORT RATING:**  
SSR = POOR

**SUPERPAVE MIX DESIGN**

TEMPORARY PAVEMENT			
MIX TYPE	MAX RAP %	VOIDS	AC TYPE
BITUMINOUS BASE COURSE, SUPER PAVE, 8"	50	2% @ 50 Gyr.	PG 58-22
BITUMINOUS CONCRETE SURFACE COURSE, SUPERPAVE, MIX "D", N50 2"	15	4% @ 50 Gyr.	PG 64-22

**REVISIONS**

NAME	DATE

ILLINOIS DEPARTMENT OF TRANSPORTATION  
US RTE 6 (159TH ST) AT US RTE 45 (LAGRANGE RD)

**US RTE 45 (LAGRANGE ROAD)**  
TYPICAL SECTIONS

SCALE: N.T.S. DRAWN BY: JPW  
DATE: 7-07-06 CHECKED BY: RCH

**McDonough Associates Inc.**  
Engineers / Architects

Rev. 11-1-06

10/28/2006 8:20:24 PM