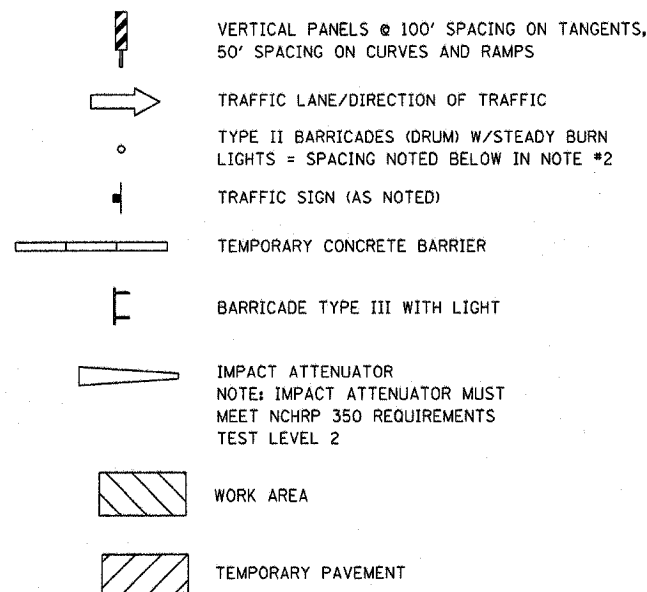


MOT LEGEND



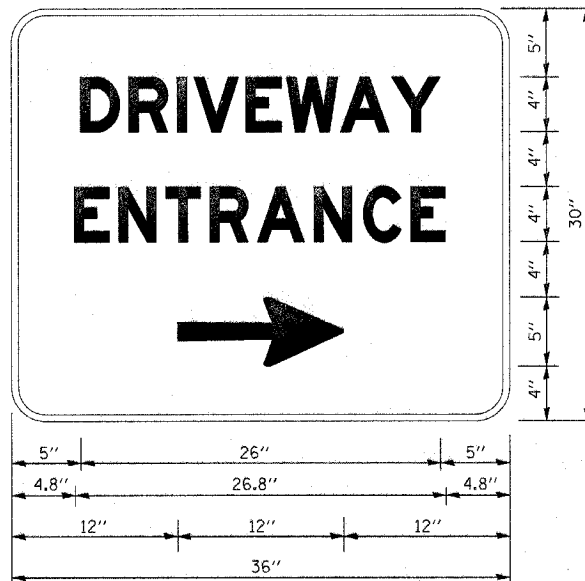
MAINTENANCE OF TRAFFIC GENERAL NOTES

1. TRAFFIC CONTROL SHALL BE PERFORMED IN ACCORDANCE WITH THE STANDARD SPECIFICATIONS FOR ROAD AND BRIDGE CONSTRUCTION, ILLINOIS MANUAL ON UNIFORM TRAFFIC CONTROL DEVICES AND THE APPLICABLE HIGHWAY STANDARD OR AS HEREIN SPECIFIED.
2. THE WORK ZONE WILL BE DELINEATED AT ALL TIMES THROUGHOUT CONSTRUCTION BY TYPE II BARRICADES OR DRUMS WITH MONODIRECTIONAL STEADY BURN LIGHTS AT 50' CENTERS ON TANGENTS AND 25' CENTERS ON TAPERS AND LANE SHIFTS AND 12' CENTERS ON RADII.
3. OPPOSING LANES OF TRAFFIC WILL BE DELINEATED AT ALL TIMES THROUGHOUT CONSTRUCTION BY TWO 4-INCH YELLOW TEMPORARY PAVEMENT MARKING LINES AT 11-INCH CENTERS.
4. THE COST OF FURNISHING, INSTALLING, MAINTAINING, RELOCATING, AND REMOVING ALL TRAFFIC CONTROL DEVICES INCLUDING BUT NOT LIMITED TO: DRUMS, BARRICADES, CONSTRUCTION SIGNS, WARNING LIGHTS, FLAGMEN, AND ALL OTHER MISCELLANEOUS DEVICES USED FOR THE PURPOSE OF RELOCATING OR DIRECTING TRAFFIC DURING CONSTRUCTION OF THIS IMPROVEMENT WILL BE INCLUDED IN THE CONTRACT LUMP SUM PRICE FOR TRAFFIC CONTROL AND PROTECTION. TEMPORARY PAVEMENT, TEMPORARY PAVEMENT MARKING LINES, PAVEMENT MARKING REMOVAL WILL BE PAID SEPARATELY.
5. WHERE PROVIDED, EXISTING TRAFFIC SIGNS SHALL BE RELOCATED FOR EACH CONSTRUCTION STAGE. THE COSTS ASSOCIATED WITH RELOCATING THE EXISTING SIGNS SHALL BE INCLUDED IN THE CONTRACT LUMP SUM PRICE OF TRAFFIC CONTROL AND PROTECTION.
6. ACCESS TO DRIVEWAYS AND SIDE ROADS IS TO BE MAINTAINED DURING CONSTRUCTION. ANY DELAYS OR INCONVENIENCES CAUSED THE CONTRACTOR BY COMPLYING WITH THESE REQUIREMENTS SHALL BE CONSIDERED AS INCIDENTAL TO THE CONTRACT AND NO ADDITIONAL COMPENSATION WILL BE ALLOWED.
7. TEMPORARY PAVEMENT MARKINGS SHALL BE WET TEMPORARY PAVEMENT MARKING TAPE, TYPE III ON EXISTING, TEMPORARY PAVEMENT OR ON NEW PAVEMENT PRIOR TO AND BEYOND THE CONSTRUCTION ZONE.
8. ALL AUXILIARY LANES SHALL BE 11' WIDE UNLESS OTHERWISE NOTED.
9. THE CONTRACTOR SHALL INSTALL WORK ZONE SPEED LIMIT SIGN ASSEMBLIES BEYOND EACH LEG OF THE INTERSECTION OF US 45 AND US 6 DURING ALL STAGES OF CONSTRUCTION.
10. "DRIVEWAY ENTRANCE" SIGNS SHALL BE INSTALLED AS SHOWN ON THE PLANS AND PAID FOR AS "TEMPORARY INFORMATION SIGNING".
11. WORK ZONE PUBLIC INFORMATION SIGNS SHALL BE PROVIDED AT LOCATIONS DIRECTED BY THE ENGINEER. THE MESSAGE AND SIZE OF THE SIGNS SHALL BE SPECIFIED BY THE DEPARTMENT. THE SIGNS SHALL BE INCLUDED FOR PAYMENT AS PART OF THE LUMP SUM COST FOR "TRAFFIC CONTROL AND PROTECTION (SPECIAL)".

SUGGESTED SEQUENCE OF CONSTRUCTION

- PRE STAGE:**
INSTALL TEMPORARY LIGHTING AND CONTROLLER. REMOVE EXISTING LIGHT POLES. SEE LIGHTING PLANS FOR LIGHTING PHASING NOTES. CONSTRUCT TEMPORARY PAVEMENT ALONG 159TH STREET AND US 45 REMOVE RAISED MEDIANS AND REPLACE WITH TEMPORARY PAVEMENT
- STAGE 1:**
SHIFT TRAFFIC TO EAST SIDE OF US 45 AND CONSTRUCT SOUTHBOUND LANES OF US 45
SHIFT TRAFFIC TO SOUTH SIDE OF 159TH STREET AND CONSTRUCT WESTBOUND LANES OF 159TH STREET
- STAGE 2:**
SHIFT SOUTHBOUND TRAFFIC TO NEWLY CONSTRUCTED LANES AND BUILD MEDIAN PAVEMENT OF US 45
SHIFT WESTBOUND TRAFFIC TO NEWLY CONSTRUCTED LANES AND BUILD MEDIAN PAVEMENT OF 159TH STREET
- STAGE 3:**
SHIFT TRAFFIC TO WEST SIDE OF US 45 AND CONSTRUCT NORTHBOUND LANES
SHIFT TRAFFIC TO NORTH SIDE OF 159TH STREET AND CONSTRUCT EASTBOUND LANES
- STAGE 4:**
SHIFT NORTHBOUND AND SOUTHBOUND 2 LANES OF TRAFFIC TO THE EAST SIDE AND WEST SIDE OF US 45 RESPECTIVELY. CLOSE BOTH INSIDE LANES BY UTILIZING IDOT STANDARD 701601-04 FOR SINGLE LANE CLOSURE AND COMPLETE THE CONSTRUCTION OF RAISED MEDIAN.
- SHIFT WESTBOUND AND EASTBOUND 2 LANES OF TRAFFIC TO THE NORTH SIDE AND SOUTH SIDE OF 159TH STREET RESPECTIVELY. CLOSE BOTH INSIDE LANES BY UTILIZING IDOT STANDARD 701601-04 FOR SINGLE LANE CLOSURE AND COMPLETE THE CONSTRUCTION OF RAISED MEDIAN.

DRIVEWAY ENTRANCE SIGNING

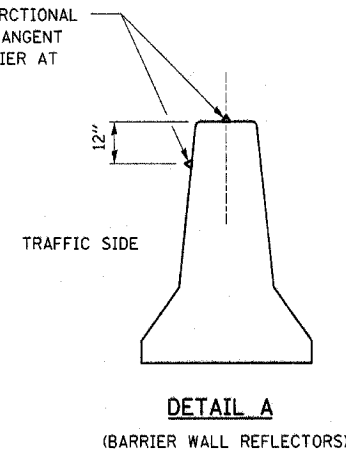


3.0" RADIUS, 0.5" BORDER, WHITE ON GREEN; REFLECTORIZED
"DRIVEWAY" D; "ENTRANCE" D; STANDARD ARROW CUSTOM 12.0"x5.0"

NOTES:

- HALF OF THE SIGNS WILL REQUIRE A LEFT HAND FACING ARROW.
- TWO SIGNS SHALL BE USED AT EACH COMMERCIAL ENTRANCE PLACED BACK-TO-BACK; ONE WITH THE RIGHT HAND ARROW (SHOWN) SHALL BE PLACED ON THE NEAR RIGHT SIDE THE DRIVEWAY AND ONE WITH A LEFT HAND ARROW SHALL BE PLACED ON THE FAR LEFT SIDE OF THE DRIVEWAY.
- SIGNS TO BE PAID FOR AS ITEM "TEMPORARY INFORMATION SIGNING".

TYPE "C" MONODIRECTIONAL REFLECTORS ON TANGENT PORTION OF BARRIER AT 50' CENTERS



REVISIONS		ILLINOIS DEPARTMENT OF TRANSPORTATION US RTE 6 (159TH ST) AT US RTE 45 (LAGRANGE RD)
NAME	DATE	
		MAINTENANCE OF TRAFFIC LEGEND AND SYMBOLS SCALE: N/A DATE: 7-07-06 DRAWN BY: TRK CHECKED BY: RCH McDonough Associates Inc. Engineers / Architects

I:\Dgn\m101001.sht
 10/28/2006
 8:42:56 PM

Rev. 11-1-06