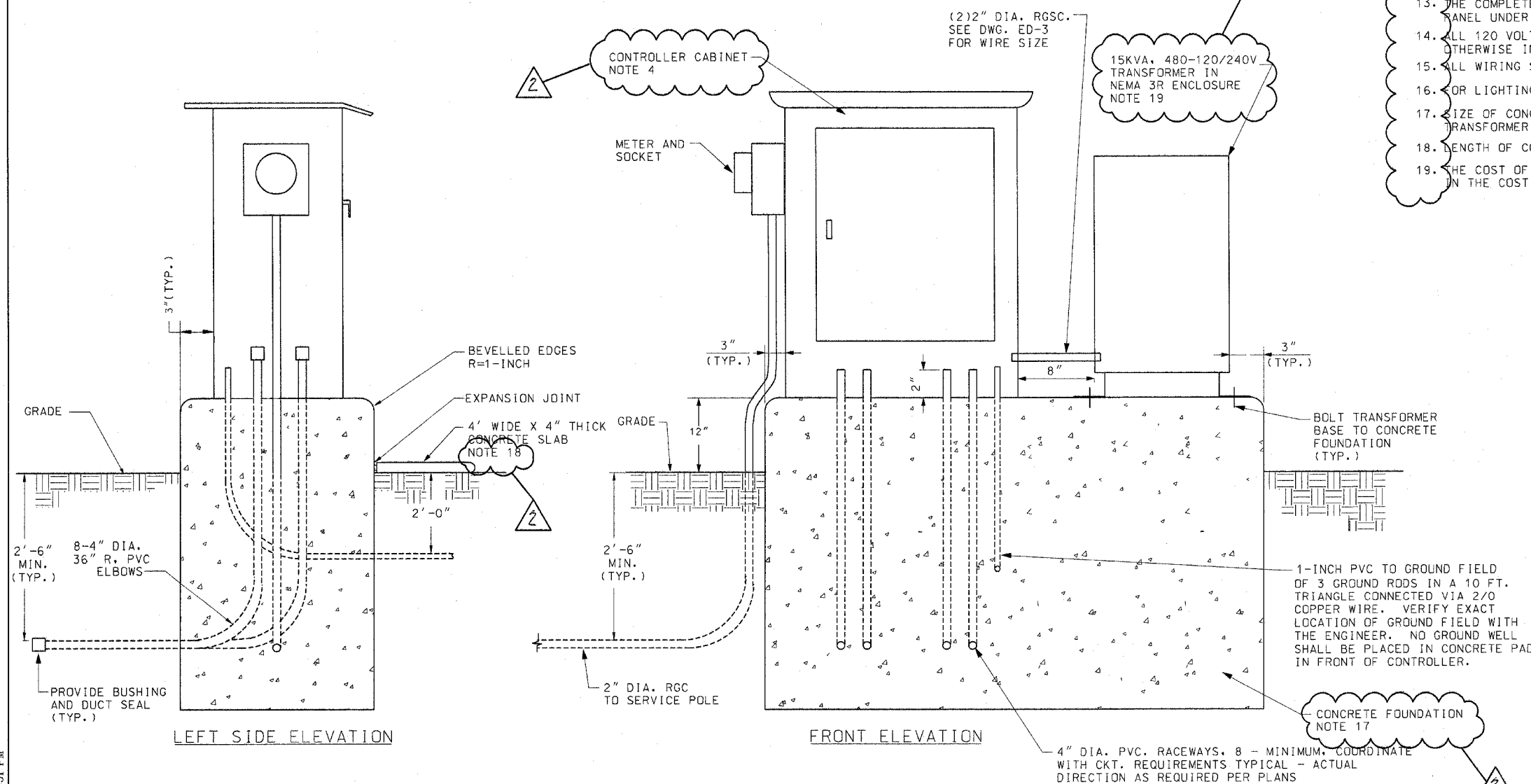


GENERAL NOTES:

1. COORDINATE PLACEMENT OF RACEWAYS WITH CONTROLLER MANUFACTURER TO ASSURE DOOR LATCH DOES NOT INTERFERE WITH CABLES OR OTHER DEVICES.
2. THE CONTRACTOR SHALL PROVIDE A GROUND FIELD AT EACH CABINET LOCATION. THE GROUND RODS, ANCHOR BOLTS AND REINFORCEMENT STEEL SHALL ALL BE INTERCONNECTED.
3. THE CONTRACTOR SHALL VERIFY EXACT LOCATION OF GROUND FIELD WITH THE ENGINEER.
4. SEE DRAWING ED-6 FOR CONTROL CABINET DETAILS.
5. ALL SCREWS AND HARDWARE SHALL BE PLATED, GALVANIZED, OR MADE OF BRASS, ALUMINUM OR STAINLESS STEEL.
6. NAME PLATE SHALL HAVE ENGRAVED 0.75 INCH HIGH LETTERS FILLED IN BLACK: "ROADWAY LIGHTING CONTROLLER, VILLAGE OF ORLAND PARK".
7. ONE INCH THICK POLYISOCYANURATE INSULATION SHALL BE INSTALLED AND PERMANENTLY CEMENTED ON ALL SIDES OF THE CABINET AND DOORS.
8. ALL DEVICES SHALL BE FRONT REMOVABLE.
9. ALL LUGS SHALL BE OF COPPER SCREWS AND CONNECTORS, SPRING HELD.
10. ALL CONTROL WIRING SHALL BE 600V MACHINE TOOL WIRE TYPE MTW.
11. ALL POWER WIRING SHALL BE 600V TYPE RHH/RHW.
12. CIRCUIT BREAKERS, CONTACTORS AND OTHER COMPONENTS SHALL BE PANEL MOUNTED ON 0.125 INCH THICK GLASTIC INSULATION BACK PANEL.
13. THE COMPLETED CONTROLLER SHALL BE U.L. LISTED AS AN INDUSTRIAL CONTROL PANEL UNDER UL508.
14. ALL 120 VOLT SYSTEM AND ALL CONTROL WIRING SHALL BE #12AWG STRANDED UNLESS OTHERWISE INDICATED.
15. ALL WIRING SHALL BE NEATLY DRESSED AND SUPPORTED.
16. FOR LIGHTING CONTROLLER WIRING DIAGRAM, SEE DRAWING ED-3.
17. SIZE OF CONCRETE FOUNDATION AS REQUIRED TO SUPPORT CONTROL CABINET AND TRANSFORMER.
18. LENGTH OF CONCRETE SLAB SHOULD MATCH LENGTH OF CONCRETE FOUNDATION.
19. THE COST OF THE TRANSFORMER AND THE RELATED WORK SHALL BE INCLUDED IN THE COST OF "LIGHTING CONTROLLER, SPECIAL, 200A, 240/480V" PAY ITEM.



REVISIONS	
NAME	DATE

ILLINOIS DEPARTMENT OF TRANSPORTATION
US RTE 6 (159TH ST) AT US RTE 45 (LAGRANGE RD)

**GROUNDING AND LIGHTING CONTROLLER
INSTALLATION DETAILS**

SCALE: NONE
DATE: 7-07-06

DRAWN BY: MB
CHECKED BY: KMY

McDonough Associates Inc.
Engineers / Architects

I:\Elec\CADD\ED-2.dgn
07/28/2006
7:34:51 PM

ED-2

Rev. 11-1-06