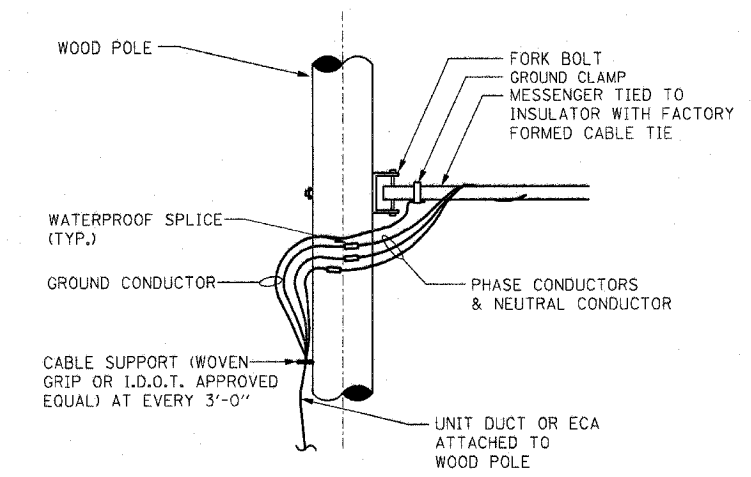
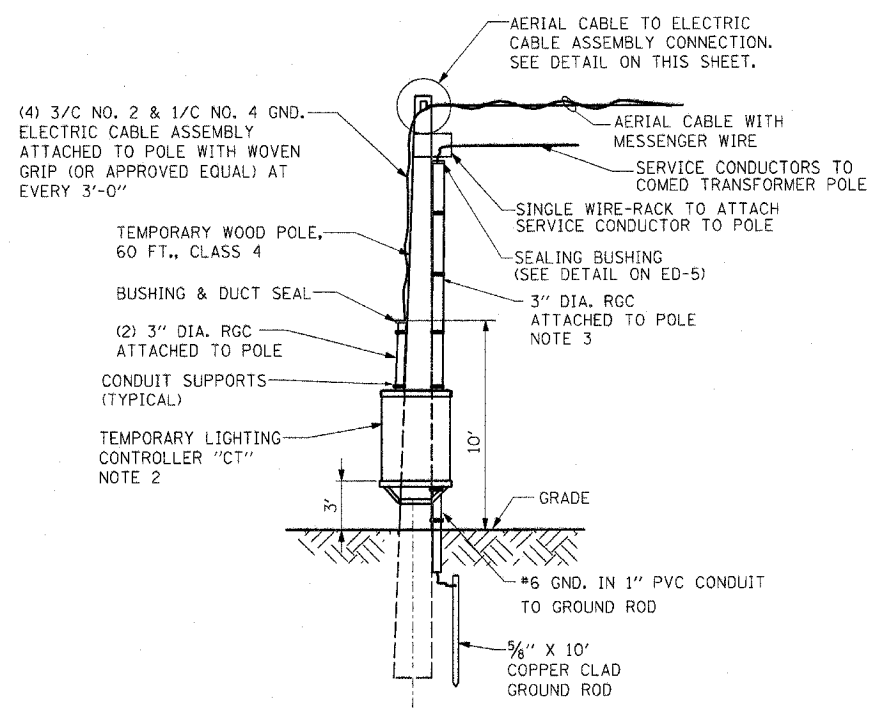


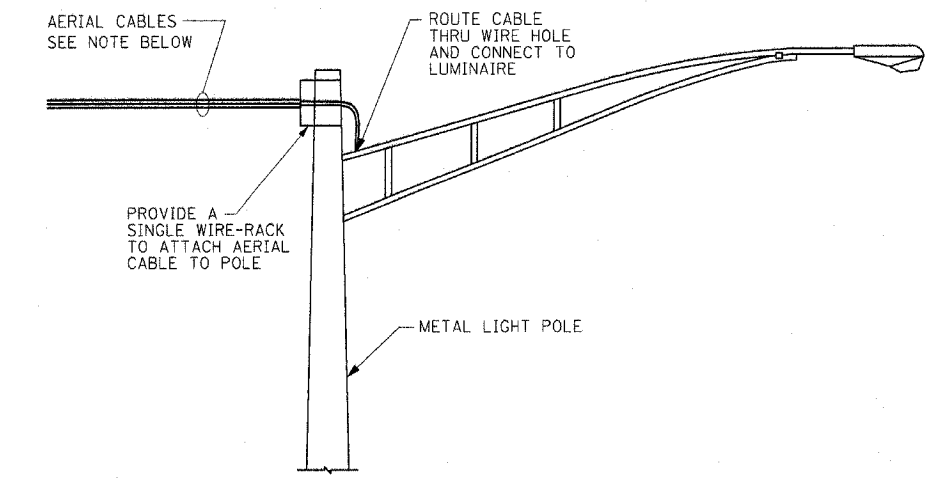
F.A.P. RTE.	SECTION	COUNTY	TOTAL SHEETS	SHEET NO.
351	537 R-1	COOK	245	178
STA.		TO STA.		
FED. ROAD DIST. NO.		ILLINOIS FED. AID PROJECT		
CONTRACT # 62880				



**AERIAL CABLE TO ELECTRIC CABLE ASSEMBLY CONNECTION DETAIL**  
N.T.S.

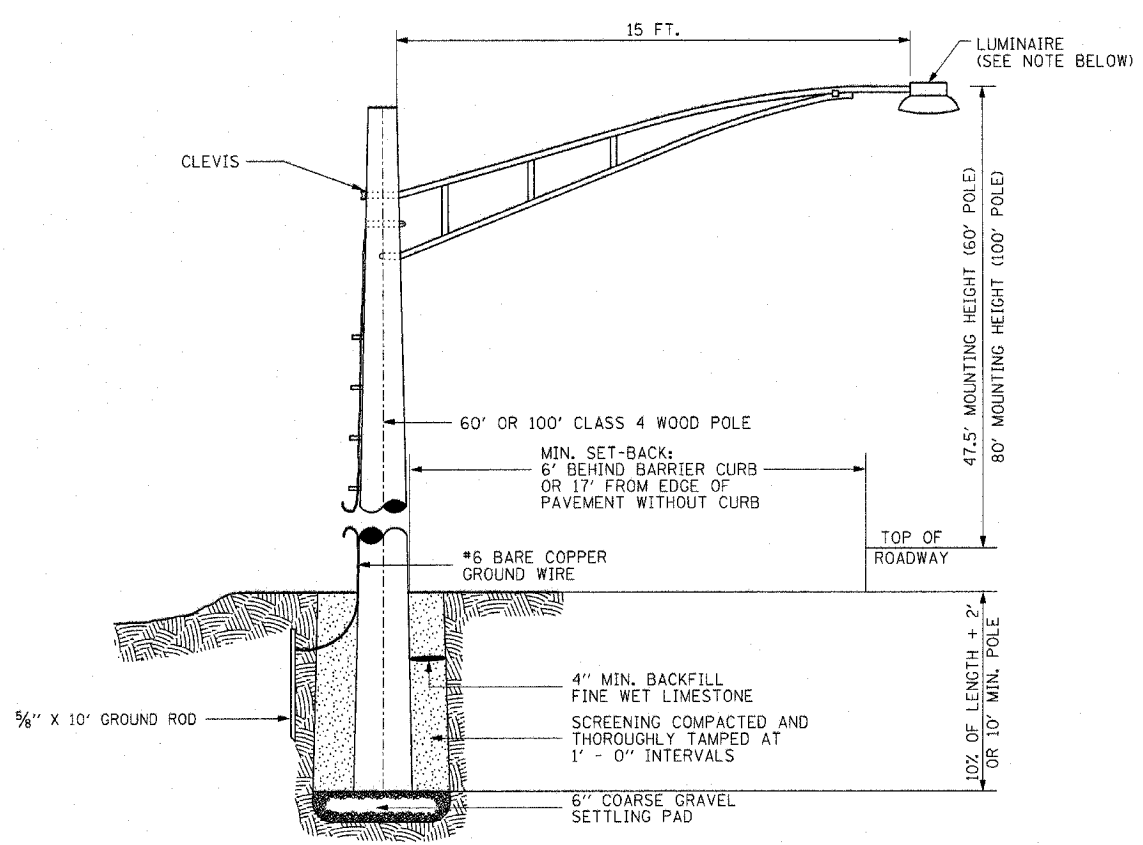


**TEMPORARY LIGHTING CONTROLLER "CT" WIRING AND SERVICE INSTALLATION DETAIL**  
N.T.S.



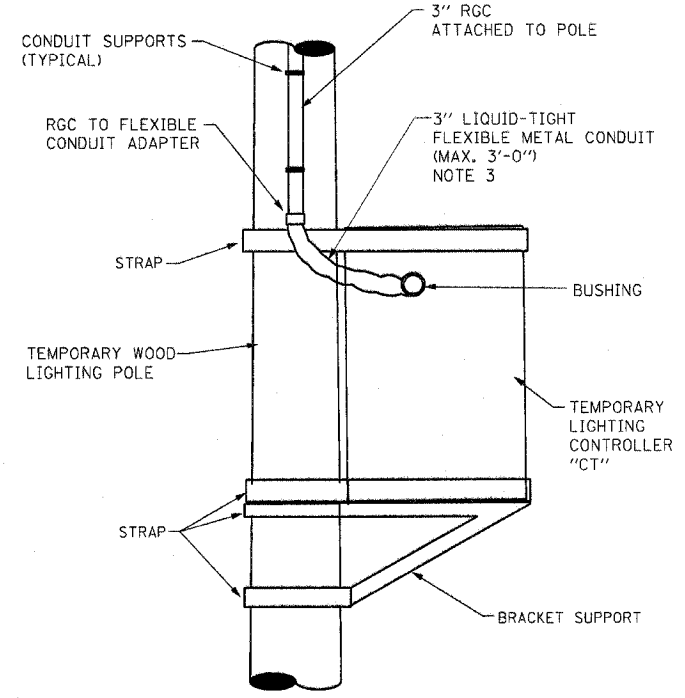
**TEMPORARY POWER FEED TO EXISTING POLE DETAIL**  
N.T.S.

**NOTE:**  
THE COST OF CONNECTING AERIAL CABLES TO EXISTING LIGHTING UNIT SHALL BE INCLUDED IN THE COST OF THE AERIAL CABLE PAY ITEM. NO SEPARATE PAYMENT WILL BE MADE.



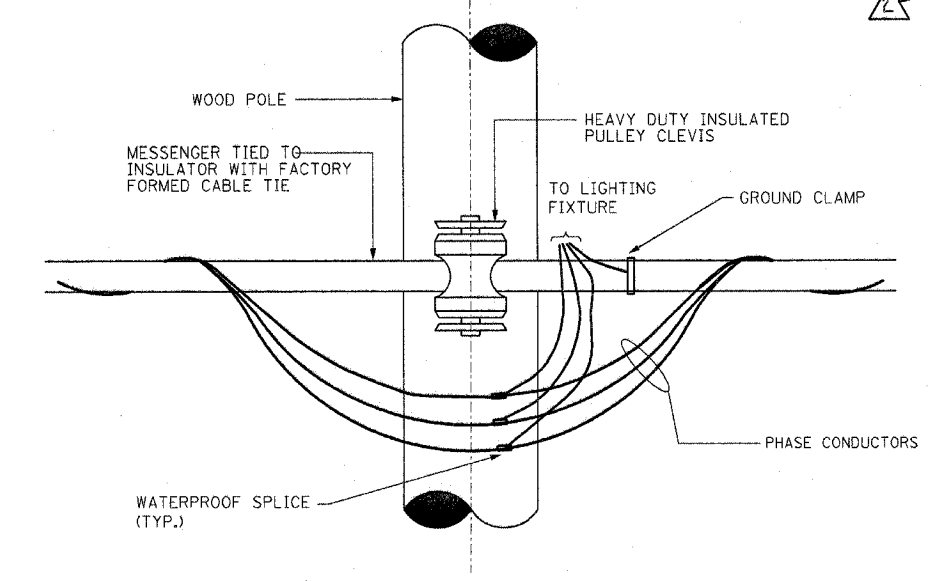
**TEMPORARY LIGHT POLE INSTALLATION DETAIL**  
N.T.S.

**NOTE:**  
ALL 100 FT TEMPORARY LUMINAIRE UNITS SHALL HAVE 750W, HORIZONTAL MOUNTED HIGH MAST LUMINAIRE. ALL 60 FT TEMPORARY LIGHTING UNITS SHALL HAVE 250W, HORIZONTAL MOUNTED, SODIUM VAPOR LUMINAIRE UNLESS NOTED OTHERWISE



**TEMPORARY LIGHTING CONTROLLER "CT" INSTALLATION DETAIL**  
N.T.S.

- NOTES:**
- TEMPORARY WOOD POLE AND CONTROLLER MOUNTING HARDWARE AND RELATED APPURTENANCES SHALL BE INCLUDED IN TEMPORARY LIGHTING CONTROLLER PAY ITEM.
  - SEE DRAWING ED-6 FOR DETAILS AND ED-8 FOR CONTROLLER WIRING DIAGRAM.
  - THE COST OF ALL CONDUITS ATTACHED TO WOOD POLE AND 3/C NO.2 & 1/C NO.4 GND ELECTRIC CABLE ASSEMBLY TO THE POLE TOP SHALL BE INCLUDED IN THE COST OF TEMPORARY ELECTRIC SERVICE INSTALLATION PAY ITEM. NO SEPARATE PAYMENT WILL BE MADE.



**TEMPORARY LIGHT POLE CABLE ATTACHMENT DETAIL**  
N.T.S.

I:\Elec\CADD\ED-7.dgn  
10/28/2006  
7:36:20 PM

REVISIONS		DATE
NAME		

ED-7

ILLINOIS DEPARTMENT OF TRANSPORTATION  
US RTE 6 (159TH ST) AT US RTE 45 (LAGRANGE RD)

**TEMPORARY LIGHTING DETAILS**

SCALE: NONE      DRAWN BY: MB  
DATE: 7-07-06      CHECKED BY: KMY

**McDonough Associates Inc.**  
Engineers / Architects