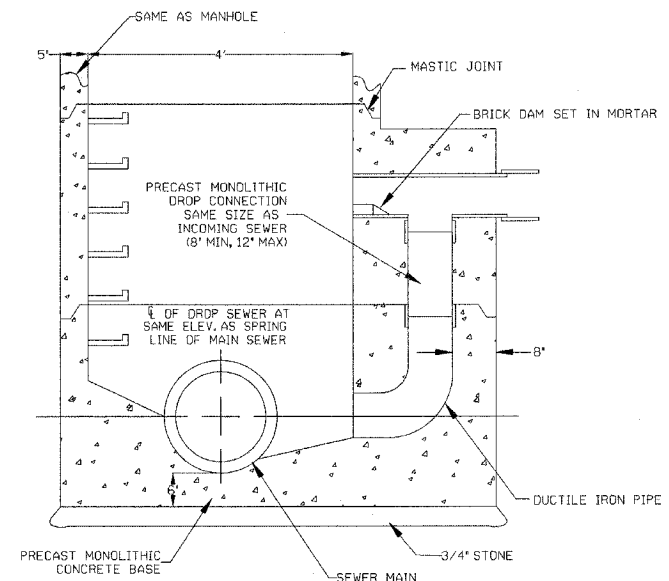
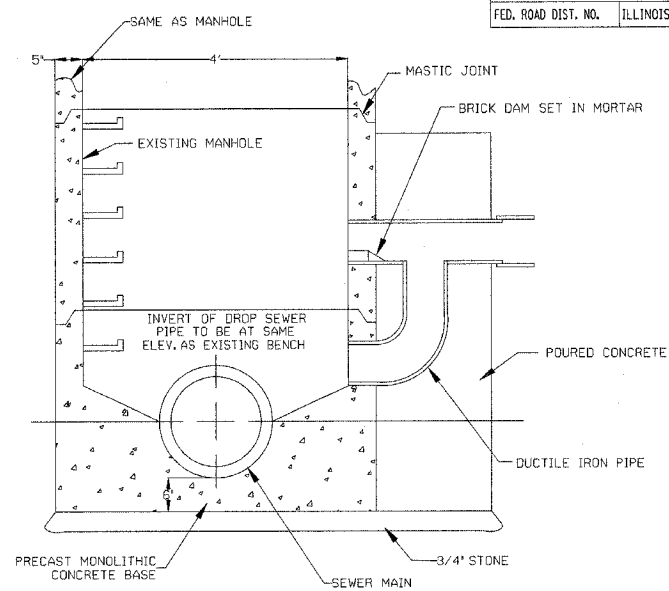


NOTES:
 DIMENSION 10" FOR PRECAST REINFORCED CONCRETE SECTIONS NOT SHOWN FROM THE CENTERLINE GIVEN TO FIELD & PAVED. THE CAST IRON STEPS AS DETAIL IS HERE ON ARE TYPICAL. STEPS OF OTHER DESIGN AND MATERIAL THAT WILL CONFORM TO THE MINIMUM REQUIREMENTS OF THE STEPS SHOULD BE USED WHEN APPROVED BY THE ENGINEER.
 CAST IRON STEPS SHALL BE GRAY IRON CONFORMING TO THE REQUIREMENTS OF ARTICLE 7 OF THE STANDARD SPECIFICATIONS. STEPS SHALL BE EMBEDDED INTO THE WALL A MINIMUM OF 3 INCHES. STEPS SHALL NOT BE EXTENDED ON THE OUTSIDE.

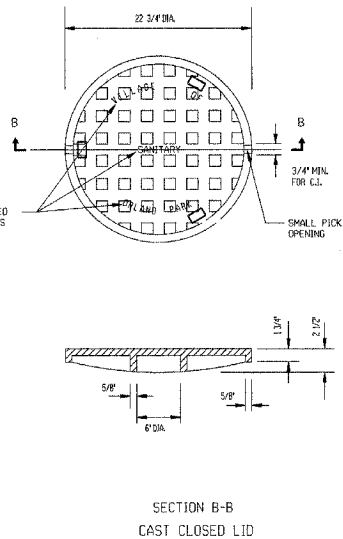
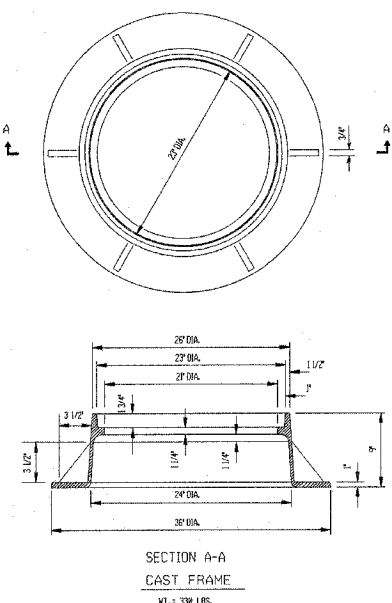
MANHOLE TYPE A		
DESIGNED BY	SANITARY SEWER IMPROVEMENT	DATE
DRAWN BY		REVISION
Village of	ORLAND PARK	REVISION
Engineering Department		DATE
		SS-01



DROP MANHOLE		
DESIGNED BY	SANITARY SEWER IMPROVEMENT	DATE
DRAWN BY		REVISION
Village of	ORLAND PARK	REVISION
Engineering Department		DATE
		SS-02

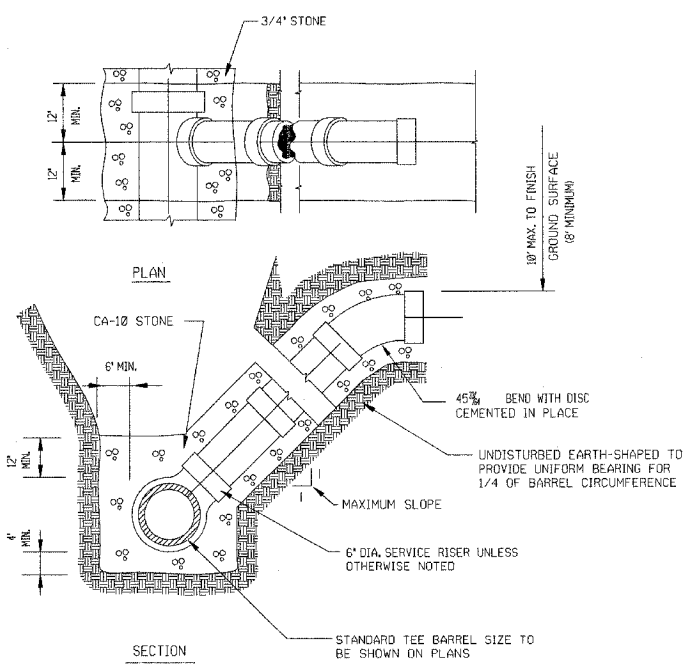


DROP FOR EXISTING MANHOLE		
DESIGNED BY	SANITARY SEWER IMPROVEMENT	DATE
DRAWN BY		REVISION
Village of	ORLAND PARK	REVISION
Engineering Department		DATE
		SS-03

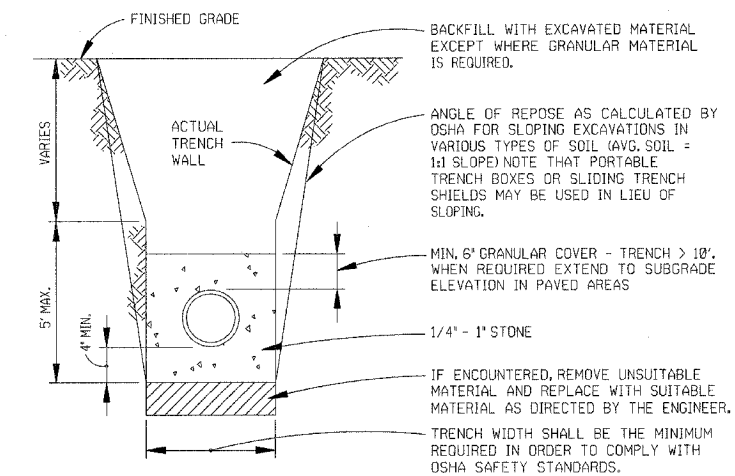


- DUCTILE IRON CASTINGS SHALL BE GRADE 60-40-18 & SHALL BE TESTED IN ACCORDANCE WITH FEDERAL SPECIFICATIONS.
- CASTINGS SHALL BE EAST JORDAN IRON WORKS 105021 FRAME AND 102064 COVER.

SANITARY MANHOLE FRAME & COVER		
DESIGNED BY	SANITARY SEWER IMPROVEMENT	DATE
DRAWN BY		REVISION
Village of	ORLAND PARK	REVISION
Engineering Department		DATE
		SS-04



SANITARY SERVICE RISER		
DESIGNED BY	SANITARY SEWER IMPROVEMENT	DATE
DRAWN BY		REVISION
Village of	ORLAND PARK	REVISION
Engineering Department		DATE
		SS-05



ABS AND PVC WHEN USED AS SANITARY SEWER SHALL REQUIRE GRANULAR BEDDING AND COVER AS DETAILED.
 DIP WHEN USED AS SANITARY SEWER SHALL REQUIRE GRANULAR TO TOP OF PIPE.

TRENCH SECTION SANITARY SEWER		
DESIGNED BY	SANITARY SEWER IMPROVEMENT	DATE
DRAWN BY		REVISION
Village of	ORLAND PARK	REVISION
Engineering Department		DATE
		SS-06

REVISIONS	
NAME	DATE

ILLINOIS DEPARTMENT OF TRANSPORTATION
 US RTE 6 (159TH ST) AT US RTE 45 (LAGRANGE RD)
VILLAGE SEWER AND WATER DETAILS
 SCALE: N/A
 DATE: 7-07-06
 DRAWN BY: VOP
 CHECKED BY: RCH
McDonough Associates Inc.
 Engineers / Architects