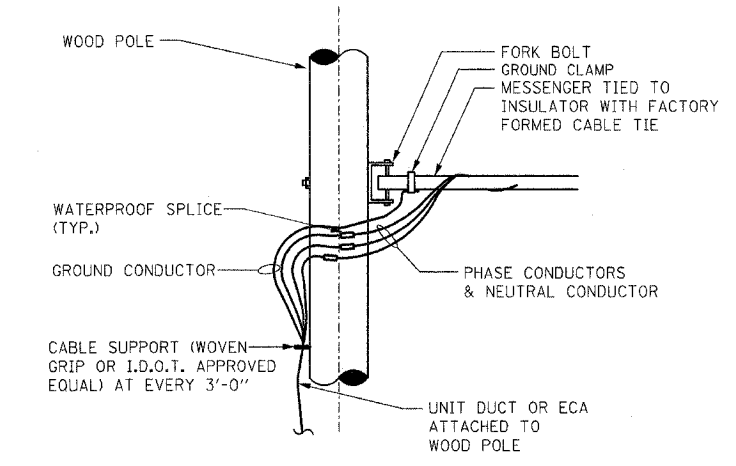
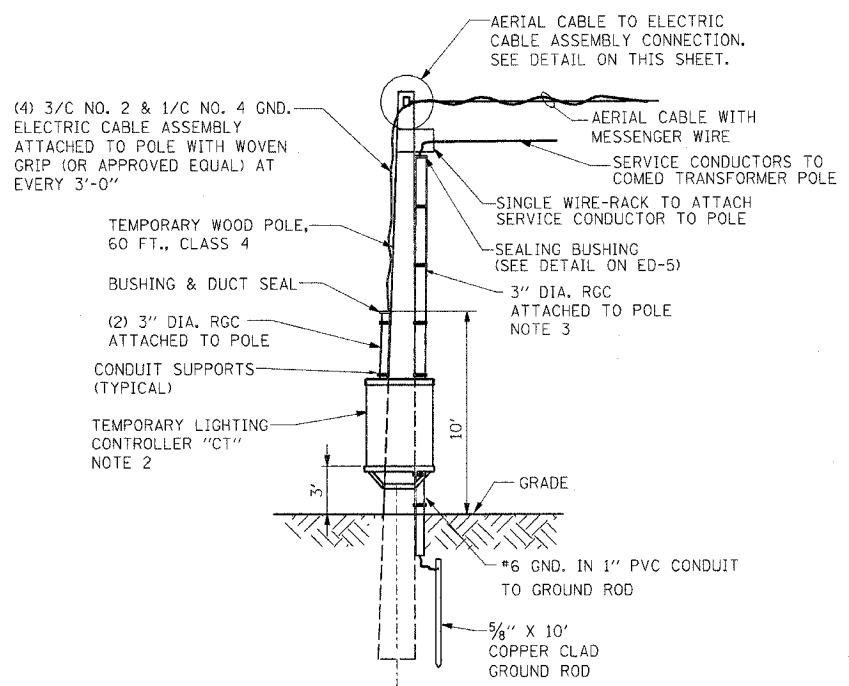


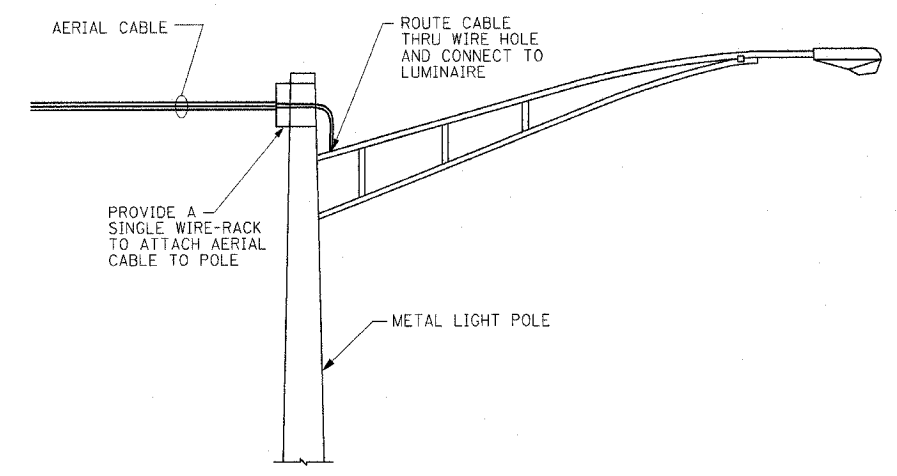
F.A.P. RTE.	SECTION	COUNTY	TOTAL SHEETS	SHEET NO.
351	537 R-1	COOK	245	178
STA.		TO STA.		
FED. ROAD DIST. NO.	ILLINOIS	FED. AID PROJECT		
CONTRACT # 62880				



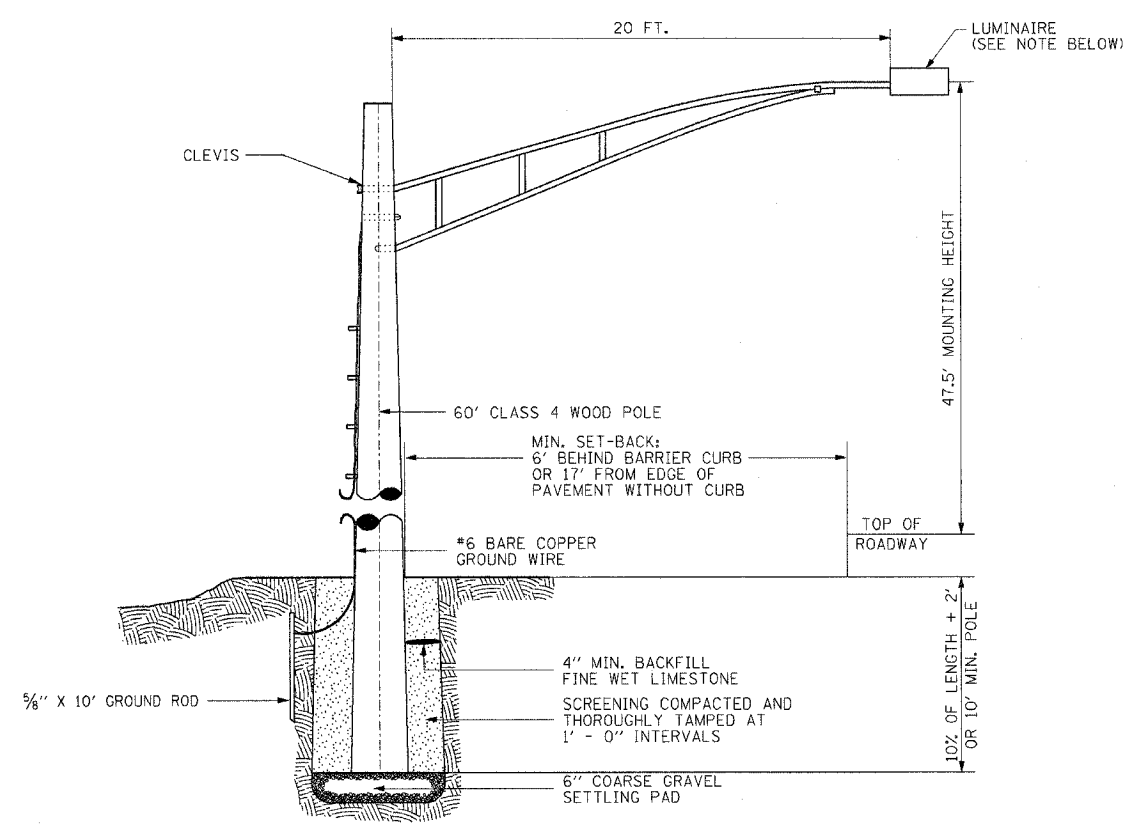
**AERIAL CABLE TO ELECTRIC CABLE ASSEMBLY CONNECTION DETAIL**  
N.T.S.



**TEMPORARY LIGHTING CONTROLLER "CT" WIRING AND SERVICE INSTALLATION DETAIL**  
N.T.S.

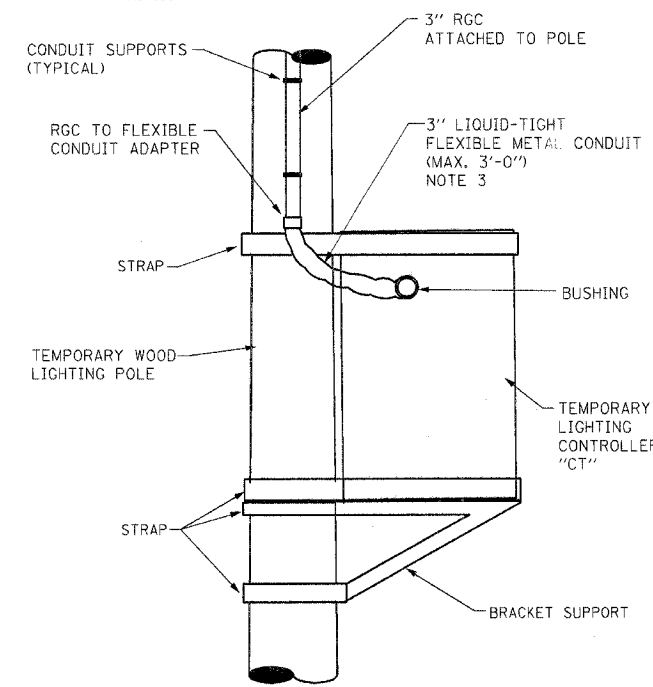


**TEMPORARY POWER FEED TO EXISTING POLE DETAIL**  
N.T.S.



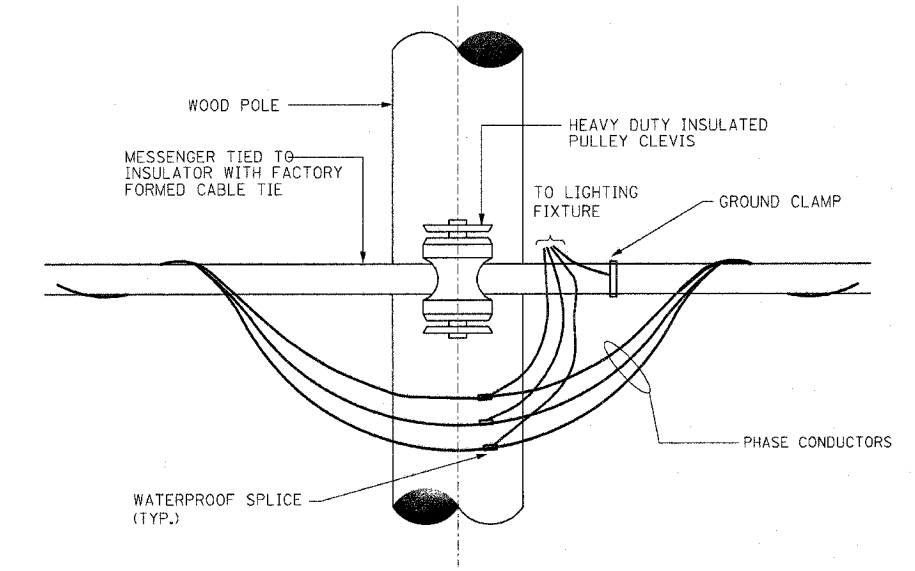
**TEMPORARY LIGHT POLE INSTALLATION DETAIL**  
N.T.S.

**NOTE:**  
TEMPORARY LUMINAIRE SHALL BE HORIZONTAL MOUNTED 400W HPS, CUTOFF ARCHITECTURAL WITH EITHER TYPE III OR TYPE IV DISTRIBUTION AS SPECIFIED ON THE PLANS. FIXTURE SHALL BE PROVIDED WITH MAST ARM ADAPTER.



**TEMPORARY LIGHTING CONTROLLER "CT" INSTALLATION DETAIL**  
N.T.S.

- NOTES:**
- TEMPORARY WOOD POLE AND CONTROLLER MOUNTING HARDWARE AND RELATED APPURTENANCES SHALL BE INCLUDED IN TEMPORARY LIGHTING CONTROLLER PAY ITEM.
  - SEE DRAWING ED-6 FOR DETAILS AND ED-8 FOR CONTROLLER WIRING DIAGRAM.
  - THE COST OF ALL CONDUITS ATTACHED TO WOOD POLE AND 3/C NO.2 & 1/C NO.4 GND ELECTRIC CABLE ASSEMBLY TO THE POLE TOP SHALL BE INCLUDED IN THE COST OF TEMPORARY ELECTRIC SERVICE INSTALLATION PAY ITEM. NO SEPARATE PAYMENT WILL BE MADE.



**TEMPORARY LIGHT POLE CABLE ATTACHMENT DETAIL**  
N.T.S.

REVISIONS	
NAME	DATE

ILLINOIS DEPARTMENT OF TRANSPORTATION  
US RTE 6 (159TH ST) AT US RTE 45 (LAGRANGE RD)  
**TEMPORARY LIGHTING DETAILS**  
SCALE: NONE  
DATE: 7-07-06  
DRAWN BY: MB  
CHECKED BY: KMY

FILES  
DATES  
TIMES