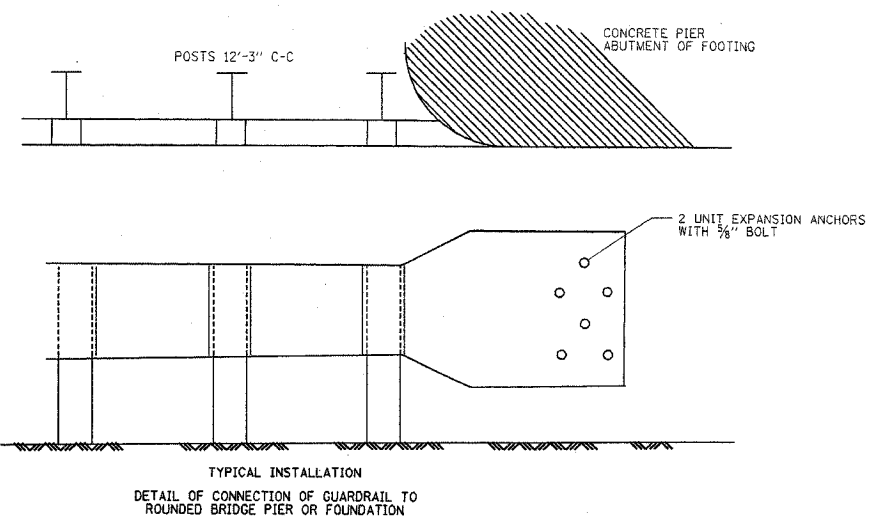
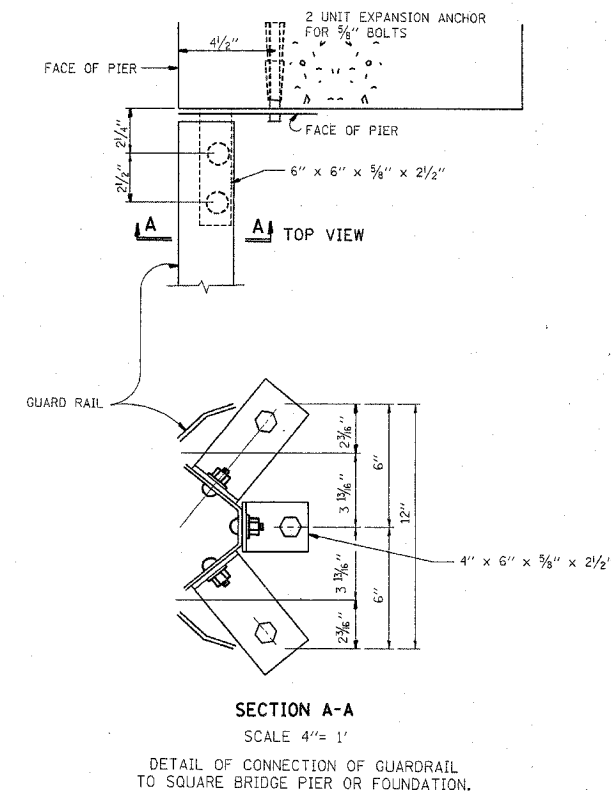
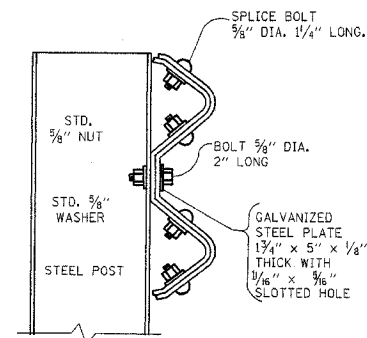
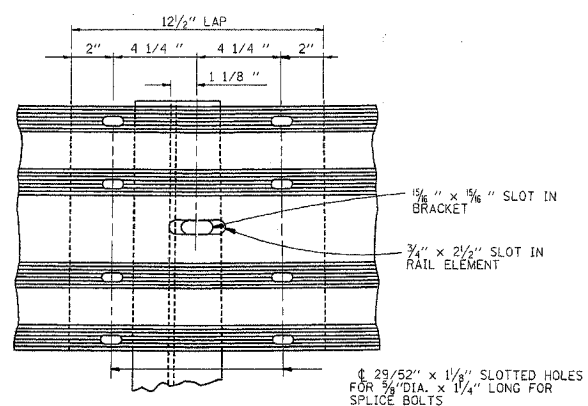
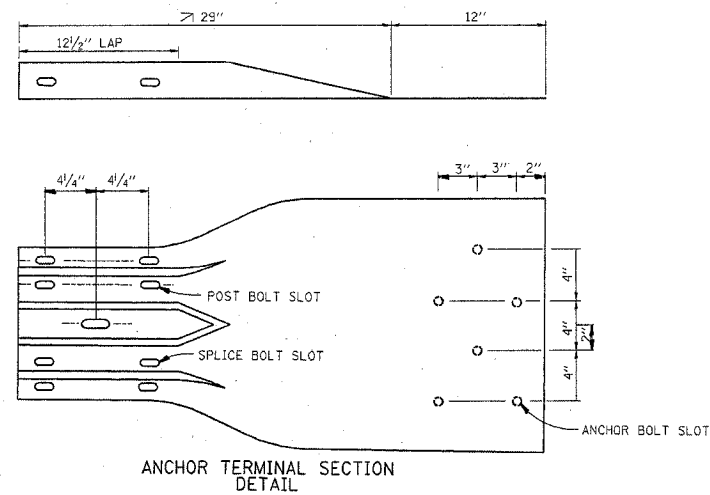


P.L. NO.	SECTION	COUNTY	TOTAL SHEETS	SHEET NO.
VAR. 2005-027	GRR	*	19	14
STA.	TO STA.			
FED. ROAD DIST. NO.	BLANKED	FED. AID PROJECT		

\* MCHENRY, LAKE, KANE, COOK AND DUPAGE  
CONTRACT 62961



THIS SHEET IS FOR INFORMATION ONLY

REVISIONS	
NAME	DATE
CREATED	10-31-88

ILLINOIS DEPARTMENT OF TRANSPORTATION  
DETAIL OF GUARDRAIL SUPPORT AND END ANCHORAGE  
SCALE: NONE  
DATE: 10/2/2006  
DRAWN BY: R.F.L.  
CHECKED BY: