

F.A.I. RTE.	SECTION	COUNTY	TOTAL SHEETS	SHEET NO.
80	37-1HBR-1	HENRY	133	9
STA.		TO STA.		
FED. ROAD DIST. NO.		ILLINOIS FED. AID PROJECT		

TYPICAL SECTIONS

POPPY GARDEN RD
STATION 35+90-44+50
STATION 59+50-63+70

STRUCTURAL DESIGN INFORMATION - FLEXIBLE PAVEMENT
STRUCTURAL DESIGN TRAFFIC: YEAR 2025
PV = 2960 SU = 125 MU = 15

ROAD/STREET CLASSIFICATION: Class II

PERCENT OF STRUCTURAL DESIGN TRAFFIC IN DESIGN LANE:
P = 50 S = 50 M = 50

TRAFFIC FACTOR: Actual TF = 0.202 Minimum TF = 0.5

AC Type = 20 AC Mixture Temp. = 78.6oF

AC Mixture Modulus = 585 Design Strain = 130

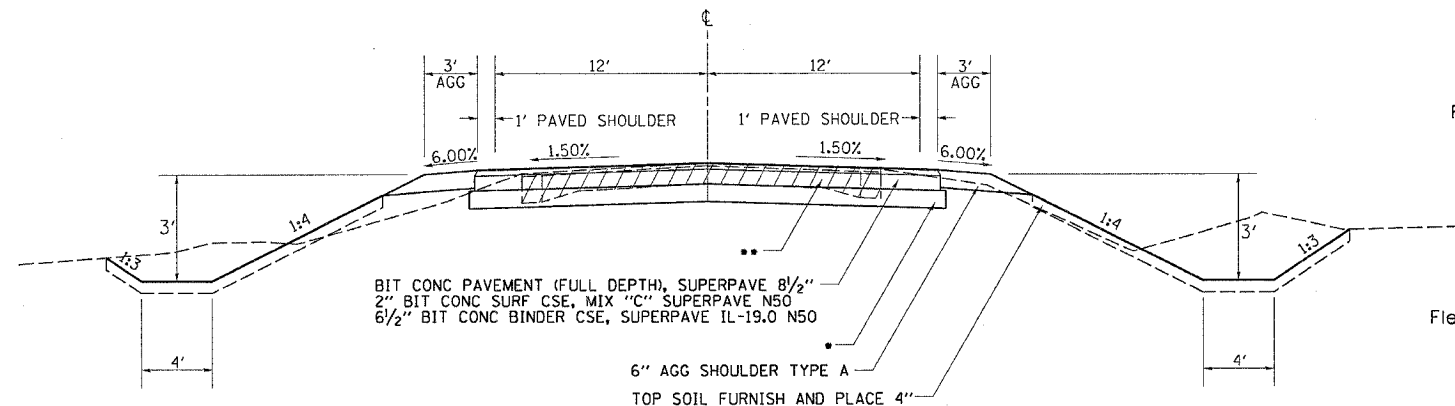
AC GRADE: Binder = PG 64-22 Surface = PG 64-22

Flexible Pavement Thickness = 8.5" Surface = 2" Binder = 6.5"

SUBGRADE SUPPORT RATING:

SSR = Poor (Sta. 35+90 to 63+70)

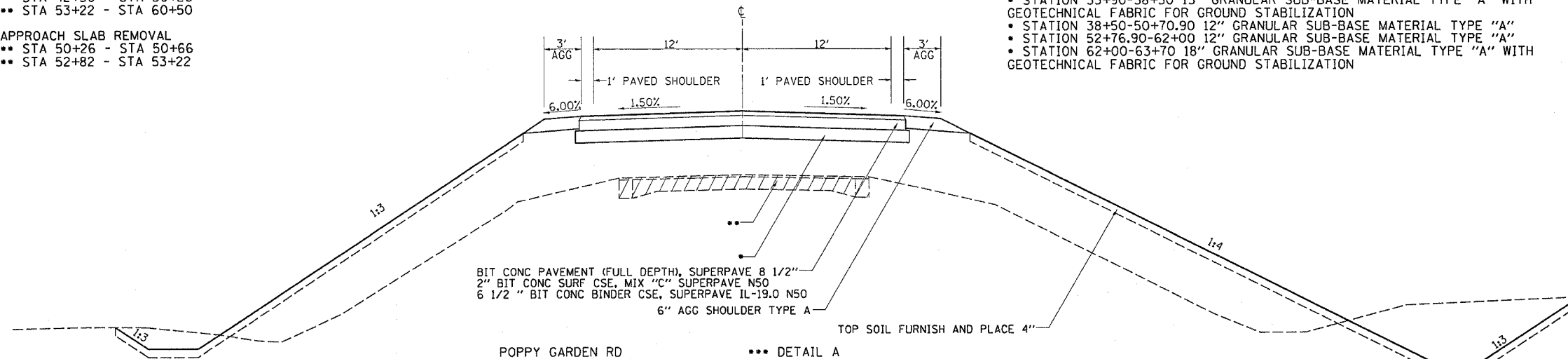
- NOTE:
PAVEMENT REMOVAL LIMITS
•• STA 35+90 - STA 42+50
•• STA 60+50 - STA 63+70
- PAVEMENT BREAKING LIMITS
•• STA 42+50 - STA 50+26
•• STA 53+22 - STA 60+50
- APPROACH SLAB REMOVAL
•• STA 50+26 - STA 50+66
•• STA 52+82 - STA 53+22



BRIDGE OMISSION 50+70.9 - 52+76.9

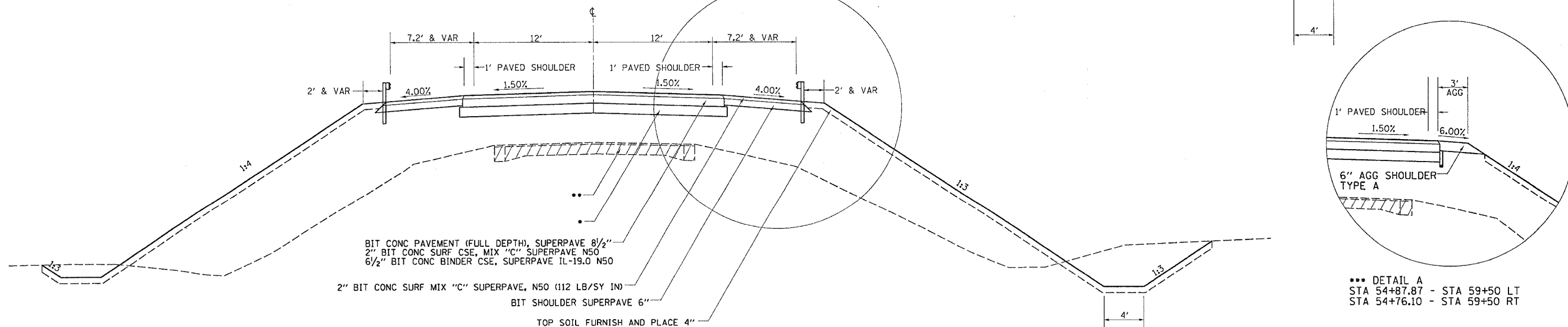
POPPY GARDEN RD
STATION 44+50-45+50

- NOTE:
• STATION 35+90-38+50 15" GRANULAR SUB-BASE MATERIAL TYPE "A" WITH GEOTECHNICAL FABRIC FOR GROUND STABILIZATION
• STATION 38+50-50+70.90 12" GRANULAR SUB-BASE MATERIAL TYPE "A"
• STATION 52+76.90-62+00 12" GRANULAR SUB-BASE MATERIAL TYPE "A"
• STATION 62+00-63+70 18" GRANULAR SUB-BASE MATERIAL TYPE "A" WITH GEOTECHNICAL FABRIC FOR GROUND STABILIZATION



POPPY GARDEN RD
STATION 52+76.9-59+50

*** DETAIL A



*** DETAIL A
STA 54+87.87 - STA 59+50 LT
STA 54+76.10 - STA 59+50 RT

FILE NAME = #FILE#
DATE = #DATE#
PLOT SCALE = #PLOTSCALE#
PLOT DATE = F:1 Sep 01 10:17:05 2006
OPERATOR = #OPERATOR#
DRAWING NO. = #DRAWINGNO#
REF. NAME = #REFNAME#
REF. SCALE = #REFSCALE#
REFERENCE = #REFERENCE#