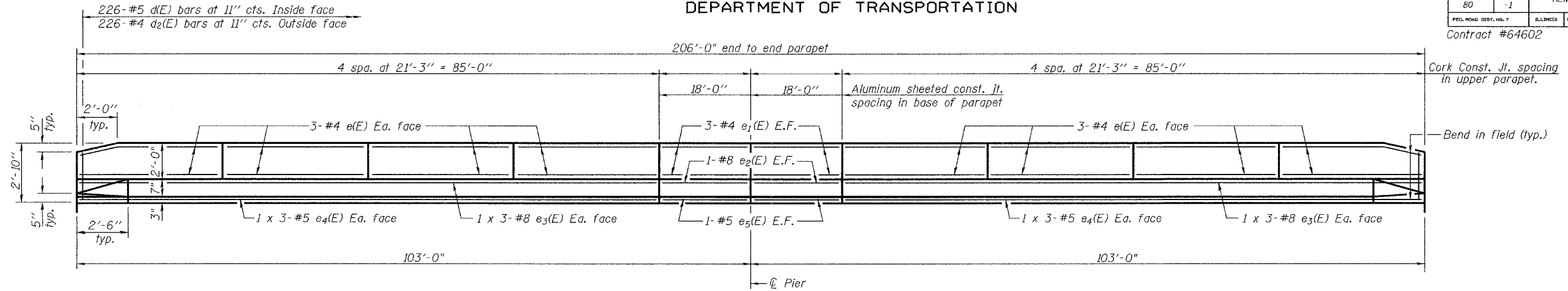


STATE OF ILLINOIS
DEPARTMENT OF TRANSPORTATION

ROUTE NO. F.A.I. 80	SECTION 37-IHBR -1	COUNTY HENRY	TOTAL SHEETS 133	SHEET NO. 69	SHEET NO. 6 18 SHEETS
FED. ROAD DIST. NO. 7		ILLINOIS		FED. AID PROJECT-	

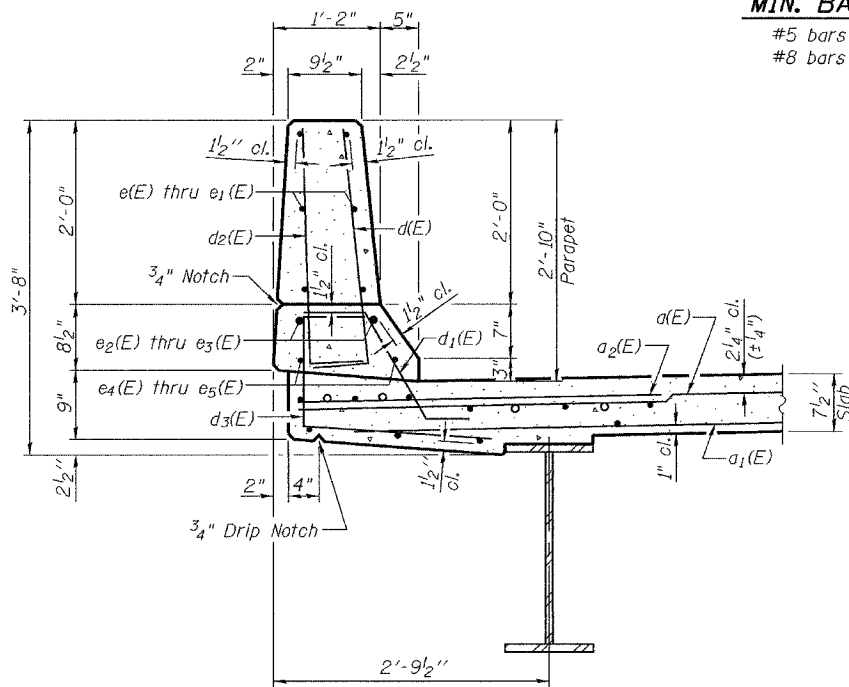
Contract #64602



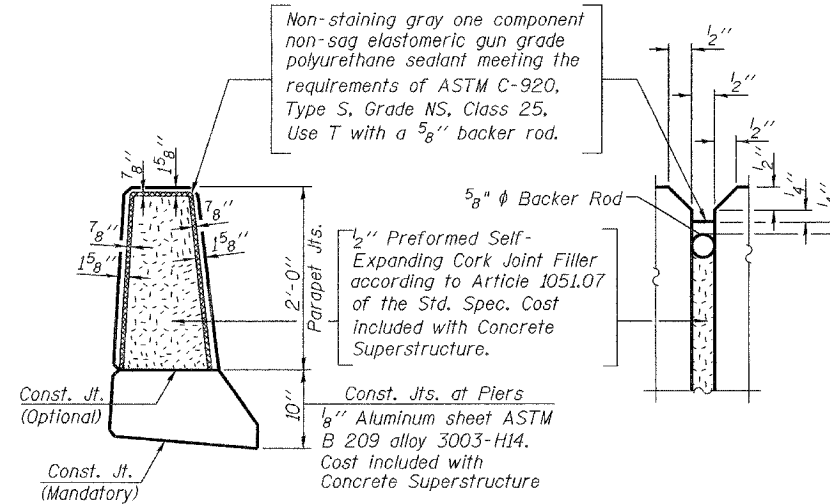
MIN. BAR LAPS

#5 bars = 1'-8"
#8 bars = 3'-5"

INSIDE ELEVATION OF PARAPET



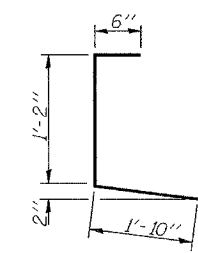
SECTION THRU PARAPET



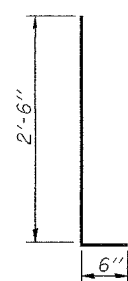
PARAPET JOINT DETAILS

**SUPERSTRUCTURE
BILL OF MATERIAL**

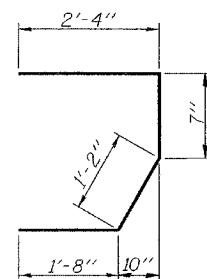
Bar	No.	Size	Length	Shape
a(E)	330	#5	34'-6"	—
a1(E)	248	#5	33'-6"	—
a2(E)	660	#6	6'-0"	—
b(E)	273	#5	30'-10"	—
b1(E)	108	#6	22'-9"	—
b2(E)	248	#5	27'-2"	—
c(E)	452	#5	3'-0"	—
d1(E)	440	#5	2'-5"	┌
d2(E)	452	#4	3'-0"	—
d3(E)	452	#4	3'-6"	┌
d4(E)	12	#5	2'-4"	┌
e(E)	96	#4	20'-11"	—
e1(E)	24	#4	17'-8"	—
e2(E)	8	#8	17'-8"	—
e3(E)	24	#8	30'-6"	—
e4(E)	24	#5	29'-4"	—
e5(E)	8	#5	17'-8"	—
m(E)	4	#6	33'-4"	—
m1(E)	6	#6	34'-9"	—
m2(E)	24	#6	8'-0"	—
m3(E)	10	#6	5'-7"	—
m4(E)	4	#6	2'-7"	—
s(E)	72	#5	5'-9"	┌
s1(E)	62	#4	11'-2"	┌
v(E)	68	#5	3'-4"	┌
Reinforcement Bars, Epoxy Coated		Pound	57370	
Concrete Superstructure		Cu. Yds.	243.0	



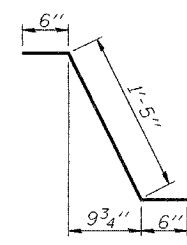
BAR d3(E)



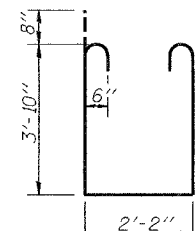
BARS d(E) & d2(E)



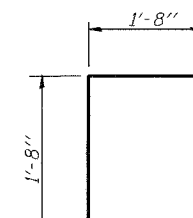
BAR s(E)



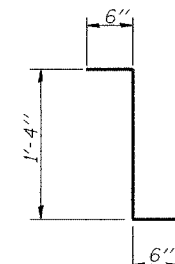
BAR d1(E)



BAR s1(E)



BAR v(E)



BAR d4(E)

SUPERSTRUCTURE DETAILS
F.A.I. RT. 80 SEC. 37-IHBR-1
HENRY COUNTY
STATION 461+73.82
STRUCTURE NO. 037-0171

Reinforcement bars designated (E) shall be epoxy coated.
Bars indicated thus 1 x 3-#5 etc. indicates 1 line of bars with 3 lengths per line.

DESIGNED Michael D. Cima
CHECKED Phillip R. Litchfield
DRAWN R. Sommer
CHECKED MDC/PRL

September 25, 2006
EXAMINED Thomas J. Domagalaki
PASSED Ralph E. Anderson