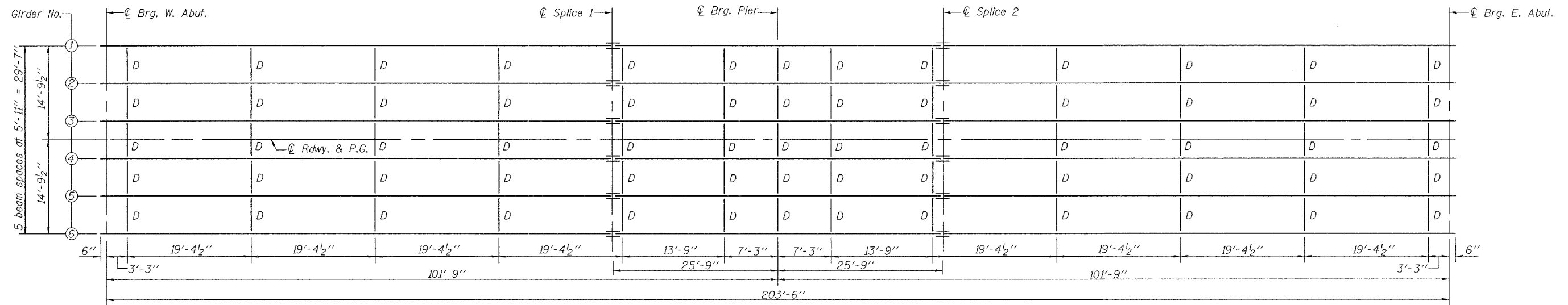


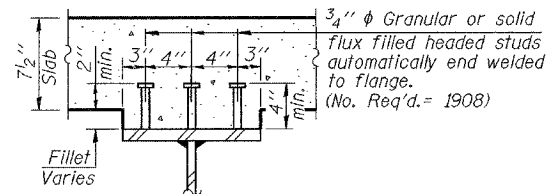
STATE OF ILLINOIS
DEPARTMENT OF TRANSPORTATION

ROUTE NO.	SECTION	COUNTY	TOTAL SHEETS	SHEET NO.	SHEET NO. 8 18 SHEETS
F.A.I. 80	37-IHBR-1	HENRY	133	71	
FED. ROAD DIST. NO. 7	ILLINOIS	FED. AID PROJECT-			

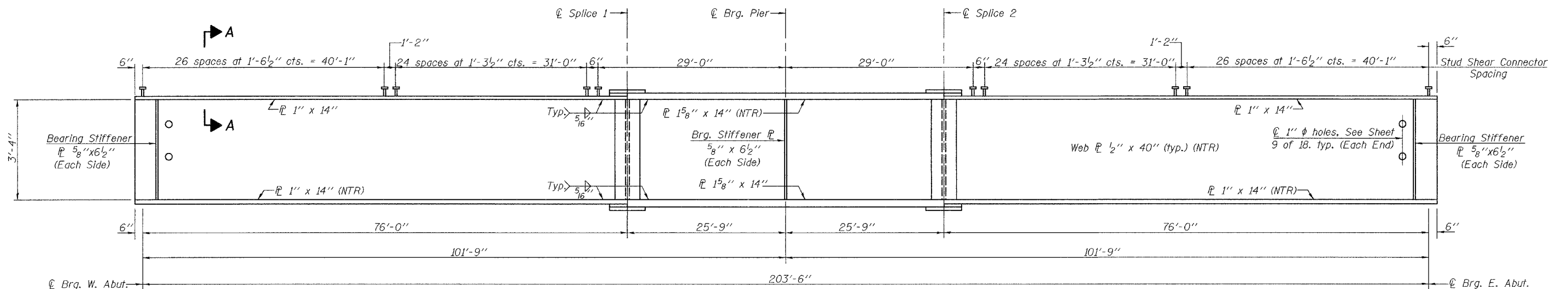
Contract #64602



FRAMING PLAN



SECTION A-A



GIRDER ELEVATION

*TOP OF WEB ELEVATIONS

Location	℄ Brg. W. Abut.	℄ Splice 1	℄ Brg. Pier	℄ Splice 2	℄ Brg. E. Abut.
Girder 1	630.31	630.83	630.89	630.95	630.78
Girder 2	630.42	630.94	631.00	631.06	630.89
Girder 3	630.51	631.03	631.09	631.15	630.98
Girder 4	630.51	631.03	631.09	631.15	630.98
Girder 5	630.42	630.94	631.00	631.06	630.89
Girder 6	630.31	630.83	630.89	630.95	630.78

*For fabrication only.

DESIGNED	Michael D. Cima
CHECKED	Phillip R. Litchfield
DRAWN	R. Sommer
CHECKED	MDC/PRL

EXAMINED	September 25, 2006	Thomas J. Domagala
PASSED		Ralph E. Anderson

Notes: "NTR" denotes plates to which Notch Toughness Requirements are applicable. All plates of the girders, including stiffeners, shall be AASHTO M270 Grade 50. For remainder of structural steel details see sheet 9 of 18.

STRUCTURAL STEEL
F.A.I. RT. 80 SEC. 37-IHBR-1
HENRY COUNTY
STATION 461+73.82
STRUCTURE NO. 037-0171