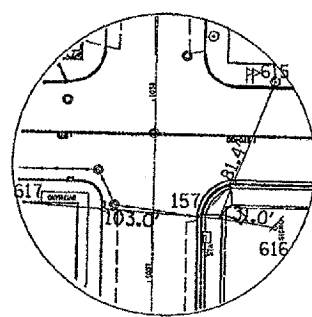
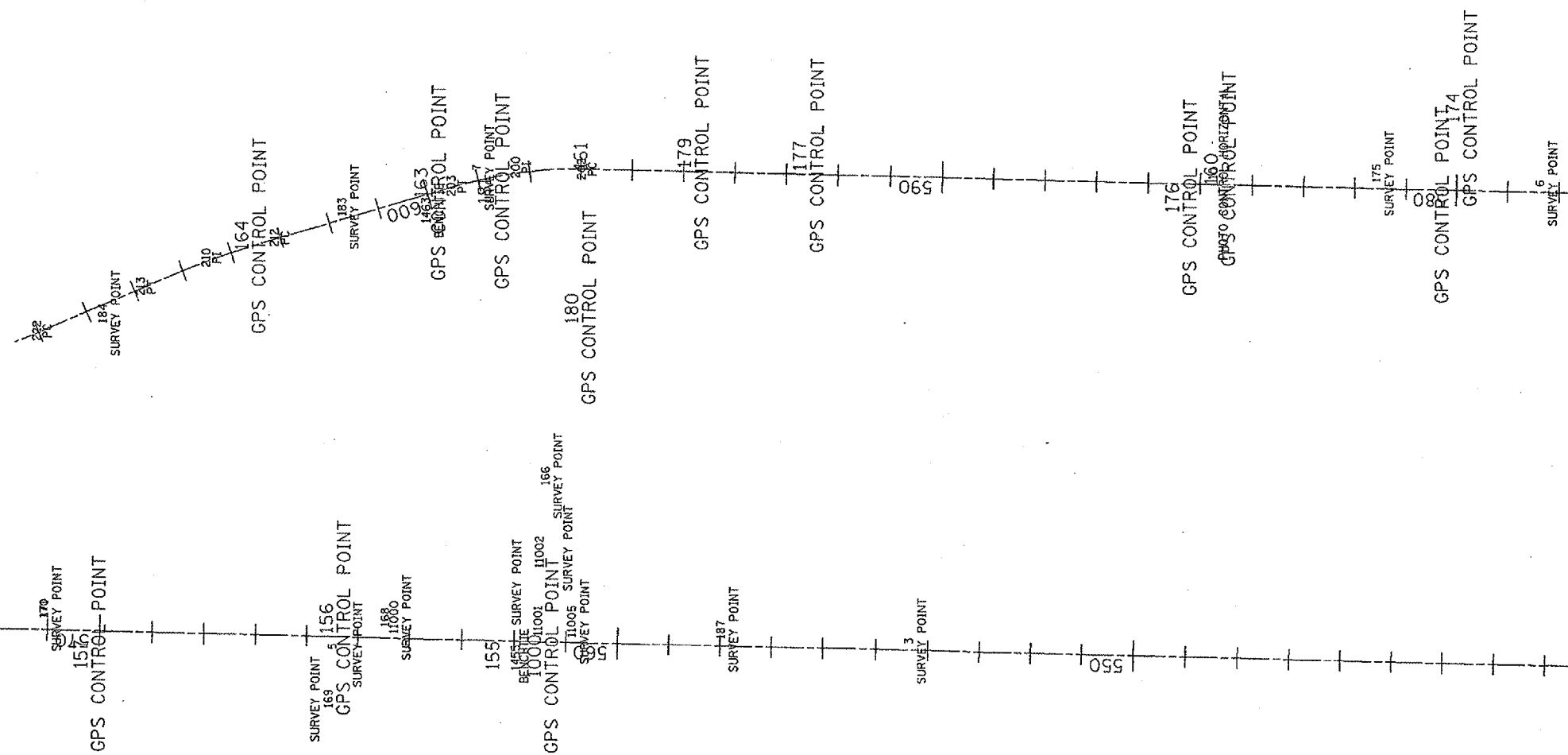


| F.A.P. RFE          | SECTION | COUNTY                    | TOTAL SHEETS | SHEET NO. |
|---------------------|---------|---------------------------|--------------|-----------|
| T42                 | 3TRS-6  | OGLE                      | 69           | 20        |
| STA.                |         | TO STA.                   |              |           |
| FED. ROAD DIST. NO. |         | ILLINOIS FED. AID PROJECT |              |           |

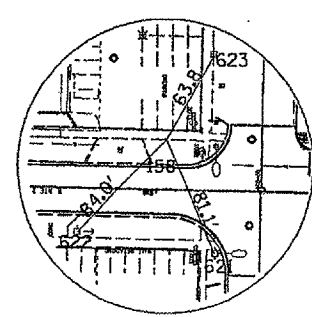
# HORIZONTAL AND VERTICAL CONTROL

EXIST. CURVE 210  
 PI STA = 604+39.2771  
 N = 1,952,259.1620  
 E = 726,565.0430  
 $\Delta = 6^\circ 52' 28.1313''$  (LT)  
 D = 2° 29' 59.9968"  
 R = 2,291.8320'  
 T = 137.6548'  
 L = 274.9793'  
 E = 4.1303'  
 e = -----  
 T.R. = -----  
 S.E. RUN = -----  
 P.C. STA = 603+01.6223  
 N = 1,952,127.4330  
 E = 726,604.9969  
 P.T. STA = 605+76.6016  
 N = 1,952,385.1617  
 E = 726,509.6090

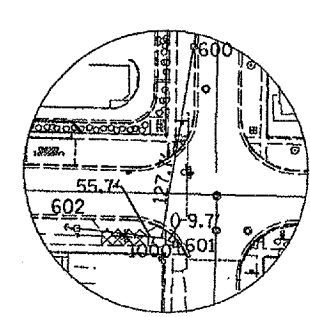
EXIST. CURVE 200  
 PI STA = 598+16.7254  
 N = 1,951,661.4480  
 E = 726,746.3320  
 $\Delta = 17^\circ 45' 27.2343''$  (LT)  
 D = 7° 00' 00.0350"  
 R = 818.5100'  
 T = 127.8647'  
 L = 253.6791'  
 E = 9.9271'  
 e = -----  
 T.R. = -----  
 S.E. RUN = -----  
 P.C. STA = 596+88.8606  
 N = 1,951,533.5985  
 E = 726,744.3575  
 P.T. STA = 599+42.5398  
 N = 1,951,783.8084  
 E = 726,709.2196



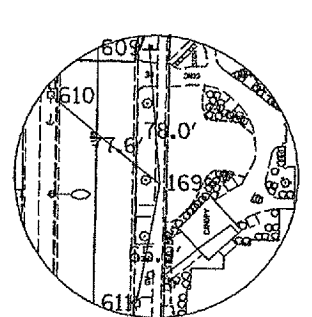
SURVEY WORK POINT No. 157



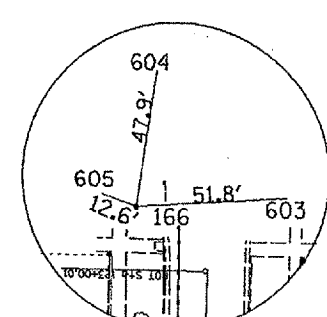
SURVEY WORK POINT No. 158



HORIZONTAL CONTROL POINT No. 1000



SURVEY WORK POINT No. 169



SURVEY WORK POINT No. 166

PLT DATE = Wed Aug 09 14:14:18 2006  
 FILE NAME = \\s01\share\proj\64626\plan\hvc.dgn  
 PLOT SCALE = 80.0000 / 1.0000  
 USER NAME = rjg

| REVISIONS |      |
|-----------|------|
| NAME      | DATE |
|           |      |
|           |      |
|           |      |
|           |      |
|           |      |
|           |      |
|           |      |
|           |      |
|           |      |
|           |      |

ILLINOIS DEPARTMENT OF TRANSPORTATION

SCALE: VERT. \_\_\_\_\_  
 HORIZ. \_\_\_\_\_

DATE \_\_\_\_\_

DRAWN BY \_\_\_\_\_  
 CHECKED BY \_\_\_\_\_