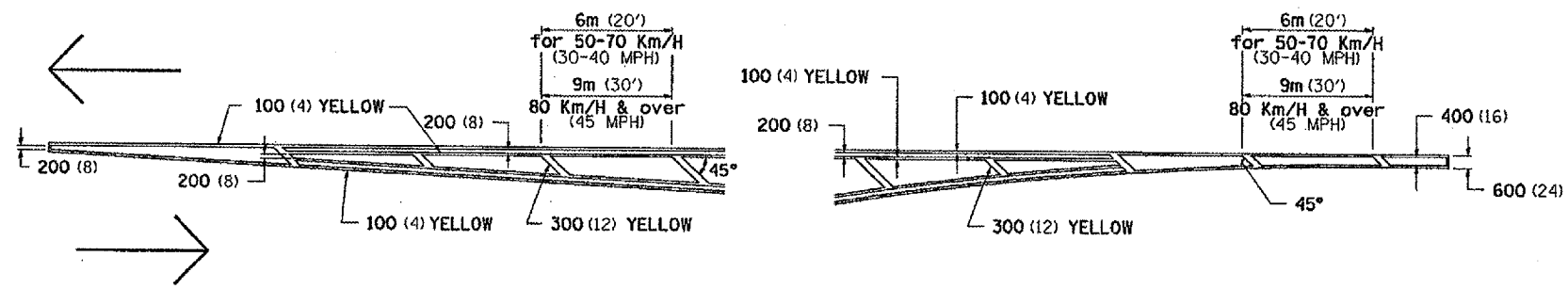


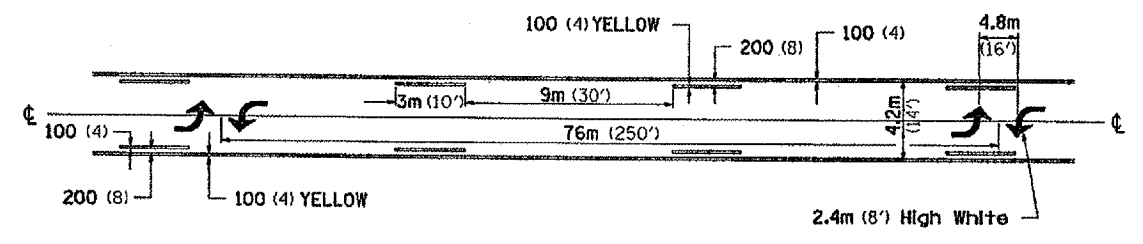
CONTRACT NO. 64626				
F.L.P. RTE.	SECTION	COUNTY	TOTAL SHEETS	SHEET NO.
742	3TRS-6	OSLE	69	52
STA. 00LE	TO STA. 00LE			
FED. ROAD DIST. NO.	ILLINOIS	FED. AID PROJECT		

TYPICAL PAVEMENT MARKINGS

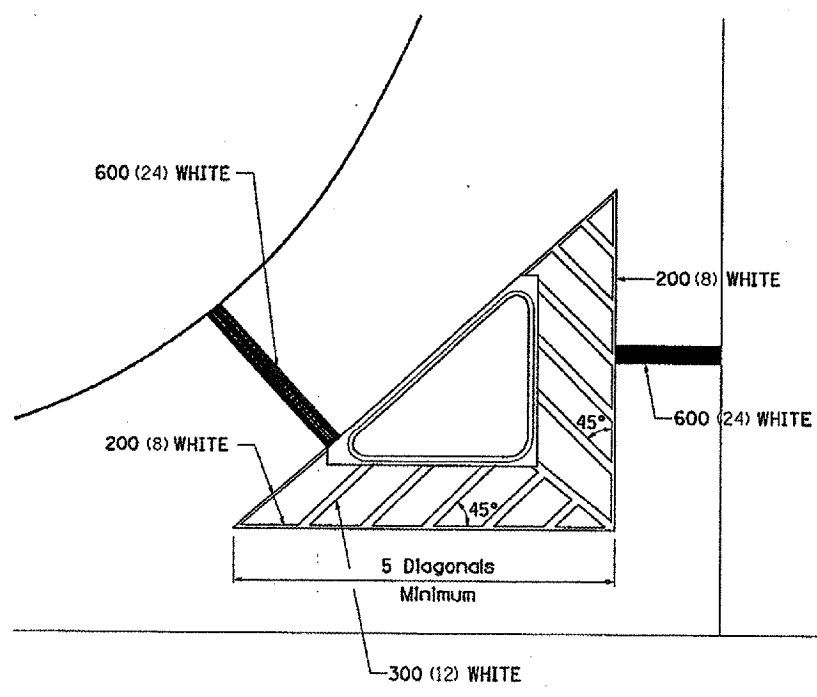
TYPICAL PAVEMENT MARKING FOR FLUSH MEDIAN AT LEFT TURN LANE



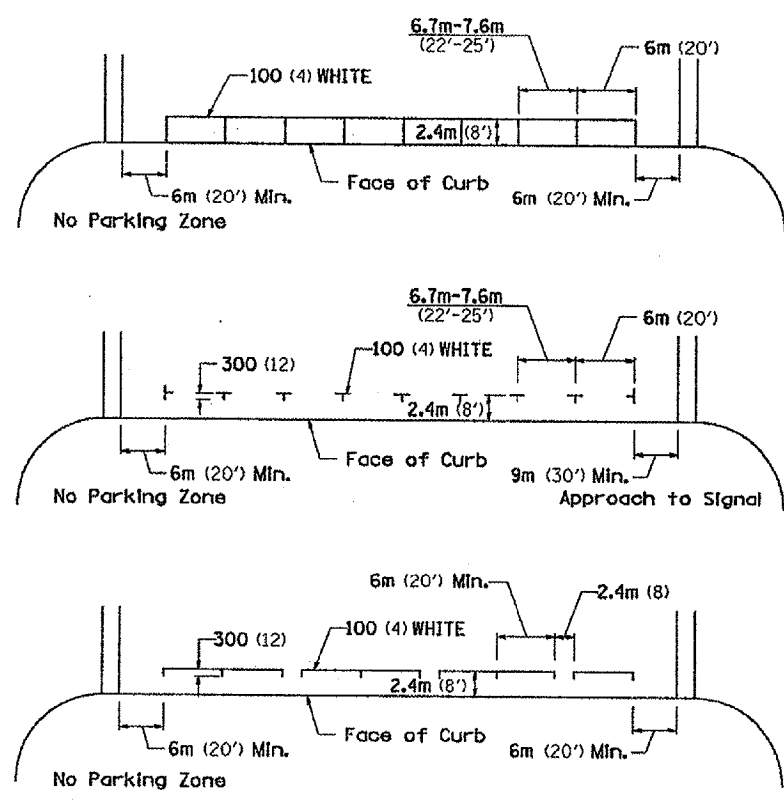
MEDIAN PAVEMENT MARKING



TYPICAL ISLAND OFFSET SHOULDER WIDTH



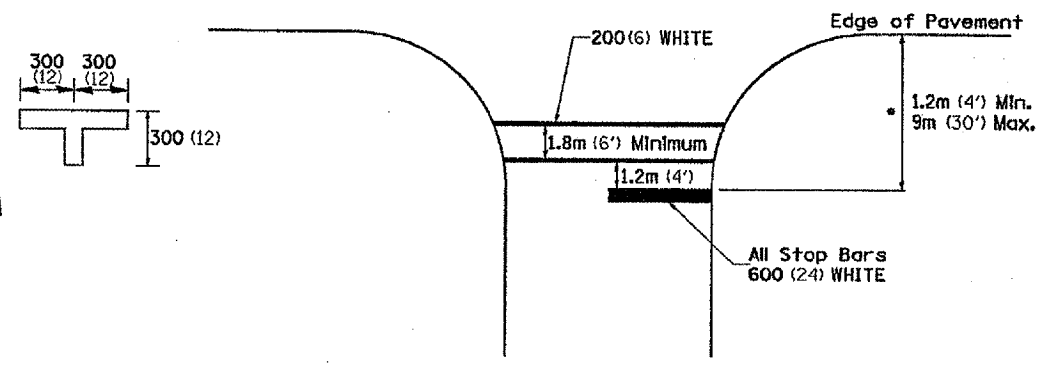
TYPICAL PARKING SPACING



** ALL DIMENSIONS ARE IN MILLIMETERS (INCHES) UNLESS OTHERWISE NOTED.

STANDARD CROSSWALK MARKING

See Schedules for Locations



* Distance to the nearest edge of the intersecting roadway in the absence of a marked crosswalk.

PLUT DATE: 14 Aug 01 14:08:07 2008
 FILE NAME: c:\p\proj\64626\100\dlr\001001.dgn
 PLOT SCALE: 80.0000 / 1" = 100'
 REFERENCE: 010100